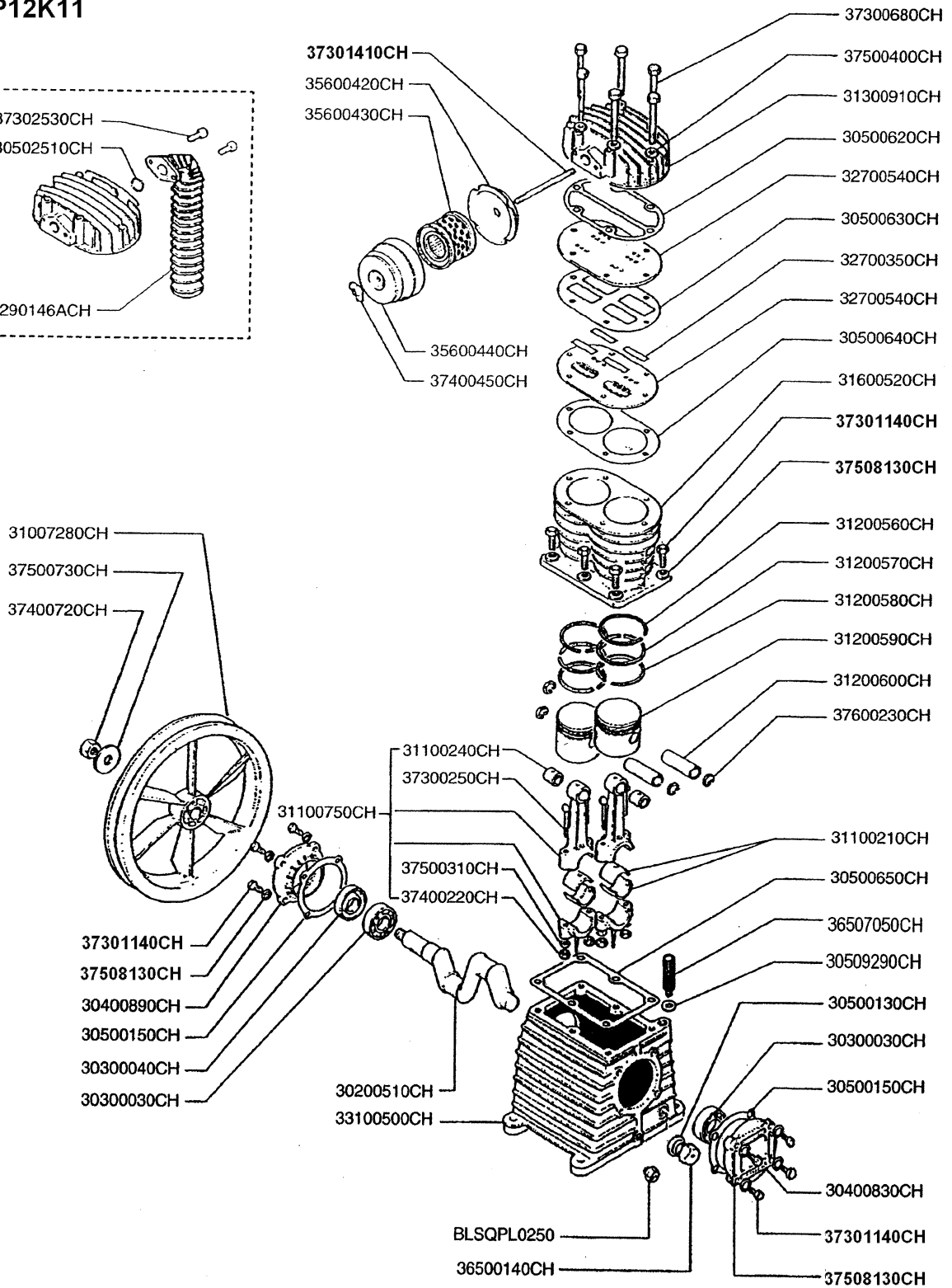
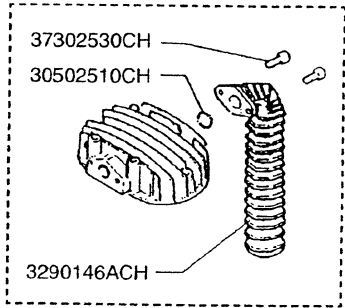


ROLAIR

SCHEMATIC FOR
PMP12K11





ROLAIR
S Y S T E M S
PARTS LIST FOR PMP12K11

Description	Part #	Qty.
Crankshaft	30200510CH	1
Bearing	30300030CH	2
Oil Seal	30300040CH	1
Bearing Carrier	30400830CH	1
Bearing Carrier	30400890CH	1
Gasket	30500130CH	1
Gasket	30500150CH	2
Gasket	30500620CH	1
Gasket	30500630CH	1
Gasket	30500640CH	1
Gasket	30500650CH	1
O-Ring	30509290CH	1
Flywheel	31007280CH	1
Bearing Shell	31100210CH	2
Bushing*	31100240CH	2
Connecting Rod w/Upper Bushing	31100750CH	2
Ring	31200560CH	2
Ring	31200570CH	2
Ring	31200580CH	2
Piston	31200590CH	2
Piston Pin	31200600CH	2
Head	31300910CH	1
Cylinder	31600520CH	1
Valve	32700350CH	4
Valve Plate	32700540CH	2
Crankcase	33100500CH	1
Filter Base	35600420CH	1
Filter Element	35600430CH	1
Filter Cover	35600440CH	1
Sight Gauge	36500140CH	1
3/8" Breather/Oil Fill Plug	36507050CH	1
Bolt	37301140CH	14
Bolt	37300250CH	4
Tension Rod	37301410CH	1
Bolt	37300680CH	6
Nut	37400220CH	4
Wing Nut	37400450CH	1
Nut	37400720CH	1
Washer	37500310CH	4
Washer	37508130CH	14
Washer	37500400CH	6
Washer	37500730CH	1
Snap Ring	37600230CH	4
Plug	BLSQPL0250	1
Ring Set	K11RINGS	1
Gasket Set	K11GASKETS	1
Valve Plate Assembly	1100VK11	1
OPTIONS- O-Ring	30502510CH	1
Aftercooler	3290146ACH	1
Bolt	37302530CH	2
NOTE: Gasket for "old-style" option	30501490CH	1

*Bushing is not machined to fit piston pin if ordered separate from connecting rod.