

POWERMATIC®

Operating Instructions and Parts Manual 10-inch Cabinet Saw Model PM2000B

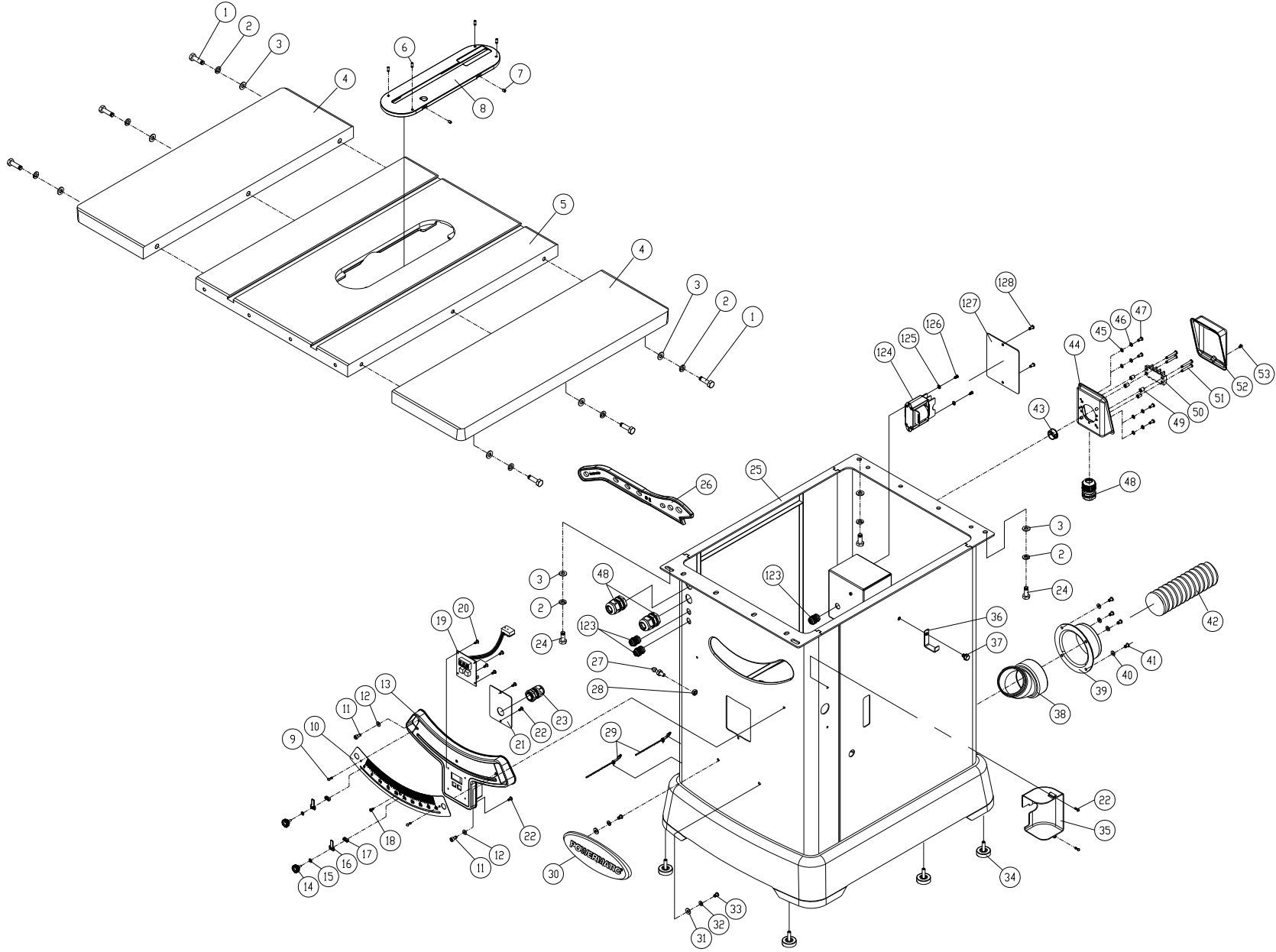


Shown with 30-inch rail set

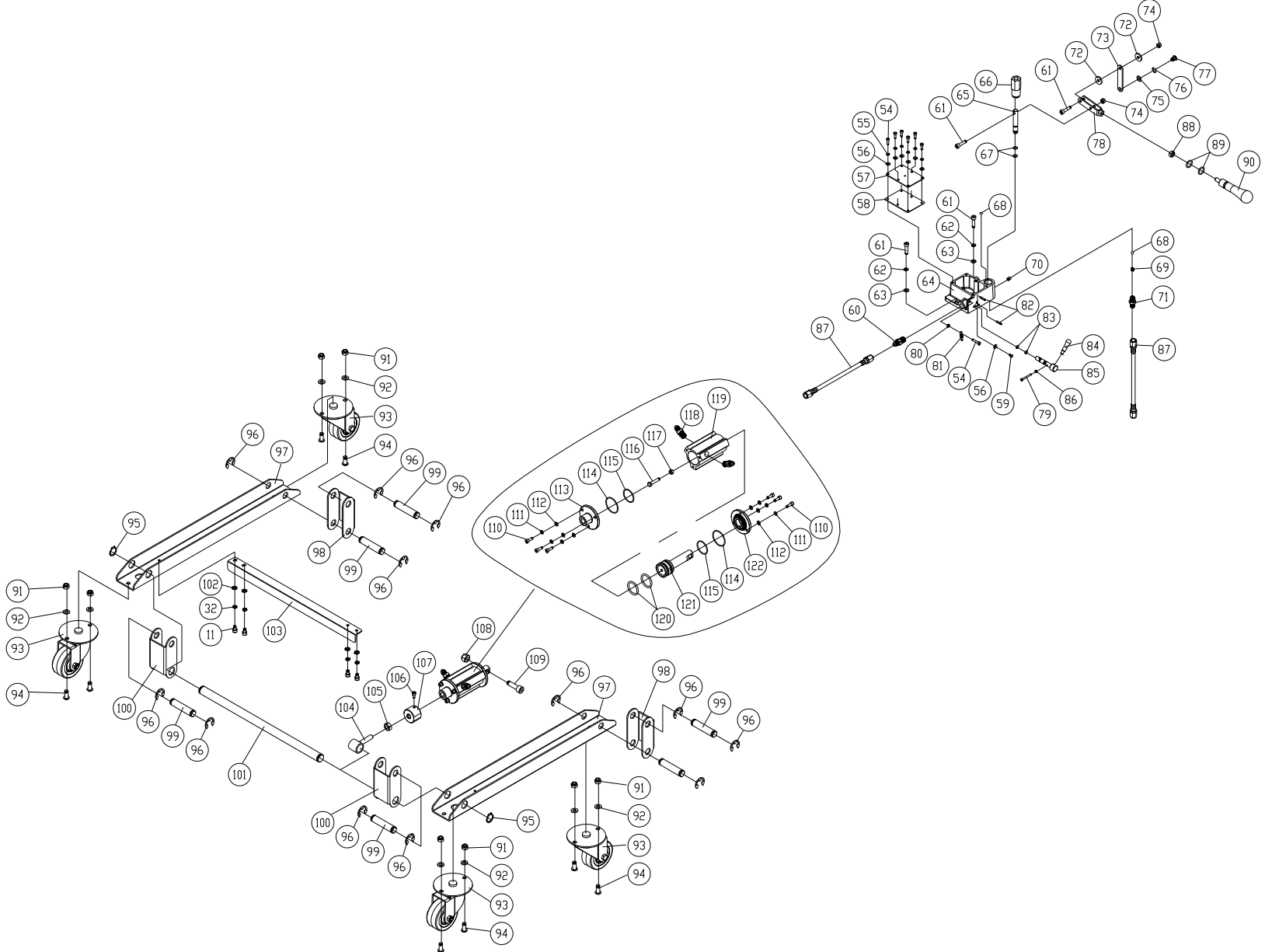
Powermatic
427 New Sanford Road
LaVergne, Tennessee 37086
Ph.: 800-274-6848
www.powermatic.com

Part No. M-PM231B
Edition 1 09/2017
Copyright © 2017 Powermatic

14.1.1 PM2000B Table and Cabinet Assembly I – Exploded View



14.1.2 PM2000B Table and Cabinet Assembly II – Exploded View



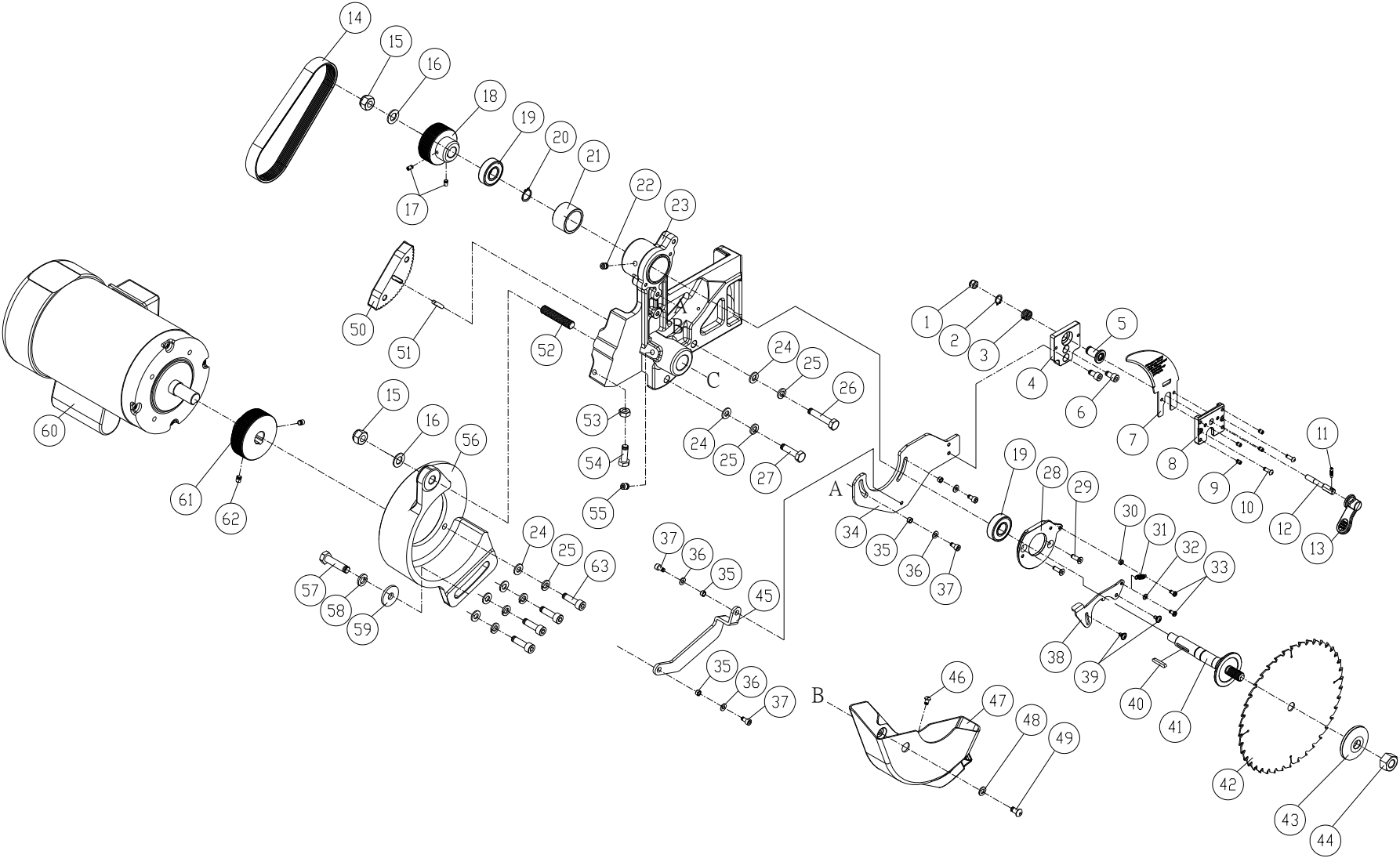
14.1.3 PM2000B Table and Cabinet Assembly – Parts List

Index No	Part No	Description	Size	Qty
1	TS-149105	Hex Cap Screw	M10-1.5 x 35L	6
2	TS-2361101	Lock Washer	M10	10
3	TS-1550071	Flat Washer	10 x 20 x 2.0T	10
4	PM2000B-104	Extension Table		2
5	PM2000B-105	Table		1
6	F010395L	Soc Set Screw CPP w/thrdlckr	M5-0.8 x 12L	4
7	PM2000B-107	Plunger		2
8	PM2000B-108	Table Insert		1
9	PM2000B-109	Phillips Socket HD Tapping Screw	M4-1.41P x 12L	2
10	PM2000B-110	Tilt Angle Scale		1
11	TS-1503031	Socket Head Cap Screw	M6-1.0 x 12L	6
12	TS-1550041	Flat Washer	6.2 x 13 x 1.5T mm	2
13	PM2000B-113	Scale Base w/Label		1
14	PM2000B-114	Angle Reference Knob		2
15	TS-1550031	Flat Washer	5.2 x 10 x 1.0T mm	2
16	PM2000B-116	Specific Angle Reference		2
17	PM2000B-117	Special Nut		2
18	PM2000B-118	Phillips Flat HD Tapping Screw	M4-1.41P x 10L	1
19	PM2000B-119	Sensor Assembly		1
20	PM2000B-120	Phillips Pan HD Tapping Screw	M3 x 1.06P x 10L	4
21	PM2000B-121	DRO Box Cover		1
22	PM2000B-122	Phillips Round HD Tapping Screw	M4 x 1.41P x 10L	5
23	PM2000B-123	Strain Relief	PGA16-14B	1
24	TS-1491031	Hex Cap Screw	M10-1.5 x 25L	4
25	PM2000B-125	Cabinet (for 3HP 1PH and 5HP 1PH)		1
	PM2000B-125A	Cabinet (for 5HP 3PH)		1
26	PM2000B-126	Push Stick		1
27	PM2000B-127	Peg		1
28	TS-2311081	Hex Nut	M8-1.25	1
29	PM2000B-129	Cable Tie		2
30	PM2000B-130	Powermatic Logo		1
31	TS-1550041	Flat Washer	6.7 x 16 x 2.0T mm	2
32	TS-0720071	Lock Washer	1/4"	6
33	PM2000B-133	Phillips Round HD Machine Screw	1/4"-20UNC x 3/8"L	2
34	PM2000B-134	Leveling Foot		4
35	PM2000B-135	Sensor Assembly Cover		1
36	PM2000B-136	Hanger		1
37	PM2000B-137	Hex Cap Screw w/Flat Washer	M8-1.25 x 12L	1
38	PM2000B-138	Dust Chute Adaptor		1
39	PM2000B-139	Dust Port		1
40	TS-1550041	Flat Washer	6.2 x 13 x 1.5T mm	4
41	TS-2246122	Socket Head Button Screw	M6-1.0 x 12L	4
42	PM2000B-142	Dust Hose		1
43	PM2000B-143	Grommet		1
44	PM2000B-144	Terminal Box		1
45	F002097	Lock Washer, Ext Tooth	M5	4
46	TS-1550031	Flat Washer	5.3 x 10 x 2.0T mm	4
47	TS-1533042	Phillips Pan HD Machine Screw	M5-0.8 x 12L	4
48	PM2000B-148	Strain Relief (only for 3HP, 1PH)	MG25AS-14B	1
	PM2000B-148A	Strain Relief (only for 5HP, 1PH & 5HP, 3PH)	MG25A-18B	1
49	PM2000B-149	Spacer		4
50	PM2000B-150	Terminal Plate		1
51	F001221	Phillips Pan HD Machine Screw	M5-0.8 x 35L	4
52	PM2000B-152	Terminal Box Cover		1
53	F000648	Phillips Pan HD Machine Screw	#10-24UNC x 1/4L	1
54	TS-1501041	Socket Head Cap Screw	M4-0.7 x 12L	7
55	TS-2361041	Lock Washer	M4	6
56	TS-1550021	Flat Washer	4.3 x 10 x 1.0T mm	7
57	PM2000B-157	Oil Tank Cover		1
58	PM2000B-158	Gasket		1

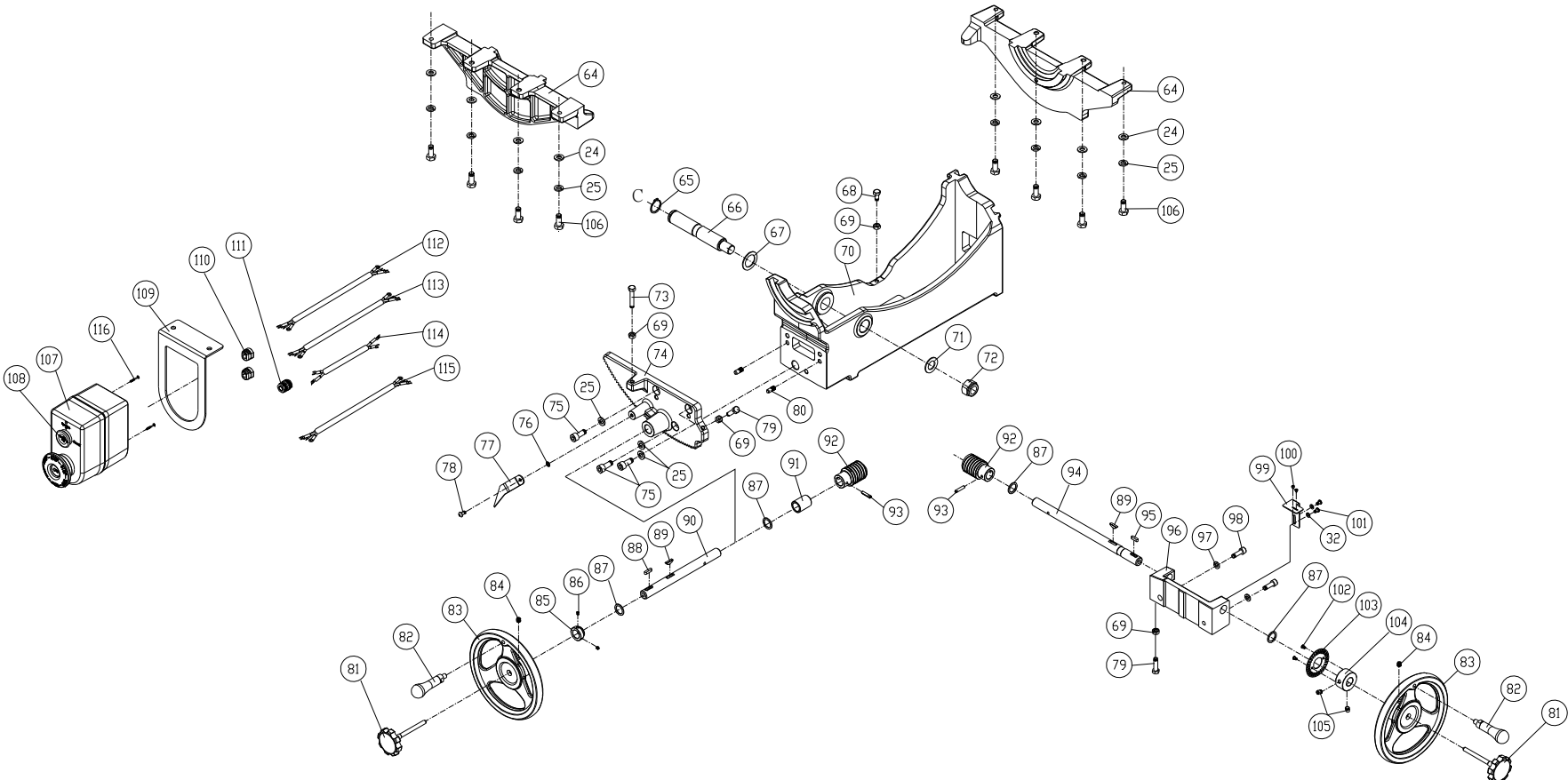
Index No	Part No	Description	Size	Qty
59	F009923	Socket Head Button Screw	M4-0.7 x 6L	1
60	PM2000B-160	Oil Hose Fitting	PT1/4" x PH1/4"	1
61	TS-1503061	Socket Head Cap Screw	M6-1.0 x 25L	4
62	TS-1551041	Lock Washer	M6	2
63	TS-1550041	Flat Washer	6.4 x 11.5 x 1.6T mm	2
64	PM2000B-164	Oil Tank		1
65	PM2000B-165	Pump Shaft		1
66	PM2000B-166	Pump Shaft Sleeve		1
67	JMS10SCMS-43	O-Ring	P7	2
68	SB-6MM	Steel Ball	6 Dia.	2
69	PM2000B-169	Compression Spring		1
70	TS-2276081	Socket Set Screw	M6-1.0 x 8L	1
71	PM2000B-171	Oil Hose Fitting	TH1/4" x TH1/4"	1
72	TS-1550041	Flat Washer	6.2 x 20 x 3.0T mm	2
73	PM2000B-173	Linkage		1
74	TS-1541021	Nylon Lock Hex Nut	M6-1.0	2
75	TS-1541031	Flat Washer	8.5 x 16 x 1.0T mm	1
76	JMS10SCMS-37	Wave Washer	WW-8	1
77	PM2000B-177	Shoulder Screw		1
78	PM2000B-178	Linkage		1
79	F005344	Socket Head Cap Screw	M3-0.5 x 20L	1
80	TS-1540021	Hex Nut	M4-0.7	1
81	PM2000B-181	Tension Spring		1
82	F012097	Roll Pin	3 x 16mm	2
83	CK350-722	O-Ring	P5	2
84	PM2000B-184	Knob		1
85	PM2000B-185	Oil Release Shaft		1
86	TS-1540011	Hex Nut	M3-0.5	1
87	PM2000B-187	Oil Hose Assembly		2
88	TS-1540061	Hex Nut	M8-1.25	1
89	5784696	O-Ring	P15	2
90	PM2000B-190	Pump Handle		1
91	TS-1541031	Nylon Lock Hex Nut	M8-1.25	8
92	TS-1550061	Flat Washer	8 x 16 x 1.6T mm	8
93	PM2000B-193	Caster		4
94	TS-2248202	Socket Head Button Screw	M8-1.25 x 20L	8
95	F006047	C-Retaining Ring, Ext	STW-20	2
96	F006088	E-Retaining Ring	ETW-15	12
97	PM2000B-197	Linkage		2
98	PM2000B-198	Drive Caster Bracket		2
99	PM2000B-199	Pivot		6
100	PM2000B-1100	Driven Caster Bracket		2
101	PM2000B-1101	Connection Rod		1
102	TS-1550041	Flat Washer	6.3 x 13 x 1.0T mm	4
103	PM2000B-1103	Brace		1
104	PM2000B-1104	Connecting Collar		1
105	TS-2311121	Hex Nut	M12-1.75	1
106	F005363L	Socket Hd Cap Screw w/thrdlckr	M5-0.8 x 10L	1
107	PM2000B-1107	Special Nut		1
108	TS-2342101	Nylon Lock Hex Nut	M10-1.5	1
109	TS-1505061	Socket Head Cap Screw	M10-1.5 x 40L	1
	PM2000B-HCA	Hydraulic Cylinder Assembly (includes #110 thru #122)		1
110	HVBS710SG-314	Socket Head Cap Screw	M5-0.8 x 15L	6
111	TS-1551031	Lock Washer	M5	6
112	TS-1550031	Flat Washer	5.2 x 10 x 1.0T mm	6
113	PM2000B-1113	Non-drive End Bell		1
114	PM2000B-1114	O-Ring	AS029	2
115	PM2000B-1115	O-Ring	AS026	2
116	TS-1482061	Hex Cap Screw	M6-1.0 x 30L	1
117	TS-2311061	Hex Nut	M6-1.0	1
118	PM2000B-1118	Oil Hose Fitting	PT1/4" x PH1/4"	2
119	PM2000B-1119	Hydraulic Cylinder		1

Index No	Part No	Description	Size	Qty
120	PM2000B-1120	O-Ring	P29	2
121	PM2000B-1121	Piston		1
122	PM2000B-1122	Drive End Bell		1
123	PM2000B-1123	Strain Relief	MGB16-10B	3
124	PM2000B-1124	Transformer Assembly w/ Fuse		1
125	TS-1550021	Flat Washer	4.3 x 10 x 1.0T mm	2
126	TS-2284082	Phillips Pan HD Machine Screw	M4-0.7 x 8L	2
127	PM2000B-1127	Transformer Box Cover		1
128	F009884	Socket Head Button Screw	M5-0.8 x 8L	2
129	PM2000B-1129	Fuse	2A x 250V	2
	LM000304	Warning Label (not shown)		1
	LM000305	ID Label, PM2000B, 3HP 1PH (not shown)		1
	LM000312	ID Label, PM2000B, 5HP 1PH (not shown)		1
	LM000313	ID Label, PM2000B, 5HP 3PH (not shown)		1
	CL-HV	Caution Label - High Voltage (not shown)		2
	PM2000B-1133	Black Stripe (not shown)	1"W	per ft.
	LM000307	Label - Caster Lift (not shown)		1
	LM000308	Label - Caster Lower (not shown)		1

14.2.1 PM2000B Motor and Trunnion Assembly I – Exploded View



14.2.2 PM2000B Motor and Trunnion Assembly II – Exploded View



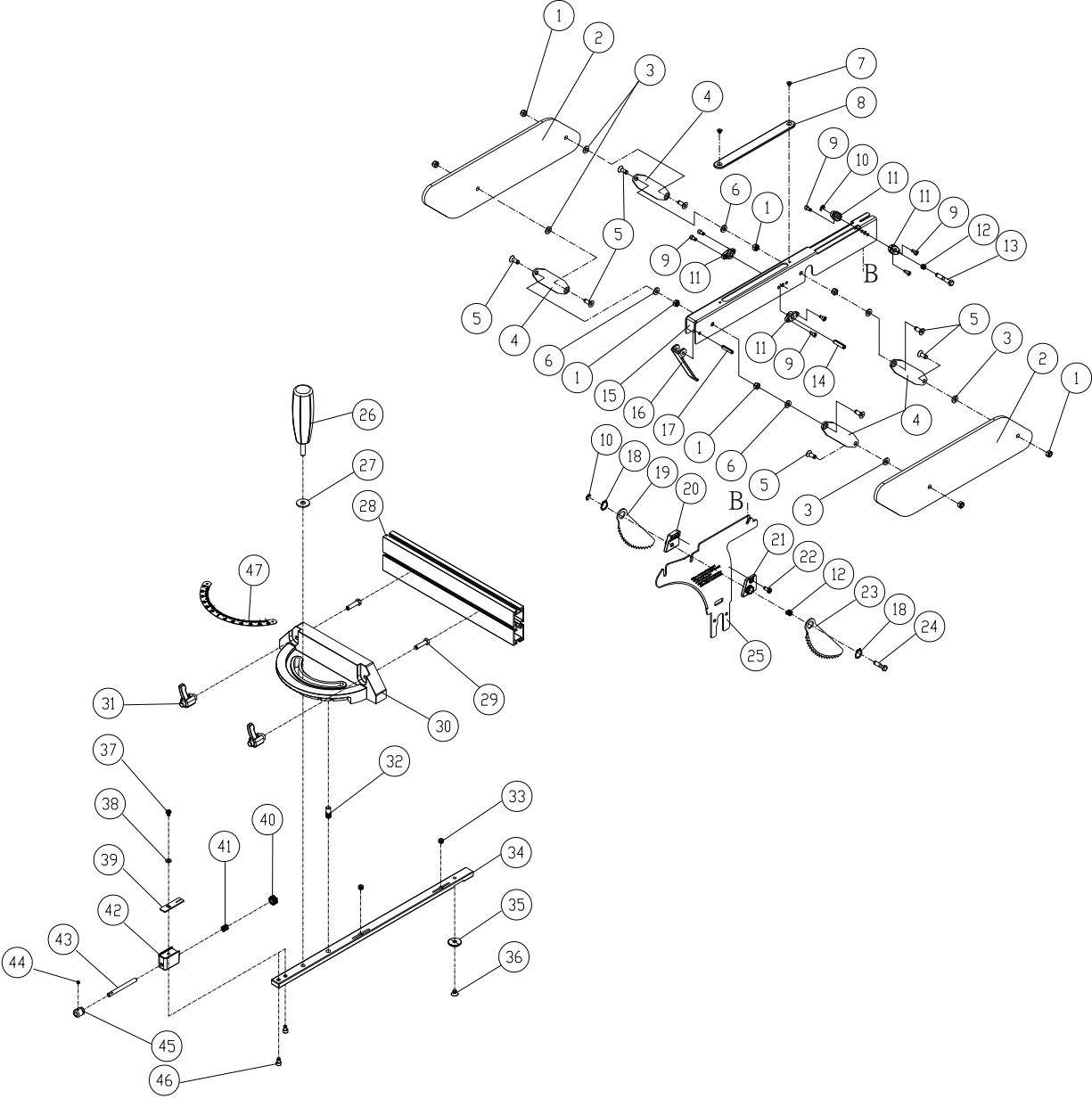
14.2.3 PM2000B Motor and Trunnion Assembly – Parts List

Index No	Part No	Description	Size	Qty
1	TS-1541031	Nylon Lock Hex Nut	M8-1.25	1
2	F006042	C-Retaining Ring, Ext	STW-14	1
3	PM2000B-203	Compression Spring		1
4	PM2000B-204	Riving Knife Fixed Base		1
5	PM2000B-205	Clamping Block		1
6	TS-1504031	Socket Head Cap Screw	M8-1.25 x 16L	2
7	PM2000B-207	Low Profile Riving Knife	0.1"(2.5mm) thk	1
8	PM2000B-208	Riving Knife Clamp Plate		1
9	TS-2276081	Socket Set Screw	M6-1.0 x 8L	4
10	TS-2245162	Socket Head Button Screw	M5-0.8 x 16L	2
11	PM2000B-211	Solid Pin		1
12	PM2000B-212	Shaft		1
13	PM2000B-213	Lever		1
14	VB-220J10	Poly-V Belt	220J-10	1
15	TS-2342141	Nylon Lock Hex Nut	M14-2.0	2
16	TS-155009	Flat Washer	14.2 x 26 x 2T mm	2
17	F010401L	Soc Set Scrw CPP w/thrdlckr	M6-1.0 x 8L	2
18	PM2000B-218	Arbor Pulley		1
19	BB-6204VV	Ball Bearing	6204VV	2
20	F006047	C-Retaining Ring, Ext	STW-20	1
21	PM2000B-221	Bushing		1
22	F010414L	Socket Set Screw CPP w/thrdlckr	M10-1.5 x 10L	1
23	PM2000B-223	Bearing Arm		1
24	TS-1550071	Flat Washer	10 x 20 x 2.0T mm	14
25	TS-2361101	Lock Washer	M10	17
26	JTS315PST-08	Hex Cap Screw	M10-1.5 x 55L	1
27	TS-1491061	Hex Cap Screw	M10-1.5 x 40L	1
28	PM2000B-228	Fixed Plate		1
29	TS-2286201	Phillips Flat HD Machine Screw	M6-1.0 x 20L	2
30	TS-1540031	Hex Nut	M5-0.8	1
31	PM2000B-231	Tension Spring		1
32	TS-1550031	Flat Washer	5.3 x 10 x 2.0T mm	3
33	F001208L	Pan HD Mach Scrw w/thrdlckr	M5-0.8 x 8L	2
34	PM2000B-234	Riving Knife Extension Plate		1
35	PM2000B-235	Bushing		4
36	TS-1550041	Flat Washer	6.3 x 13 x 1.0T mm	4
37	F005267L	Soc Hd Cap Screw w/thrdlckr	M6-1.0 x 12L	4
38	PM2000B-238	Spindle Lock		1
39	PM2000B-239	Shoulder Screw		2
40	6291479	Flat Key, Dbl Rd Hd	5 x 5 x 30mm	1
41	PM2000B-241	Arbor		1
42	PM2000B-242	Saw Blade	10" 40T 5/8A ATB	1
43	PM2000B-243	Flange		1
44	PM2000B-244	Nut		1
45	PM2000B-245	Link		1
46	F009893L	Soc Hd Button Screw w/thrdlckr	M6-1.0 x 10L	1
47	PM2000B-247	Dust Chute		1
48	TS-1550061	Flat Washer	8.5 x 16 x 1.5T mm	1
49	TS-2248162	Socket Head Button Screw	M8-1.25 x 16L	1
50	PM2000B-250	Elevation Gear Block		1
51	DT45-110	Flat Key, Dbl Rd Hd	6 x 6 x 30 mm	1
52	PM2000B-252	Socket Set Screw	M14-2.0 x 70L	1
53	TS-2311101	Hex Nut	M10-1.5	1
54	TS-1491041	Hex Cap Screw	M10-1.5 x 30L	1
55	F010418L	Soc Set Screw CPP w/thrdlckr	M10-1.5 x 25L	1
56	PM2000B-256	Motor Rotation Bracket		1
57	TS-1492051	Hex Cap Screw	M12-1.75P x 50L	1
58	TS-2361121	Lock Washer	M12	1
59	PM2000B-259	Flat Washer	13 x 28 x 3.0T mm	1

Index No	Part No	Description	Size	Qty
60	PM2000B-260	Motor	3HP 230V 60Hz 1PH	1
	PM2000B-260SC	Starting Capacitor	400MFD 125VAC	1
	PM2000B-260RC	Running Capacitor	40µF 350VAC	1
	PM2000B-260CC	Capacitor Cover		2
	PM2000B-260F	Fan		1
	PM2000B-260FC	Fan Cover		1
	PM2000B-260CS	Centrifugal Switch		1
	LM000316	Motor Label, PM2000B (3HP 1PH)		1
	PM2000B-260A	Motor	5HP 230V 60Hz 1PH	1
	PM2000B-260ASC	Starting Capacitor	400MFD 250VAC	1
	PM2000B-260ARC	Running Capacitor	30µF 500VAC	1
	PM2000B-260CC	Capacitor Cover		1
	PM2000B-260ARCC	Running Capacitor Cover		1
	PM2000B-260AF	Fan		1
	PM2000B-260AFC	Fan Cover		1
	PM2000B-260CS	Centrifugal Switch		1
	LM000317	Motor Label, PM2000B (5HP 1PH)		1
	PM2000B-260B	Motor	5HP 230/460V 60Hz 3PH	1
	PM2000B-260F	Fan		1
	PM2000B-260FC	Fan Cover		1
	LM000318	Motor Label, PM2000B (5HP 3PH)		1
61	PM2000B-261	Motor Pulley		1
62	PM2000B-262	Soc Set Screw CPP w/thrdlckr	M8-1.25 x 20L	2
63	TS-1505051	Socket Head Cap Screw	M10-1.5 x 35L	4
64	PM2000B-264	Trunnion		2
65	F006051	C-Retaining Ring, Ext	STW-28	1
66	PM2000B-266	Shaft		1
67	PM2000B-267	Nylon Washer		1
68	TS-1490021	Hex Cap Screw	M8-1.25 x 16L	1
69	TS-2311081	Hex Nut	M8-1.25	4
70	PM2000B-270	Center Trunnion		1
71	PM2000B-271	Flat Washer	21 x 38 x 3T mm	1
72	PM2000B-272	Nylon Lock Hex Nut	M20-1.5P	1
73	TS-1490081	Hex Cap Screw	M8-1.25 x 45L	1
74	PM2000B-274	Tilt Gear Block		1
75	TS-1505031	Socket Head Cap Screw	M10-1.5 x 25L	3
76	JWBS10OS-107	Lock Washer Ext Tooth	M6	1
77	PM2000B-277	Angle Pointer		1
78	TS-2246122	Socket Head Button Screw	M6-1.0 x 12L	1
79	TS-1490051	Hex Cap Screw	M8-1.25 x 30L	2
80	PM2000B-280	Roll Pin		2
81	PM2000B-281	Locking Knob		2
82	PM2000B-282	Handle		2
83	PM2000B-283	Handwheel		2
84	F010052L	Soc Set Screw CPP w/thrdlckr	5/16"-18UNC x 5/16"	2
85	PM2000B-285	Collar		1
86	F010449L	Soct Set Screw CPP w/thrdlckr	M5-0.8 x 5L	2
87	PM2000B-287	Nylon Washer	19.1 x 25.4 x 1.6T mm	4
88	5509207	Flat Key, Dbl Rd Hd	5 x 5 x 20mm	1
89	PM2000B-289	Woodruff Key		2
90	PM2000B-290	Elevation Handwheel Shaft		1
91	PM2000B-291	Bushing		1
92	PM2000B-292	Worm Shaft		2
93	F012076	Roll Pin	5 x 30mm	2
94	PM2000B-294	Tilt Handwheel Shaft		1
95	5783961	Flat Key, Dbl Rd Hd	5 x 5 x 18mm	1
96	PM2000B-296	Tilt Worm Shaft Base		1
97	TS-2361081	Lock Washer	M8	2
98	TS-1504061	Socket Head Cap Screw	M8-1.25 x 30L	2
99	PM2000B-299	Bracket		1
100	PM2000B-2100	Phillips Pan HD Tapping Screw	M3-1.06 x 6L	2
101	F001208	Phillips Pan HD Machine Screw	M5-0.8 x 8L	2

Index No	Part No	Description	Size	Qty
102	TS-2171012	Phillips Pan HD Machine Screw	M4-0.7 x 6L	2
103	PM2000B-2103	Induction Disc		1
104	PM2000B-2104	Collar		1
105	F010408L	Soc Set Screw CPP w/thrdlckr	M8-1.25 x 10L	2
106	TS-1491031	Hex Cap Screw	M10-1.5 x 25L	8
107	PM2000B-2107	Magnetic Switch Assembly	3HP 230V 60Hz 1PH	1
	PM2000B-2107OR	Overload Relay	NTH14	1
	PM2000B-2107A	Magnetic Switch Assembly	5HP 230V 60Hz 1PH	1
	PM2000B-2107AOR	Overload Relay	NTH21	1
	PM2000B-2107B	Magnetic Switch Assembly	5HP 230/460V 60Hz 3PH	1
	PM2000B-2107BOR	Overload Relay (230V)	NTH15	1
	PM2000B-2107BORA	Overload Relay (460V)	NTH8	1
108	PM2000B-2108	Safety Key		1
109	PM2000B-2109	Switch Plate		1
110	PM2000B-2110	Strain Relief (3HP, 1PH)	SR-7R3	2
	PM2000B-2110A	Strain Relief (5HP, 1PH & 5HP, 3PH)	SR-8R3	2
111	PM2000B-2111	Strain Relief (3HP, 1PH & 5HP, 1PH)	MGB16-10B	1
	PM2000B-2111A	Strain Relief (5HP, 3PH)	MGB16-10B	2
112	PM2000B-2112	Motor Cable	SJT 12AWG x 3C x 1900mm	1
	PM2000B-2112A	Motor Cable	SJT 10AWG x 3C x 1900mm	1
	PM2000B-2112B	Motor Cable	ST 12AWG x 4C x 1900mm	1
113	PM2000B-2113	Power Cable	SJT 12AWG x 3C x 2000mm	1
	PM2000B-2113A	Power Cable	SJT 10AWG x 3C x 2000mm	1
	PM2000B-2113B	Power Cable	ST 12AWG x 4C x 2000mm	1
114	PM2000B-2114	DRO Cable	SJT18AWG x 2C x 1400mm	1
115	PM2000B-2115	Transformer Cable	SJT 18AWG x 3C x 2100mm	1
116	PM2000B-2116	Phillips Pan HD Tapping Screw	M5-2.12 x 25	2

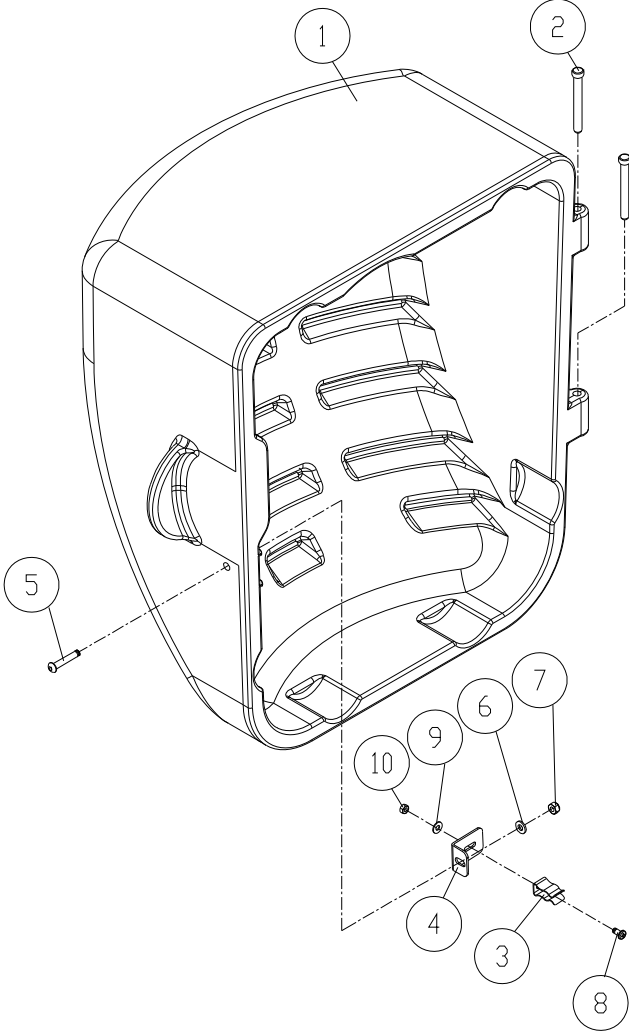
14.3.1 PM2000B Blade Guard and Miter Gauge Assemblies – Exploded View



14.3.2 PM2000B Blade Guard and Miter Gauge Assemblies – Parts List

Index No	Part No	Description	Size	Qty
	PM2000B-BGA	Blade Guard Assembly (includes #1 thru 17)		1
1	TS-1541021	Nylon Lock Hex Nut	M6-1.0	8
2	PM2000B-302	Blade Guard Side Shield		2
3	PM2000B-303	Flat Washer Thin	6.7 x 16 x 1.0T mm	4
4	PM2000B-304	Linkage		4
5	TS-1534051	Phillips Flat HD Machine Screw	M6-1.0 x 16L	8
6	TS-1550041	Flat Washer	6.7 x 16 x 2.0T mm	4
7	TS-2284081	Phillips Flat HD Machine Screw	M4-0.7 x 8L	2
8	PM2000B-308	Top Sight Shield		1
9	F005350L	Socket Head Cap Screw w/threadlocker	M4-0.7 x 8L	8
10	F006087	E-Retaining Ring	ETW-5	2
11	PM2000B-311	Lock Pin Bushing		4
12	PM2000B-312	Compression Spring		2
13	PM2000B-313	Riving Knife Lock Pin		1
14	F012098	Roll Pin	6 x 25mm	1
15	PM2000B-315	Blade Guard Body		1
16	PM2000B-316	Front Shield		1
17	F012099	Roll Pin	5 x 26mm	1
	PM2000B-APA	Anti-Kickback Pawl Assembly (includes #10,12,18 thru 24)		1
18	F006042	C-Retaining Ring, Ext	STW-14	2
19	PM2000B-319	Left Anti-Kickback Pawl		1
20	PM2000B-320	Left Pawl Base		1
21	PM2000B-321	Right Pawl Base		1
22	TS-1533042	Phillips Pan HD Machine Screw	M5-0.8 x 12L	1
23	PM2000B-323	Right Anti-Kickback Pawl		1
24	PM2000B-324	Anti-Kickback Pawl Lock Pin		1
25	PM2000B-325	Riving Knife	0.1" (2.5mm) thk	1
	PM2000B-MGA	Miter Gauge Assembly (includes #26 thru 47)		1
26	PM2000B-326	Knob		1
27	TS-1550061	Flat Washer	8.5 x 23 x 2.0T mm	1
28	PM2000B-328	Fence		1
29	TS-0050051	Hex Cap Screw	1/4"-20UNC x 1"	2
30	PM2000B-330	Miter Gauge Body		1
31	PM2000B-331	Universal Handle		2
32	PM2000B-332	Pin		1
33	F010450	Socket Set Screw CPP	M8-1.25 x 5L	2
34	PM2000B-334	Miter Bar		1
35	PM2000B-335	Guide Washer		1
36	F001220	Phillips Flat HD Machine Screw	M6-1.0 x 8L	1
37	TS-0810012	Round HD Machine Screw	#10-24 x 1/4"L	1
38	TS-1550031	Flat Washer	5.2 x 10 x 1.0T mm	1
39	PM2000B-339	Pointer		1
40	PM2000B-340	Pinion		1
41	PM2000B-341	Compression Spring		1
42	PM2000B-342	Pinion Shaft Hub		1
43	PM2000B-343	Shaft		1
44	TS-1521011	Socket Set Screw	M4-0.7P x 4L	1
45	PM2000B-345	Knob		1
46	TS-1502011	Socket Head Cap Screw	M5-0.8P x 8L	2
47	PM2000B-347	Scale		1
	LM000309	Warning Label - Blade Guard (not shown)		1

14.4.1 PM2000B Motor Cover Assembly – Exploded View



14.4.2 PM2000B Motor Cover Assembly – Parts List

Index No	Part No	Description	Size	Qty
.....	6827044B.....	Motor Cover Assembly (includes #1 thru 10)	1
1	PM2000B-401	Motor Cover	1
2	PM2000B-402	Hinge Pin	2
3	PM2000B-403	Spring Clamp	1
4	PM2000B-404	Clamp Holder.....	1
5.....	TS-2246302	Socket Head Button Screw.....	M6-1.0 x 30L.....	1
6	TS-1550041	Flat Washer	6.2 x 13 x 1.5T mm	1
7	TS-1541021	Nylon Lock Hex Nut.....	M6-1.0.....	1
8.....	TS-1533032	Phillips Pan HD Machine Screw	M5-0.8 x 10L.....	1
9.....	TS-1550031	Flat Washer	5.3 x 12 x 1.0T mm	1
10.....	TS-1540031	Hex Nut.....	M5-0.8.....	1