

## Portable Planer - 3 601 EA4 310 - PL2632

www.powertools-aftersaleservice.com



**BOSCH**

Item	Part Number	Description	Illustration	Price	Quantity	Price Group
2	2 604 220 479	Field 110-120V	1	-,-	1	30
4	1 607 200 30F	Switch	1	-,-	1	21
5	1 604 460 246	Power supply cord USA/CDN 3,20mm 2 x 0,82mm SJ 18/2	1	-,-	1	26
6	2 600 703 013	Grommet Ø7,6-Ø8,2x95 MM	1	-,-	1	13
7	2 601 035 001	Cable Clip	1	-,-	1	11
9	2 609 136 077	Manufacturer's nameplate PL2632	1	-,-	1	13
11	2 609 100 929	Ball Joint	1	-,-	1	11
16	2 604 449 055	Carbon Brush Holder	1	-,-	2	12
17	2 609 100 087	Cover	1	-,-	2	10
19	2 603 490 022	Screw 4x16	1	-,-	16	10
20	2 609 112 128	Screw	1	-,-	1	10
21	2 609 101 406	Push Button	1	-,-	1	11
22	2 609 111 857	Contact strap	1	-,-	1	10
28	2 609 110 268	Pulley	1	-,-	1	14
29	2 609 110 267	Pulley	1	-,-	1	16
30	2 609 101 405	Rotary Knob	1	-,-	1	17
31	2 609 100 410	V-Belt	1	-,-	1	22
32	2 609 101 439	Belt Cover	1	-,-	1	15
35	2 609 101 403	Brush-Cover	1	-,-	1	20
37	2 609 101 440	Cap-Handle	1	-,-	1	12
40	2 609 100 028	Air-Deflector Ring	1	-,-	1	13
41	2 601 329 053	Contact Strap	1	-,-	1	11
44	2 603 320 004	Square Nut M6	1	-,-	2	11
47	2 601 254 000	Ratchet Spring	1	-,-	2	11
48	2 600 590 006	Ratchet Cap	1	-,-	1	11
49	2 609 101 402	Handle Cover	1	-,-	1	16
57	2 604 448 181	Connecting Cable L=233 MM WHITE	1	-,-	1	12
58	2 604 448 118	Connecting Cable L=213 MM BLUE	1	-,-	1	11
60	2 609 100 148	Deflector Pipe BLACK	1	-,-	1	23
71	2 609 110 064	Clamping jaws	1	-,-	2	18
74	2 608 635 341	Planing Knife	1	-,-	1	26
75	2 602 316 001	Stop Holding Device	1	-,-	1	12
76	2 609 110 107	Blade Holder	1	-,-	1	16

Item	Part Number	Description	Illustration	Price	Quantity	Price Group
80	2 609 100 088	Knife Guard	1	-,-	1	14
81	2 609 110 109	Spring	1	-,-	1	12
201	2 603 433 001	Torx Oval-Head Screw	1	-,-	4	11
202	2 916 069 088	Spring Washer	1	-,-	4	11
203	2 609 110 084	Straining Screw	1	-,-	6	10
653	2 609 101 407	Pad	2	-,-	1	13
654	2 607 950 025	Hexagon-Socket Key	2	-,-	1	14
655	2 609 170 013	Dust Bag	2	-,-	1	32
656	2 609 111 859	Parallel-Guide	2	-,-	1	25
657/1	1 610 210 043	O-Ring 4,0x1,5 MM	2	-,-	1	11
657/2	2 916 011 014	Plain Washer DIN 125-A 6,4-ST	2	-,-	1	10
657/3	2 603 480 003	Wing Screw M 6x16 MM	2	-,-	1	13
657/4	2 609 112 158	Stop Bracket	2	-,-	1	13
657/5	2 910 281 201	Round-Head Bolt DIN 603-M6x20	2	-,-	1	10
657/6	2 609 199 008	Wing Nut	2	-,-	1	11
658	2 609 101 668	Pad	2	-,-	1	13
801	2 609 199 974	Motor Housing	1	-,-	1	34
803	2 609 199 947	Armature set 110-120V	1	-,-	1	32
808	2 609 136 423	Nameplate	1	-,-	1	13
810	2 609 120 638	Carbon-Brush Set	1	-,-	1	19
813	2 600 905 051	groove ball bearing 7x19x6	1	-,-	1	21
814	2 600 905 052	groove ball bearing 8x22x7	1	-,-	1	20
825	2 609 199 949	Bearing Flange	1	-,-	1	28
827	2 600 905 051	groove ball bearing 7x19x6	1	-,-	1	21
855	2 600 905 064	groove ball bearing 10x26x8	1	-,-	1	23
870	2 609 110 161	Cutting Head	1	-,-	1	43

Illustration - Type E

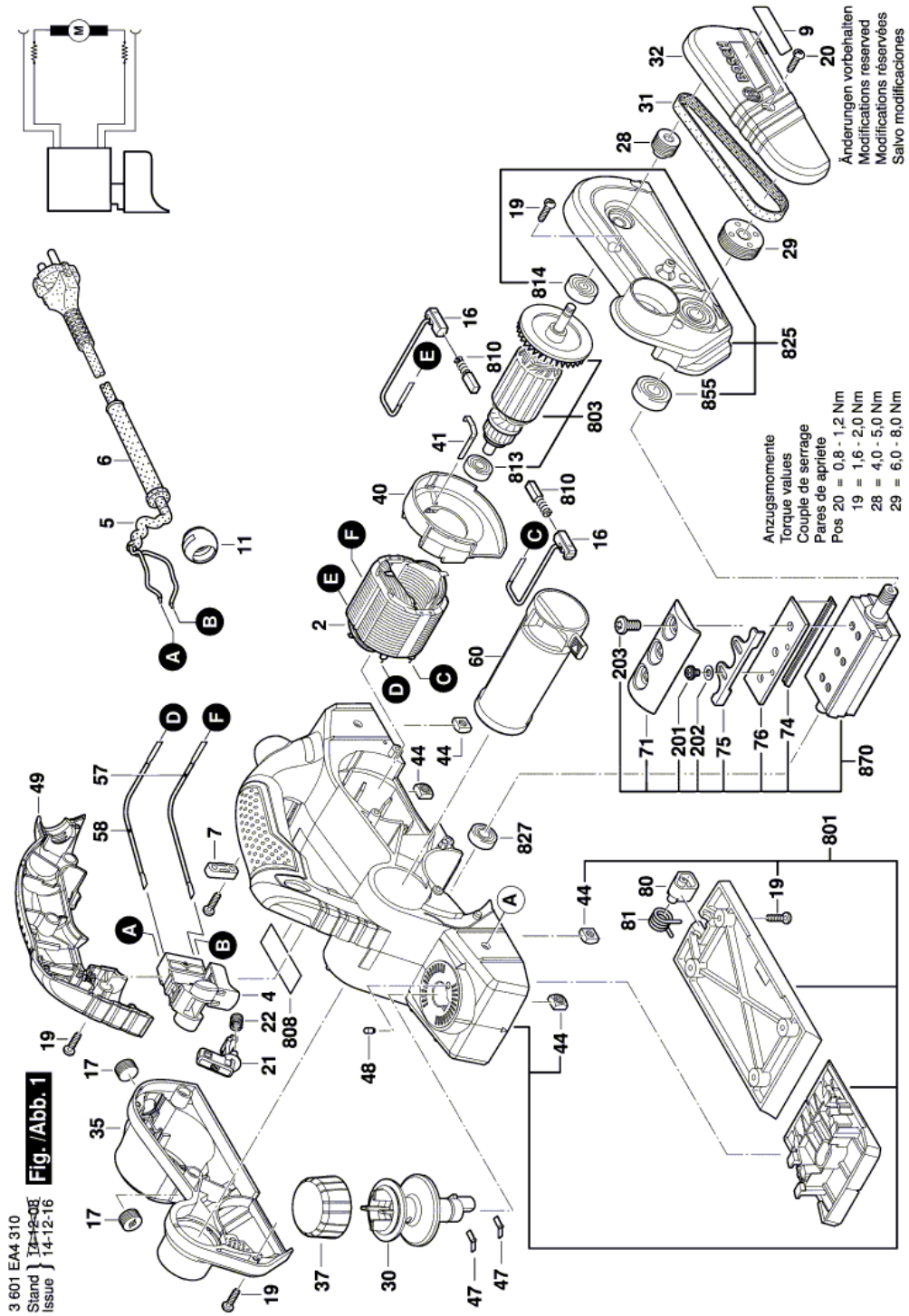
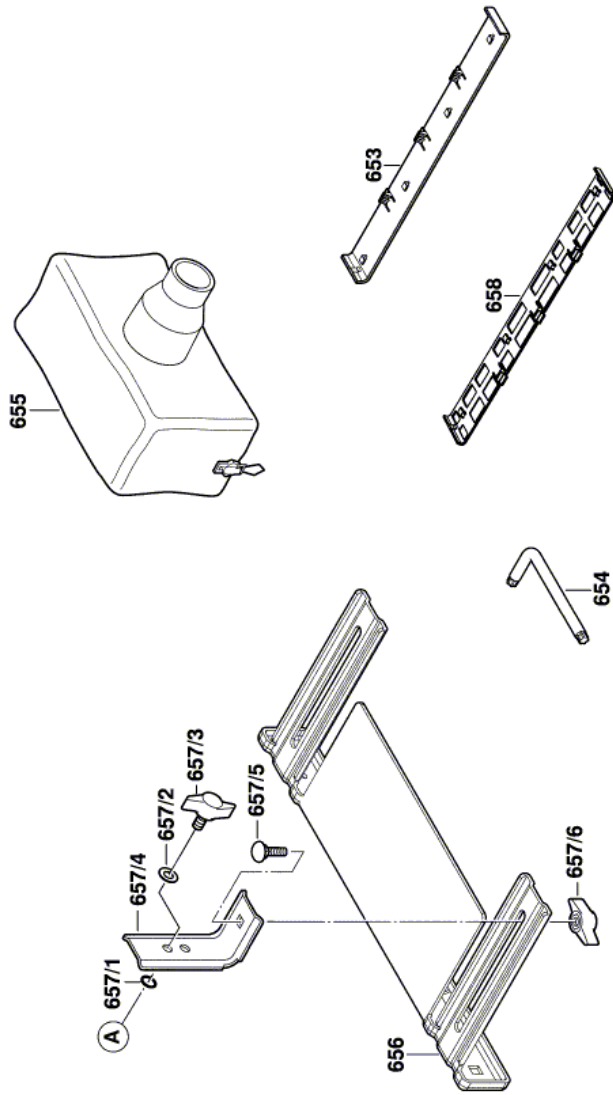


Illustration - Type E

3 601 EA4 310  
Stand } 15-07  
Issue } 17-08-23

**Fig. /Abb. 2**



Änderungen vorbehalten  
Modifications réservées  
Modificacions reservées  
Salvo modificaciones

Information subject to change without further notice.