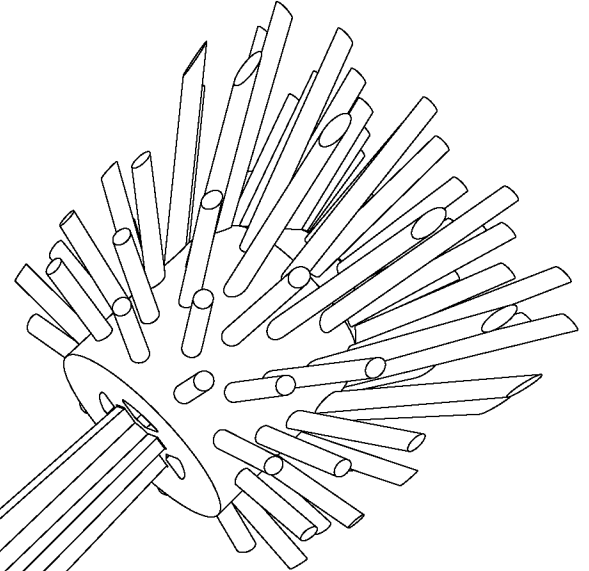
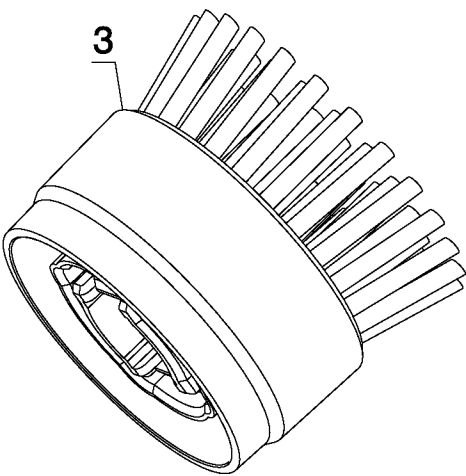


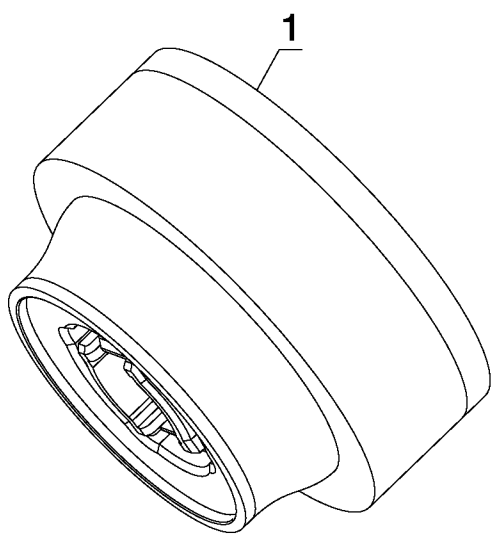
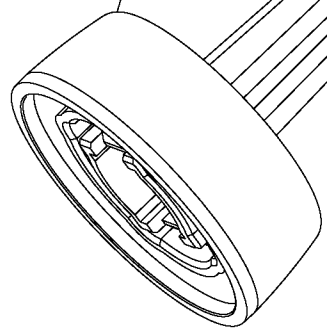
5



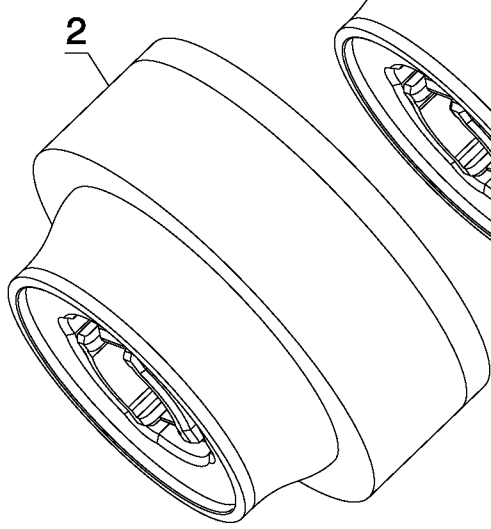
4



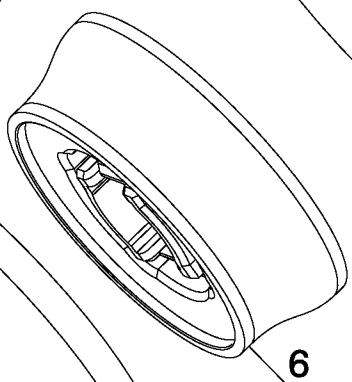
3



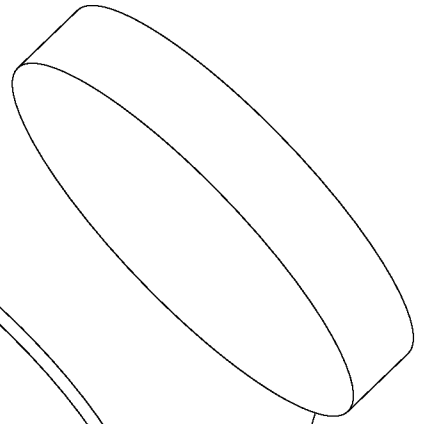
1



2



6



7

## Parts List for PKS150 Type 1

Item Number	Part Number	Description	Qty Required
1	478056-00	PAD,SCRUB	1
2	478056-01	PAD,SCRUB-WHITE	1
3	477831-00	SCRUB BRUSH	1
4	478981-00	GLASS SCRUBBER	1
5	000000-00	No Longer Available	1