

Portable Planer - 0 603 258 139 - PHO 200

www.powertools-aftersaleservice.com



BOSCH

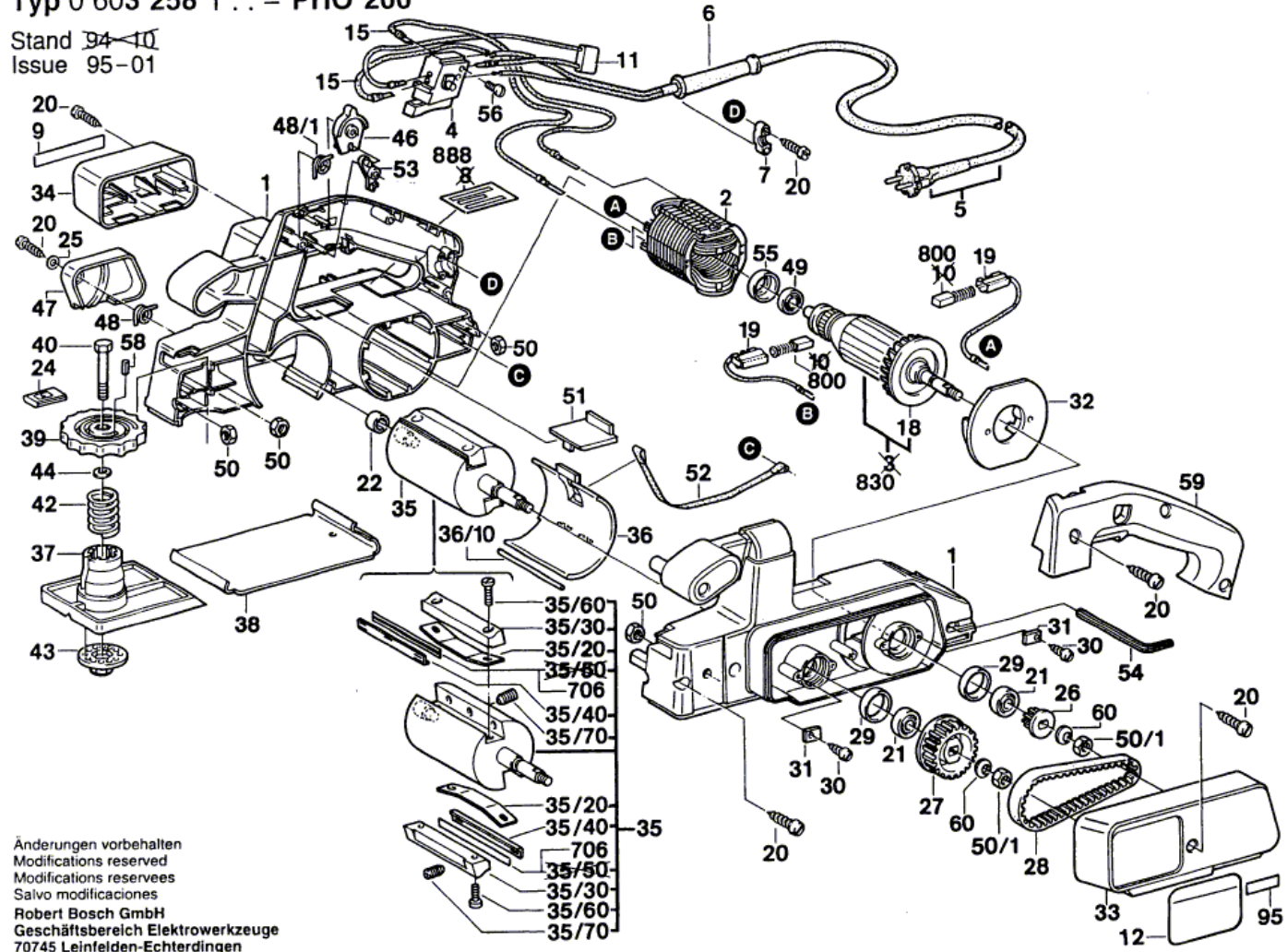
Item	Part Number	Description	Illustration	Price	Quantity	Price Group
1	2 605 104 215	Housing Section BLUE	1	-,-	1	-
2	1 604 220 196	Field 110-115V	1	-,-	1	30
4	2 607 200 131	On-Off Switch	1	-,-	1	23
5	1 604 460 023	Power supply cord	1	-,-	1	-
6	2 600 703 013	Grommet Ø7,6-Ø8,2x95 MM	1	-,-	1	13
7	2 601 035 001	Cable Clip	1	-,-	1	11
9	1 601 110 481	Manufacturer's nameplate SHADOW SIDE	1	-,-	1	12
12	2 601 110 438	Manufacturer's nameplate	1	-,-	1	-
15	1 604 448 008	Sticker	1	-,-	2	11
18	2 606 610 049	Fan	1	-,-	1	12
19	2 604 449 028	Brush Holder	1	-,-	2	-
20	2 910 211 019	Tapping Screw DIN 7971-ST3,9x16-F	1	-,-	14	10
21	2 600 905 052	groove ball bearing 8x22x7	1	-,-	2	20
22	2 600 910 001	Needle-Roller Bearing Ø14 MM	1	-,-	1	16
24	1 601 099 010	Scale Window	1	-,-	1	11
25	2 600 100 588	Shim 0,5 MM	1	-,-	1	11
26	1 606 625 026	Toothed Belt Wheel Z=19	1	-,-	1	13
27	1 606 625 025	Toothed Belt Wheel Z=43	1	-,-	1	18
28	1 604 736 004	Toothed Belt 14 MM	1	-,-	1	22
29	1 600 206 025	Rubber Ring	1	-,-	2	12
30	2 910 211 005	Tapping Screw DIN 7971-ST2,9x9,5-F	1	-,-	4	10
31	1 600 190 016	Tab Washer	1	-,-	2	11
32	1 600 591 006	Air-Deflector Ring	1	-,-	1	13
33	1 605 510 140	Gear Cover BLACK	1	-,-	1	20
34	1 605 510 141	Covering hood BLACK	1	-,-	1	14
35	2 603 204 900	Planer Head	1	-,-	1	44
35/20	1 601 234 002	Leaf Spring	1	-,-	2	11
35/30	2 608 040 027	Pressure Bar	1	-,-	2	29
35/40	2 601 334 006	Support clamp	1	-,-	2	13
35/60	2 603 410 041	Oval-Head Screw	1	-,-	4	11
35/70	2 912 081 193	Set screw M 6x12 DIN 915-45H	1	-,-	6	10
36	1 605 510 142	Protective Cover	1	-,-	1	21
36/10	1 600 410 003	Slotted Spring Pin	1	-,-	1	11

Item	Part Number	Description	Illustration	Price	Quantity	Price Group
37	1 605 190 031	Adjusting Slide	1	-,-	1	27
38	1 608 000 091	Base Plate	1	-,-	1	17
39	2 606 621 001	Graduated Dial	1	-,-	1	-
40	3 603 450 005	Hex Screw	1	-,-	1	11
42	1 604 619 017	Compression Spring	1	-,-	1	12
43	3 603 342 003	Adjusting Nut	1	-,-	1	11
44	3 600 100 005	Shim 0,5 MM THICK	1	-,-	2	11
47	1 605 510 139	Protective Cover	1	-,-	1	13
48	1 604 651 007	Compression Spring	1	-,-	1	11
48/1	1 604 651 007	Compression Spring	1	-,-	2	11
49	2 600 905 051	groove ball bearing 7x19x6	1	-,-	1	21
50	2 915 011 007	Hex Nut DIN 934-M6-8-A	1	-,-	4	10
50/1	2 915 011 007	Hex Nut DIN 934-M6-8-A	1	-,-	2	10
51	1 601 099 011	Adjusting Slide BLACK	1	-,-	1	11
52	1 601 006 006	Rubber band	1	-,-	1	14
53	1 602 051 001	Locking Lever	1	-,-	1	11
54	1 907 950 004	Offset Screwdriver DIN 911, SW3	1	-,-	1	16
55	1 600 502 011	Intermediate Ring	1	-,-	1	11
56	2 603 410 001	Socket head cap screw M3x6,5-4.8	1	-,-	2	11
58	2 917 760 073	Slotted Spring Pin 3x5 DIN 1481	1	-,-	1	11
59	1 605 500 125	Handle Cover BLUE	1	-,-	1	-
60	2 916 160 003	Disc Spring DIN 2093-A12,5-GR-1	1	-,-	2	-
650	1 608 132 006	Depth-Gauge	2	-,-	1	-
651	2 607 001 078	Width Stop 45°	2	-,-	1	-
700/10	1 601 331 039	Stop Bracket	2	-,-	1	16
700/20	2 603 480 003	Wing Screw M 6x16 MM	2	-,-	1	13
700/30	2 916 011 014	Plain Washer DIN 125-A 6,4-ST	2	-,-	1	10
700/40	1 610 210 043	O-Ring 4,0x1,5 MM	2	-,-	1	11
701	0 603 095 002	Base	2	-,-	1	-
701/20	2 603 480 003	Wing Screw M 6x16 MM	2	-,-	2	13
701/30	1 601 110 005	Manufacturer's nameplate	2	-,-	2	11
701/40	1 602 380 012	Rubber Ring	2	-,-	4	10
701/50	1 608 000 104	Guide Rail	2	-,-	1	-
702	1 605 411 022	Chips Bag	2	-,-	1	-
702/10	1 605 190 030	Fitting	2	-,-	1	-
702/20	1 605 703 073	Clamping Piece	2	-,-	1	-
702/30	2 608 045 003	Retaining Bracket	2	-,-	1	-
702/40	1 605 411 022	Chips Bag	2	-,-	1	-
702/50	2 603 490 017	Torx Oval-Head Screw 3x10	2	-,-	4	10
703	1 607 000 154	Connecting Pipe Ø 35 MM	2	-,-	1	-
704/10	1 610 210 043	O-Ring 4,0x1,5 MM	2	-,-	1	11
704/20	2 916 011 014	Plain Washer DIN 125-A 6,4-ST	2	-,-	3	10
704/30	2 603 480 003	Wing Screw M 6x16 MM	2	-,-	1	13
704/40	1 601 332 018	Stop Bracket	2	-,-	1	15
704/50	2 910 281 203	Round-Head Bolt DIN 603-M6x25	2	-,-	1	13
704/60	1 603 339 006	Wing Nut M6	2	-,-	2	12
704/70	2 910 281 196	Round-Head Bolt M6x15 DIN 603	2	-,-	1	11
704/80	1 608 000 092	Stop Plate	2	-,-	1	-
704/90	2 916 011 010	Plain Washer DIN 125-A4,3-ST	2	-,-	2	10
704/100	2 917 190 492	Tubular rivet B 4x0,5x15 DIN 734	2	-,-	1	-
704/110	1 608 000 093	Stop Bracket	2	-,-	1	-
706	2 607 000 096	Planing Knife	1	-,-	1	-
800	2 604 321 905	Carbon-Brush Set	1	-,-	1	23

Item	Part Number	Description	Illustration	Price	Quantity	Price Group
830	1 604 010 238	Armature 115V	1	-,-	1	-
888	1 601 11A 3H3	Nameplate	1	-,-	1	13

Typ 0 603 258 1... = PHO 200

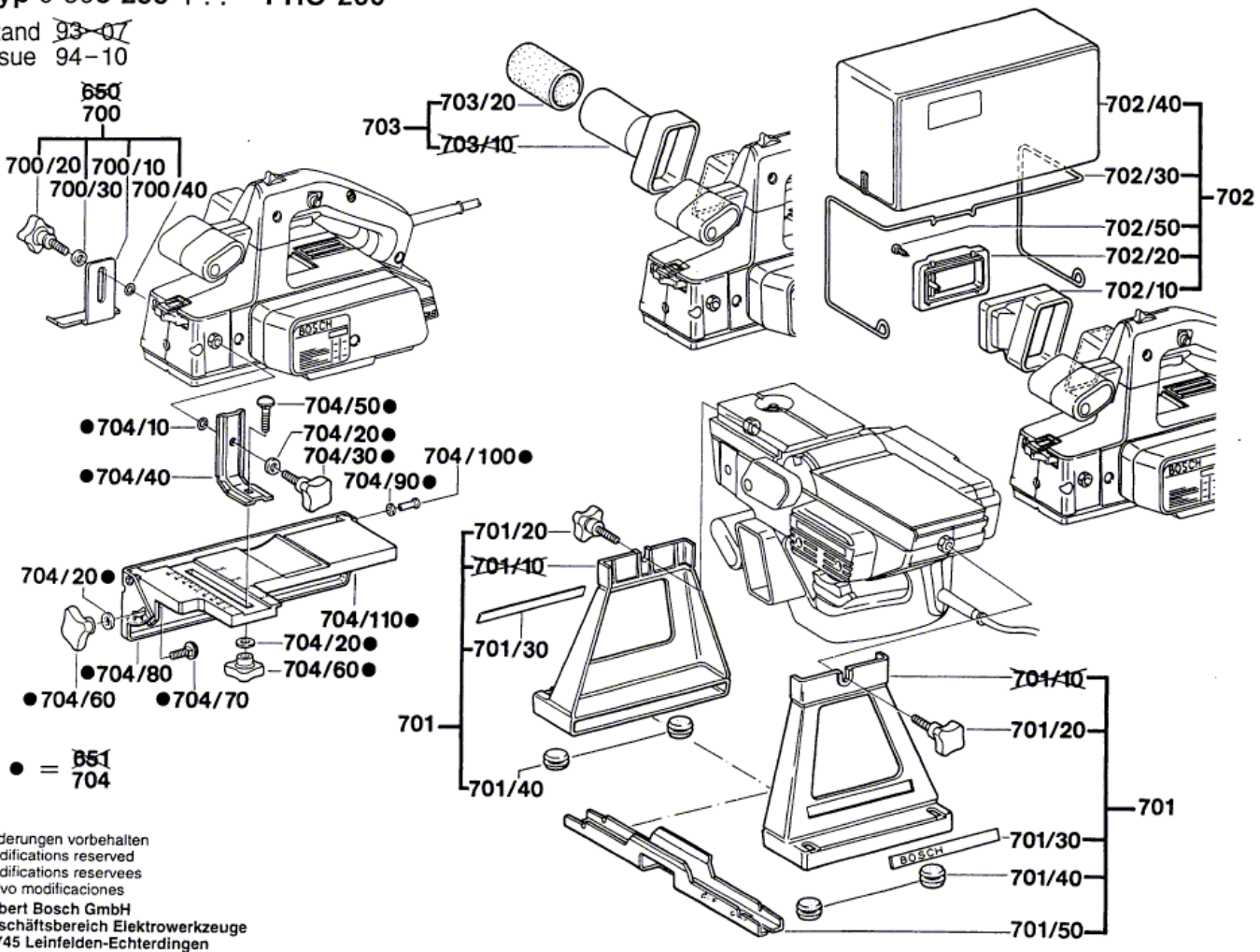
Stand ~~94-10~~
Issue 95-01



Änderungen vorbehalten
Modifications reserved
Modifications reserves
Salvo modificaciones
Robert Bosch GmbH
Geschäftsbereich Elektrowerkzeuge
70745 Leinfelden-Echterdingen

Typ 0 603 258 1... = PHO 200

Stand ~~93-07~~
Issue 94-10



Information subject to change without further notice.