

Portable Planer - 0 603 365 142 - PHO 20-82

www.powertools-aftersaleservice.com



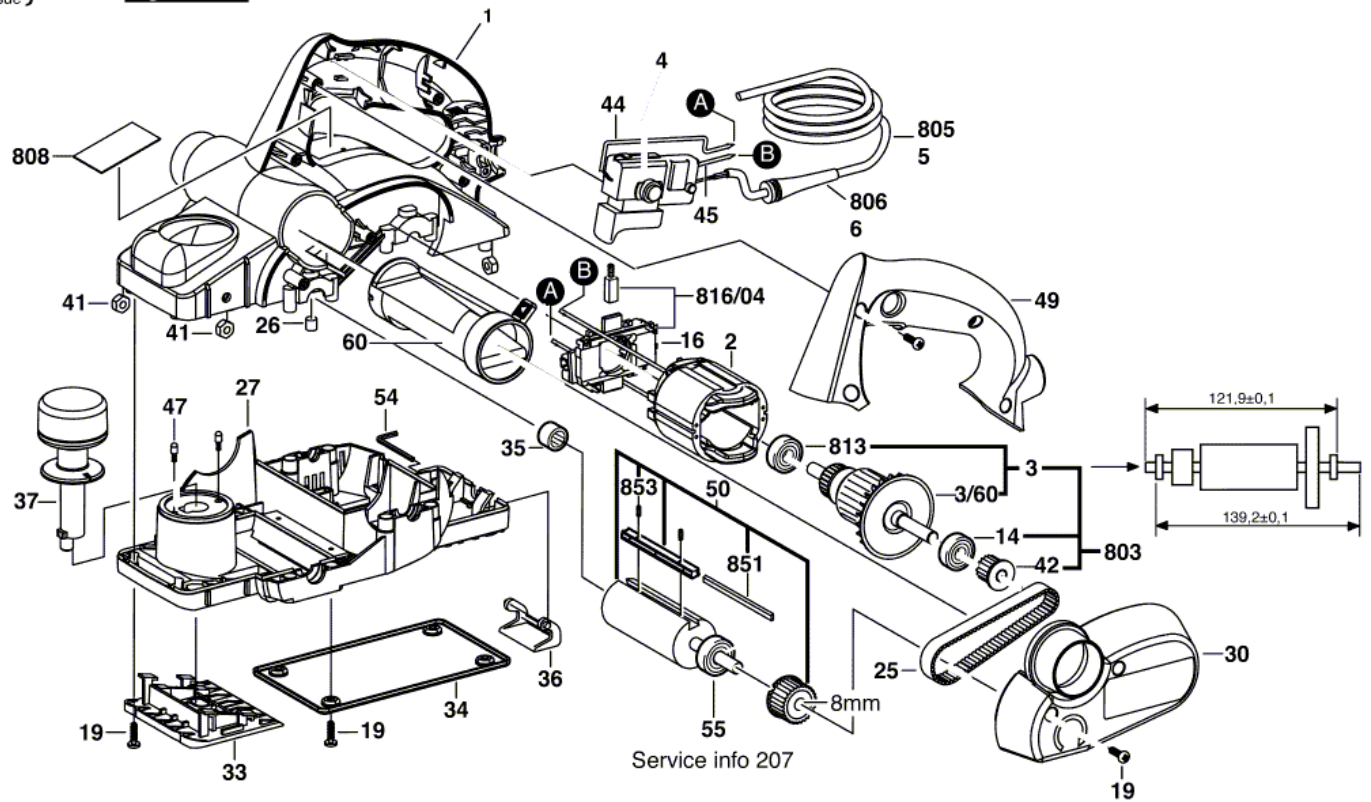
BOSCH

Item	Part Number	Description	Illustration	Price	Quantity	Price Group
	1 2 605 105 037	Housing Section GREEN	1	-,-	1	31
	2 2 604 220 690	Field 220-230V	1	-,-	1	29
	3 2 604 011 331	Armature 220-230V	1	-,-	1	36
3/60	2 606 610 096	Fan	1	-,-	1	13
	4 2 607 200 531	Switch	1	-,-	1	23
	5 2 604 460 147	Power supply cord GB 230V 2,65m 2 x 1,0mm H05 VV-F	1	-,-	1	27
	6 2 600 703 017	Grommet Ø6,4-Ø7,2x76 MM	1	-,-	1	13
14	1 610 905 011	groove ball bearing 9x24x7	1	-,-	1	26
16	2 604 337 086	Brush Plate	1	-,-	1	23
19	2 603 490 022	Screw 4x16	1	-,-	20	10
25	2 604 736 001	Toothed Belt	1	-,-	1	22
26	2 603 100 056	Damping rubber	1	-,-	2	11
27	2 608 000 314	Base Frame GREEN	1	-,-	1	30
30	2 605 500 181	Gear Cover BLACK	1	-,-	1	20
33	2 608 000 299	Adjusting Slide	1	-,-	1	29
34	2 608 000 225	Base Plate	1	-,-	1	21
35	1 610 910 057	Needle bearing Ø8xØ12x10 MM	1	-,-	1	14
36	2 601 329 104	Knife Guard	1	-,-	1	14
37	2 602 026 123	Handle BLACK	1	-,-	1	20
41	2 915 011 007	Hex Nut DIN 934-M6-8-A	1	-,-	3	10
42	2 606 625 030	Toothed Belt Wheel	1	-,-	1	15
44	2 604 448 221	Connecting Cable L = 300 MM WHITE	1	-,-	1	13
45	2 604 448 222	Connecting Cable L = 325 MM WHITE	1	-,-	1	13
47	2 600 590 006	Ratchet Cap	1	-,-	2	11
49	2 605 133 029	Handle Plate GREEN	1	-,-	1	20
50	2 608 584 003	Planer Head	1	-,-	1	37
54	1 907 950 003	Offset Screwdriver DIN 911 SW2,5	1	-,-	1	13
55	2 600 905 052	groove ball bearing 8x22x7	1	-,-	1	20
60	2 600 409 027	Deflector Pipe	1	-,-	1	18
803	2 604 010 996	Armature 230V	1	-,-	1	40
808	2 601 116 438	Marking Plate	1	-,-	1	15
813	2 600 905 051	groove ball bearing 7x19x6	1	-,-	1	21
816/04	2 607 014 014	Carbon-Brush Set	1	-,-	1	21

Item	Part Number	Description	Illustration	Price	Quantity	Price Group
851	2 608 635 341	Planing Knife	1	-,-	1	26
853	2 603 400 016	Set screw	1	-,-	2	11

0 603 365 103
 Stand } 03-02-13
 Issue }

Fig./Abb. 1



Änderungen vorbehalten
 Modifications reserved
 Modificaciones reserves
 Salvo modificaciones

Information subject to change without further notice.