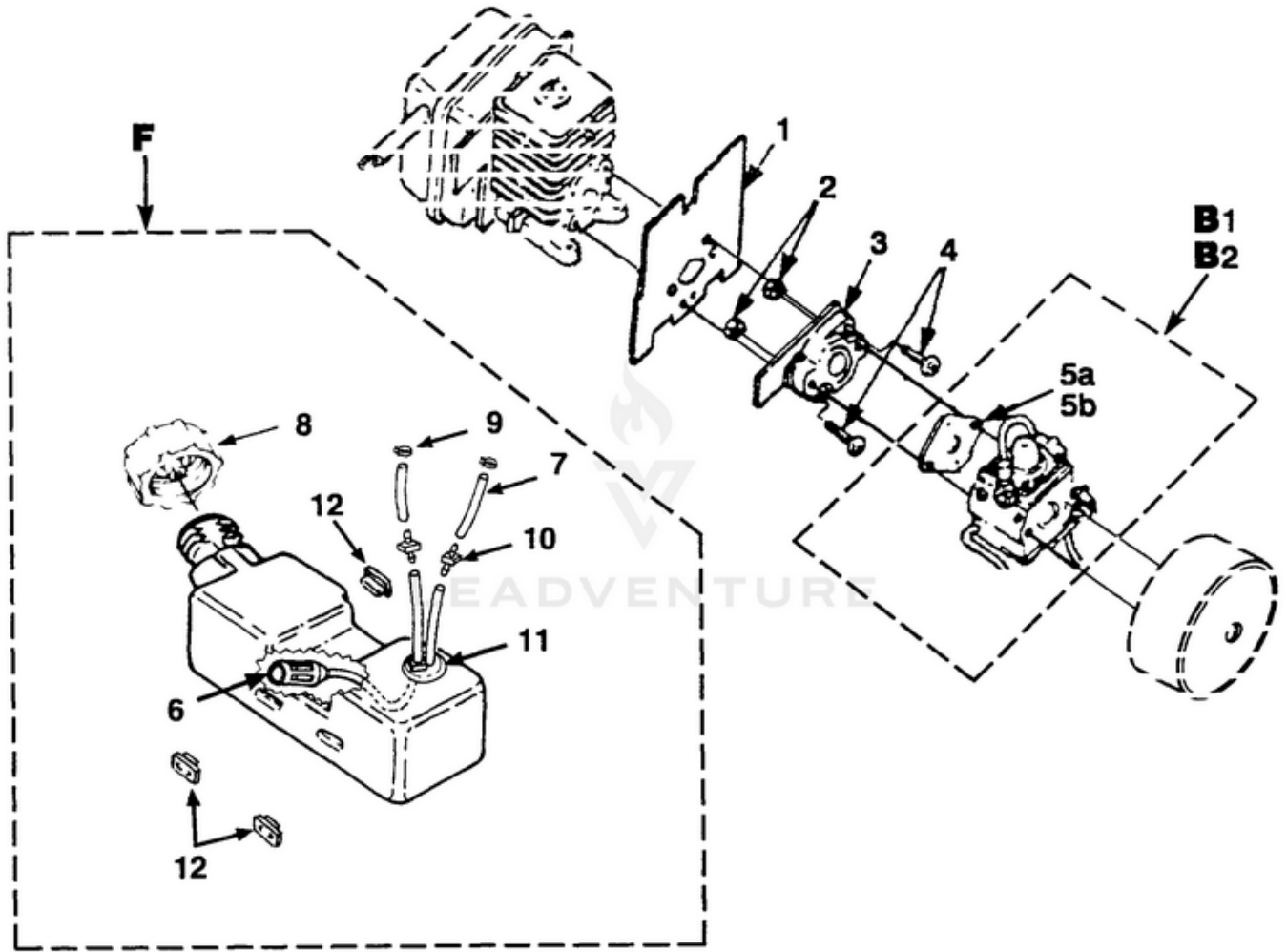


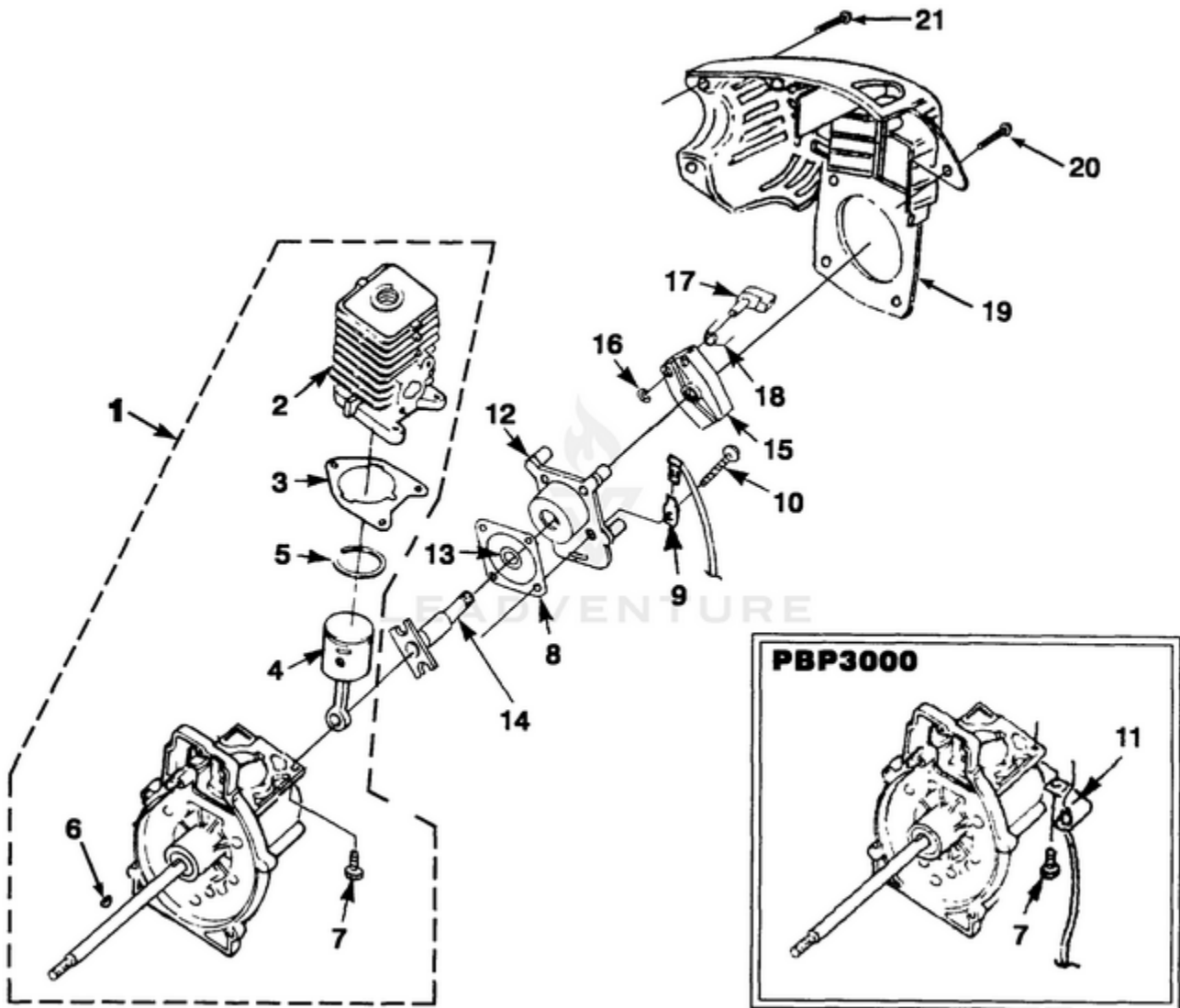
PHB3000 Blower UT-08028-C - Carburetor And Fuel Tank



Rendered by LeadVenture, Inc.

<b>Ref #</b>	<b>Part #</b>	<b>Description</b>	<b>Qty</b>	<b>Context Note</b>
1	08840	Heat Dam Gasket	1	
2	81208	Hex Nut (1/4-20)	2	
3	98768	Heat Dam	1	
4	880821	Screw, Machine (10-24 x 1 1/8")	2	Torque Specs. 40-50 In/Lbs, 4.5-5.6 Nm
B1	A06805A	Carburetor Kit	1	PHB Models
5A	987661	Carburetor Gasket	1	
B2	A07288	Carburetor Kit	1	PBP Models
5B	98766A	Carburetor Gasket	1	
F	A04447C	FUEL TANK	1	
6	49422	FILTER-Fuel	1	
7	0745424	TUBING-Rubber	2	
8	A00982B	FUEL CAP	1	
9	93426	CLAMP	2	
10	02067	FITTING - Inlet	2	
11	07469	GROMMET W/Fuel Line	1	
12	98792	BUMPER-Rubber	3	

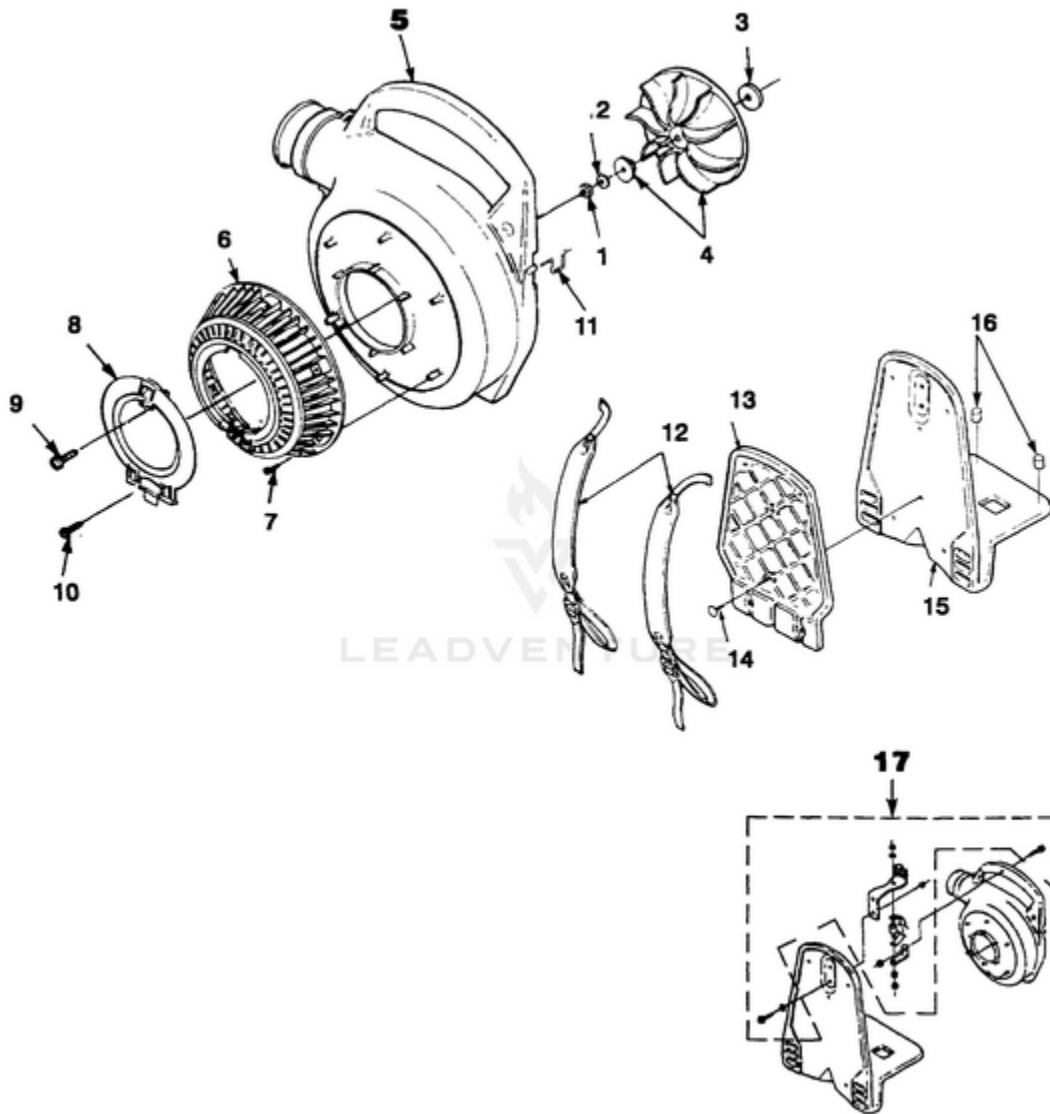
PHB3000 Blower UT-08028-C - Engine Internal



Rendered by LeadVenture, Inc.

<b>Ref #</b>	<b>Part #</b>	<b>Description</b>	<b>Qty</b>	<b>Context Note</b>
1	A06263B	Short Block Kit	1	
2	A07146B	Cylinder Kit	1	
3	04388B	Cylinder Gasket	1	
4	A09002	Piston & Rod	1	
5	03179	Piston Ring	2	
6	69250	Woodruff Key	1	
7	825801	Screw-Machine, 12-24 x 3/4"	3	Torque Specs 65-75 In/Lbs, Nm 7.3-8.5
8	98767A	Crankcase Gasket	1	
9	02851	Male Tab	1	
10	825551	Screw-Thread Form. #10-24 x 3/4"	4	Torque Specs 40-50 In/Lbs, Nm 4.5-5.6
11	A01767	Cable Bracket	1	PBP's Only
12	A040172	Crankcase Cover	1	
13	04589	Spacer	1	
14	04016B	Starter Shaft	1	
15	A04018	Starter Cup	1	
16	0401804	Retaining Ring	1	
17	0401802	Starter Pawl	1	
18	0401803	Starter Spring	1	
19	04439	Cowling	1	
20	82563	Screw 8 X .500 Pan Hd. Plastite	3	Torque Specs 20-30 In/Lbs, Nm 2.3-3.4
21	82541	Screw #10 X .500 Plastite	1	Torque Specs 30-40 In/Lbs, Nm 3.4-4.5

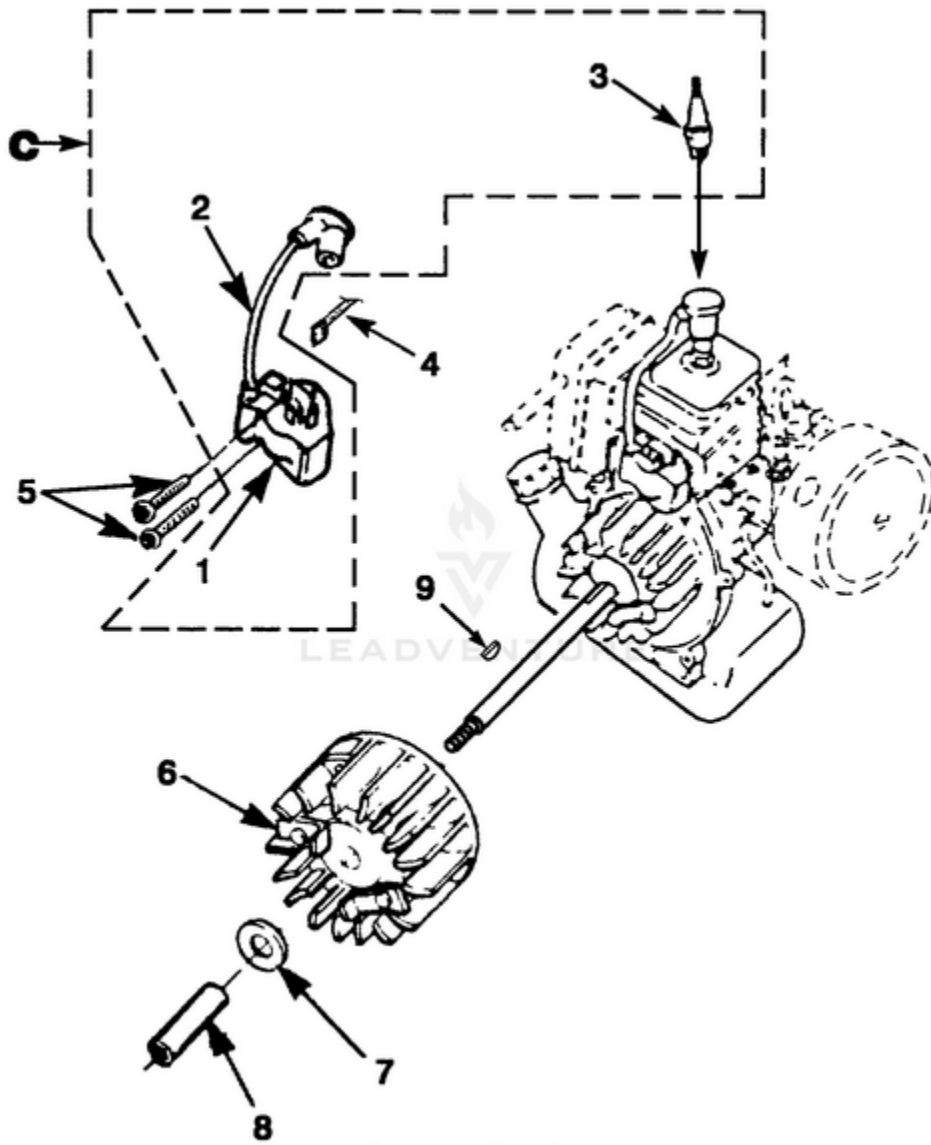
PHB3000 Blower UT-08028-C - Fan, Outer Volute Housing, Grill, & Back Pack



Rendered by LeadVenture, Inc.

Ref #	Part #	Description	Qty	Context Note
1	81124A	Hex Nut (3/8-24)	1	Torque Specs. 130-150 In/Lbs, 14.7-16.9 Nm
2	03163	Bellville Washer (3/8")	1	
3	03165	Flat Washer	2	
4	A00503A	Blower Fan Kit	1	
5	A04852A	Volute Housing Kit,Outer	1	
6	A04853	Blower Vac Grille Kit	1	
7	82536	Screw-Thread Form. (10-24 x 3/4")	6	Torque Specs. 8-12 In/Lbs, 9-1.4 Nm
8	A04854	Access Cover	1	
9	82312	Screw-Thread Rolling (#10 x 5/8")	1	Torque Specs. 10-20 In/Lbs, 1.1-2.3 Nm
10	82376	Screw-Thread Form. (#8 x 1/2")	4	Torque Specs. 8-20 In/Lbs, 9-1.4 Nm
11	00398	Wire Loop	1	
12	01776	Shoulder Harness	2	
13	02023	Foam Pad	1	
14	01783	Push Clip	6	
15	01763	Blower Frame	1	
16	01770A	Vibration Isolator One	1	Included In #26 Kit
17	A04855	Vibration Isolator Kit	1	

PHB3000 Blower UT-08028-C - Ignition With Rotor

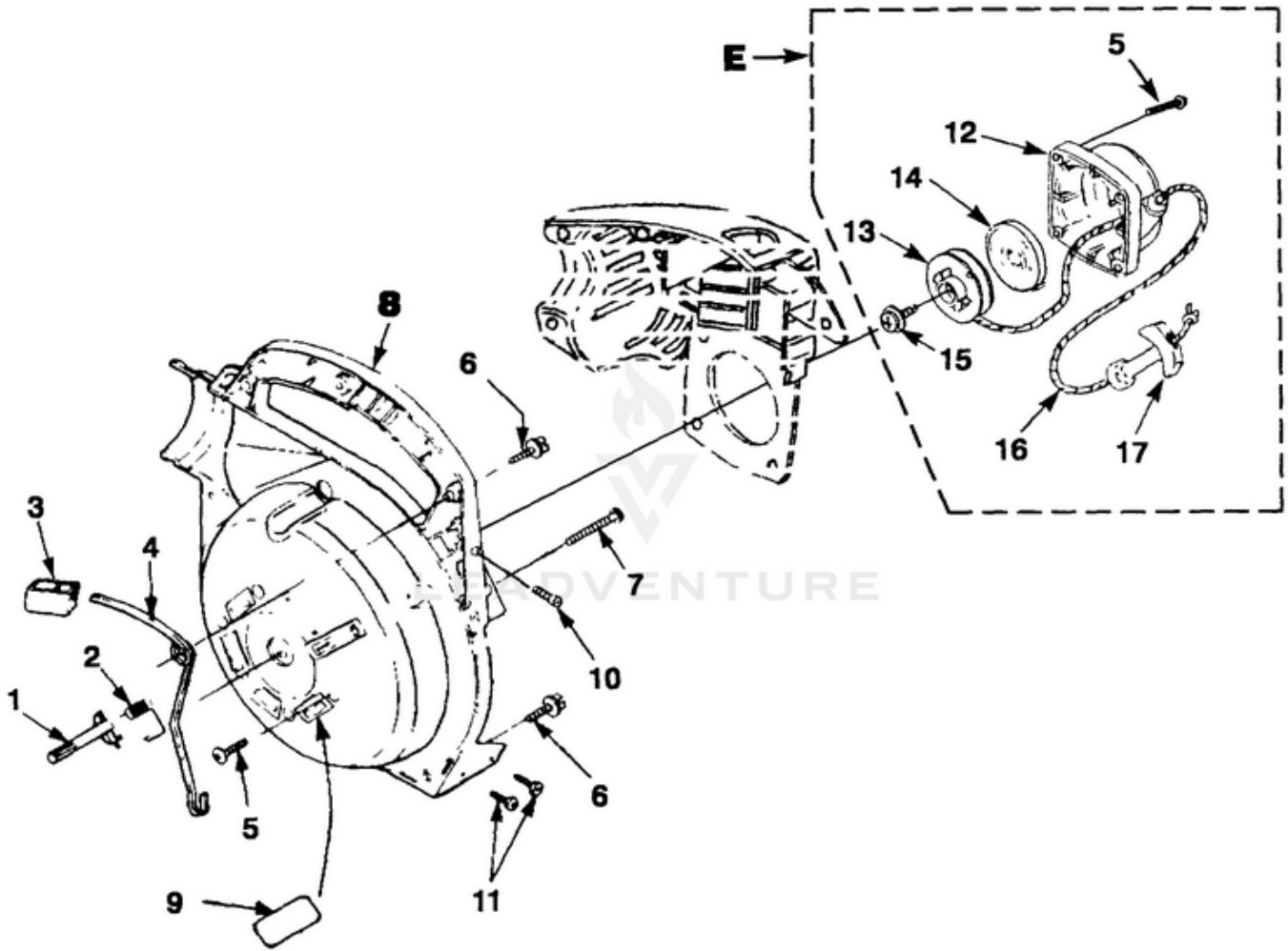


Rendered by LeadVenture, Inc.

Ref #	Part #	Description	Qty	Context Note
C	A04446	Ignition Kit	1	
1	94711CS	Ignition Module	1	
2	A33055	TERMINAL HIGH TENS(P TBO	1	
3	96169S	Spark Plug DJ-7Y	1	Torque Specs 120-180 In/Lbs, Nm 13.6-20.3
1	94711CS	Ignition Module	1	UT08046 & UT08047 A,B,C
2	A33055	TERMINAL HIGH TENS(P TBO	1	
3	79252	Spark Plug	1	Int'l, RDJ-7Y
4	A03924	Electrical Lead	1	
5	82540	Screw-Thread Forming 8-32 x 1"	2	Torque Specs 30-40 In/Lbs 30-40 In/Lbs, Nm 3.4-4.5; 242 Blue Required Loctite
6	A04158S	Rotor	1	
7	95479A	Washer-Flat	1	
8	03566	Fan Spacer	1	
9	69250	Woodruff Key	1	



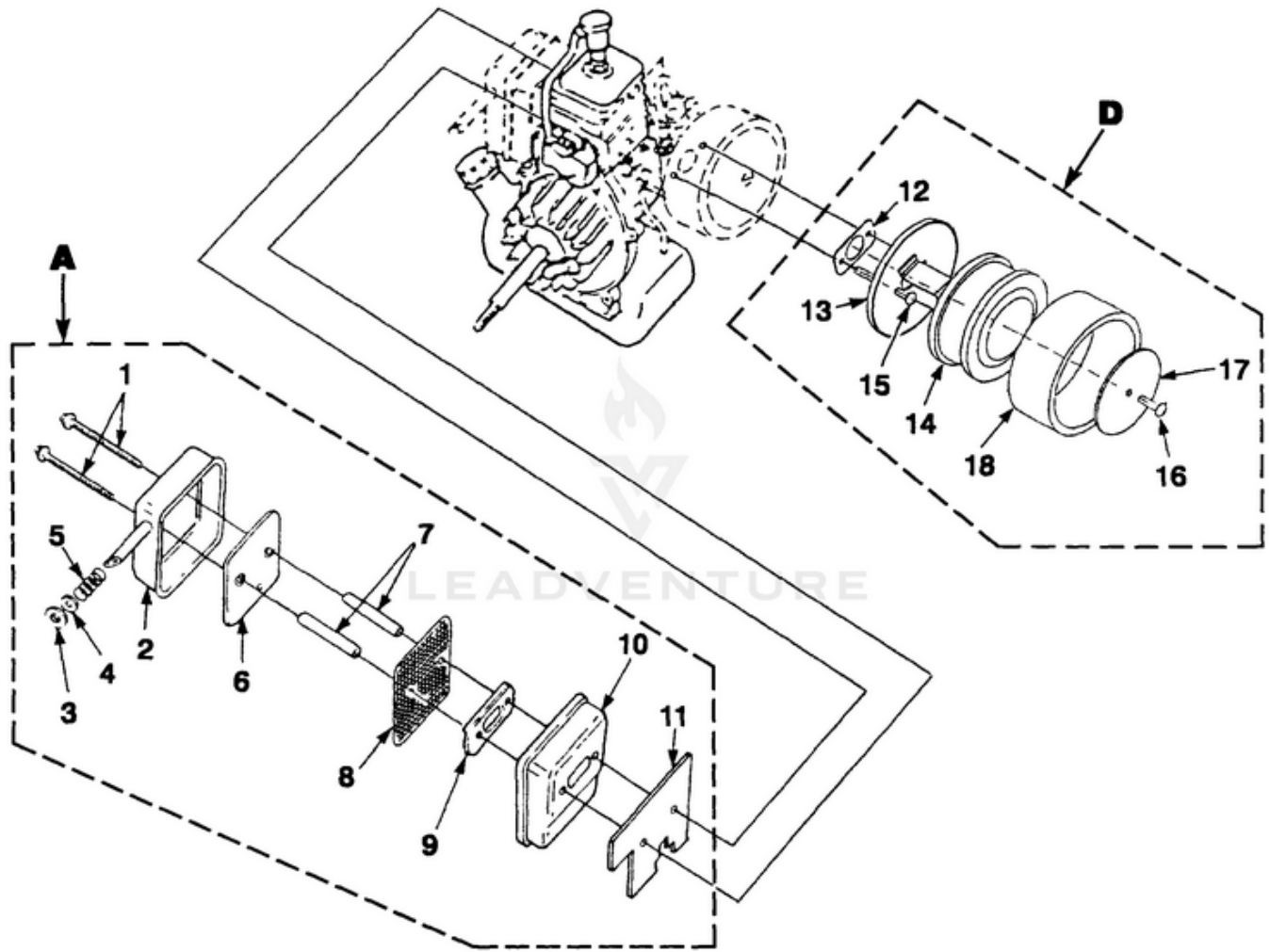
PHB3000 Blower UT-08028-C - Inner Volute Housing & Starter



Rendered by LeadVenture, Inc.

<b>Ref #</b>	<b>Part #</b>	<b>Description</b>	<b>Qty</b>	<b>Context Note</b>
1	00368A	Throttle Latch	1	
2	00370	Throttle Latch Spring	1	
3	00367	Throttle Trigger	1	
4	00369A	Throttle Lever	1	
5	82538	Screw-Thread Form. (10-24 x 3/4")	5	Torque Specs. 55-60 In/Lbs, 6.2-6.8 Nm
6	82563	Screw-Thread Form. (#10 x 3/4")	6	Torque Specs. 20-30 In/Lbs, 2.3-3.4 Nm
7	JA416903	Screw-Thread Form. (#10 x 1 5/8")	1	Torque Specs. 20-30 In/Lbs, 2.3-3.4 Nm
8	A01630A	Volute Housing, Inner	1	
9	A00813B	Sealing Kit	1	
10	82146	Screw-Fillister Hd. (#8-32 x 5/8")	1	
11	82348A	Screw-Tap, Pan Hd. (#8 x 1/2")	4	Torque Specs. 15-18 In/Lbs, 1.7-2.0 Nm
E	A04069	Starter Assembly	1	
12	0406901	Starter Housing	1	
13	0406906	Recoil Spring	1	
14	0406905	Starter Pulley	1	
15	0406904	Set Screw	1	
16	0406903	Starter Rope	1	
17	0406902	Starter Grip	1	

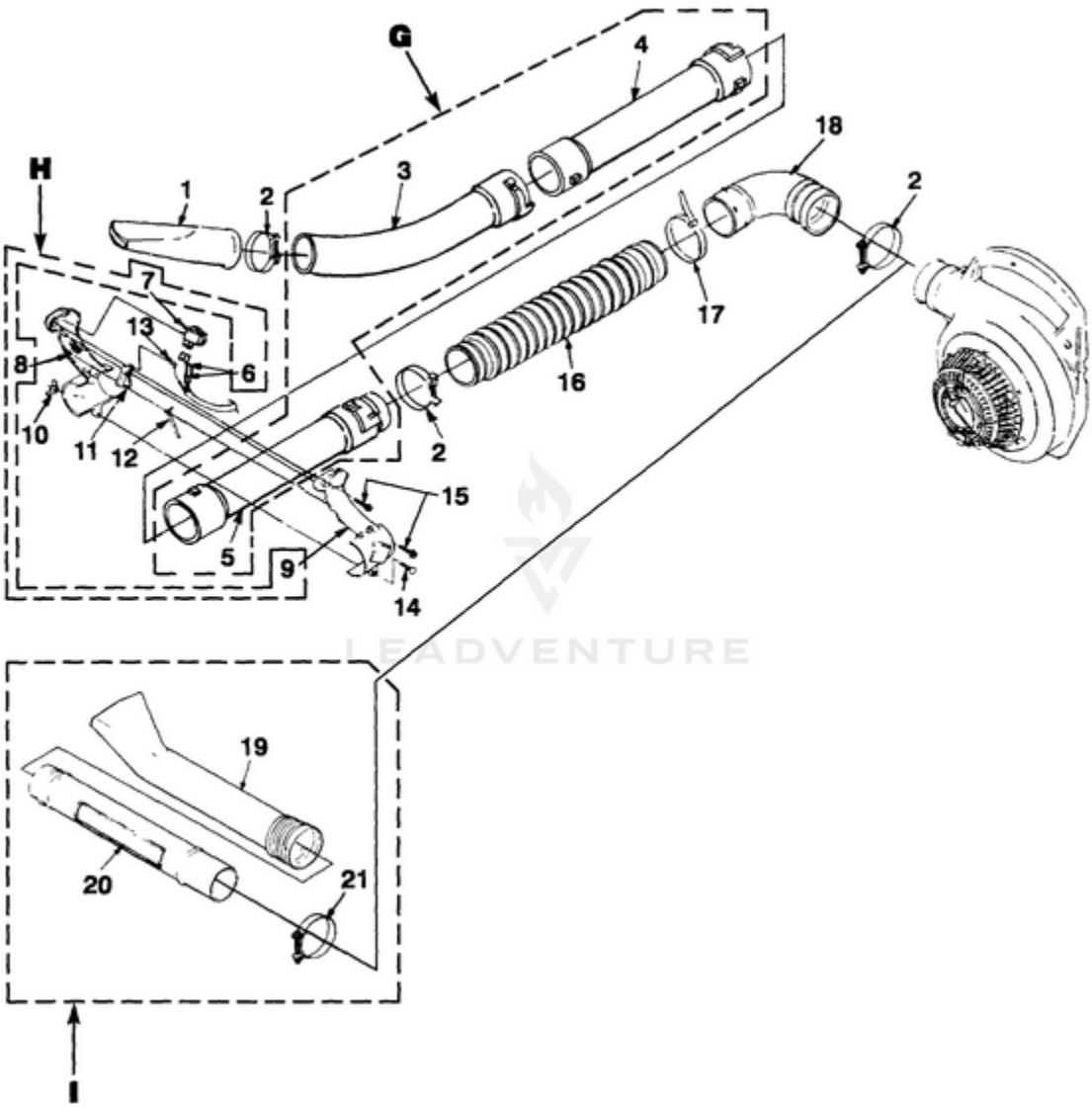
PHB3000 Blower UT-08028-C - Muffler And Air Cleaner



Rendered by LeadVenture, Inc.

<b>Ref #</b>	<b>Part #</b>	<b>Description</b>	<b>Qty</b>	<b>Context Note</b>
A	A04714	Complete Muffler	1	
1	88060	Screw-Sems Hex Hd. (10-24 x 2 1/2")	2	Torque Specs. 40-50 In/Lbs, 4.5-5.6 Nm
2	A00366	Muffler Cover	1	
3	00381	Washer-Insulating	1	
4	84117	Washer-Flat	1	
5	00387	Compression Spring	1	
6	00777	Deflector	1	
7	04785	Spacer	2	
8	00388B	Spark Arrestor Screen	1	
9	98783	Reinforcing Plate	1	
10	04710	Muffler Body	1	
11	00394A	Muffler Gasket	1	
D	A04610B	Air Filter Kit	1	
12	04325	Carburetor Gasket	1	
13	03890	Plate-Filter	1	
14	03847	Air Filter	1	
15	88057	Screw-Sems Hex Hd. (10-24 x 2")	2	Torque Specs. 30-40 In/Lbs, 3.4-4.5 Nm
16	825551	Screw-Machine (10-24 x 3/4")	1	Torque Specs. 55-65 In/Lbs, 6.2-7.3 Nm
17	041451	Filter Washer	1	
18	04307B	Pre-Filter	1	

PHB3000 Blower UT-08028-C - Tube Kit & Handle



Rendered by LeadVenture, Inc.

<b>Ref #</b>	<b>Part #</b>	<b>Description</b>	<b>Qty</b>	<b>Context Note</b>
1	96329B	Sweeper Nozzle	1	
2	00433B	Clamp	3	
G	A03036A	Blower Tube Kit	1	
3	02899	Elbow	1	
4	028982	Straight Tube	1	
5	028981	Upper Tube	1	
H	A00219	Handle & Switch Kit	1	
6	A03924	Electrical Lead w/Terminal	1	
7	02497	Switch	1	
8	03922	Control Handle (Right)	1	
9	03923	Control Handle (Left)	1	
10	81281	Wing Nut (10-24)	1	
11	94452B	Trigger	1	
12	95906A	Trigger Latch	1	
13	01775	Throttle Cable	1	
14	82375	Bolt-Rib Neck (Round Hd.) (10-24 x 7/8")	1	
15	82563	Screw-Thread Form. (10-24 x 3/4")	2	Torque Specs. 20-30 In.Lbs, 2.3-3.4 Nm
16	01772	Bellows-Plastic	1	
17	JA375487	Cable Tie	1	
18	01771A	Elbow-Curved	1	
I	A04986	Blower Tube Kit (PHB's)	1	
19	00373A	Sweeper Nozzle	1	
20	A00309	Tube w/Decals	1	
21	00433B	Clamp w/Fasteners	1	