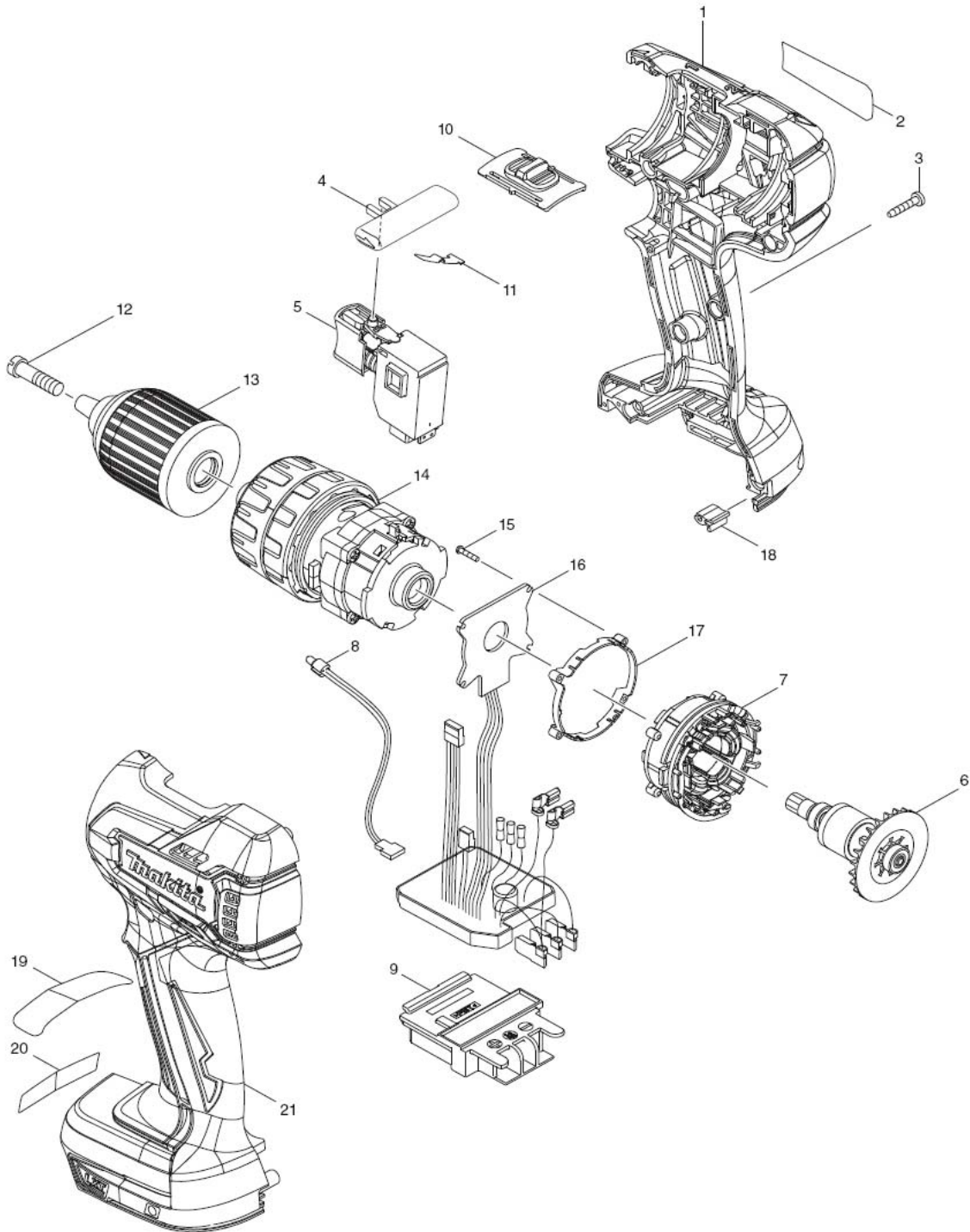




Parts Breakdown

LXPH05





# Parts Breakdown

LXPH05

<u>Fig #</u>	<u>Part ID</u>	<u>Part Name</u>	<u>Quantity</u>
1	187454-9	HOUSING SET	1
C10	263005-3	RUBBER PIN 6	2
D10		INC. 21	
2	897318-6	LXPH05 NAME PLATE	1
3	266429-2	TAPPING SCREW 3X16	9
4	419250-0	F/R CHANGE LEVER	1
5	650689-0	SWITCH C3JW-2B	1
6	619304-5	ROTOR	1
7	629960-3	STATOR	1
8	620163-2	LED CIRCUIT	1
9	643860-3	TERMINAL	1
10	126180-5	SPEED CHANGE LEVER ASSEMBLY	1
C10	233438-6	COMPRESSION SPRING 4	2
11	232182-2	LEAF SPRING	1
12	251468-5	- FLAT HEAD SCREW M6X22	1
13	766008-1	KEYLESS DRILL CHUCK 13	1
14	126179-0	GEAR ASSEMBLY	1
15	266786-8	+ PAN HEAD TAPPING SCREW 2X10	4
16	620162-4	CONTROLLER	1
17	687464-1	SUPPORT	1
18	424517-3	CUSHION	1
19	898926-6	CAUTION LABEL	1
20	898927-4	CAUTION LABEL	1
21	187454-9	HOUSING SET	1
C10	263005-3	RUBBER PIN 6	2
D10		INC. 1	
A01	251314-2	+ SCREW M4X12	1
A02	346449-3	HOOK	1
A03	784637-8	+/- BIT 2-45	1
A04	***DC18RA	DC18RA FAST CHARGER	1
A05	195324-8	BATTERY BL1830 SET	2
A06	450128-8	BATTERY COVER	1
A07	824774-7	PLASTIC CARRYING CASE	1
C10	324679-6	SHAFT	1
C20	417724-5	LATCH	2
C30	419216-0	HANDLE	1