

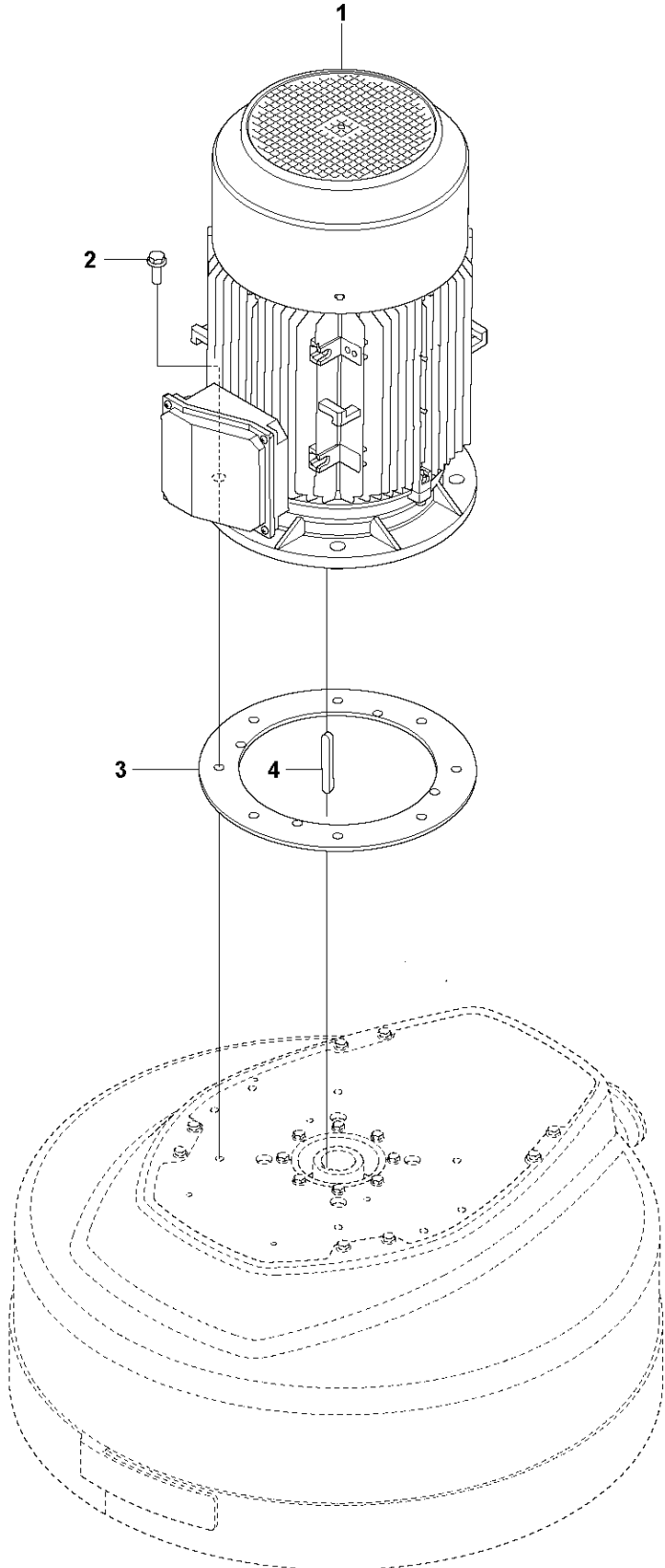


SPARE PARTS LIST

SURFACE PREPARATION EQUIPMENT

PG 830 S, 2020-06

A PG 830 S
MOTOR

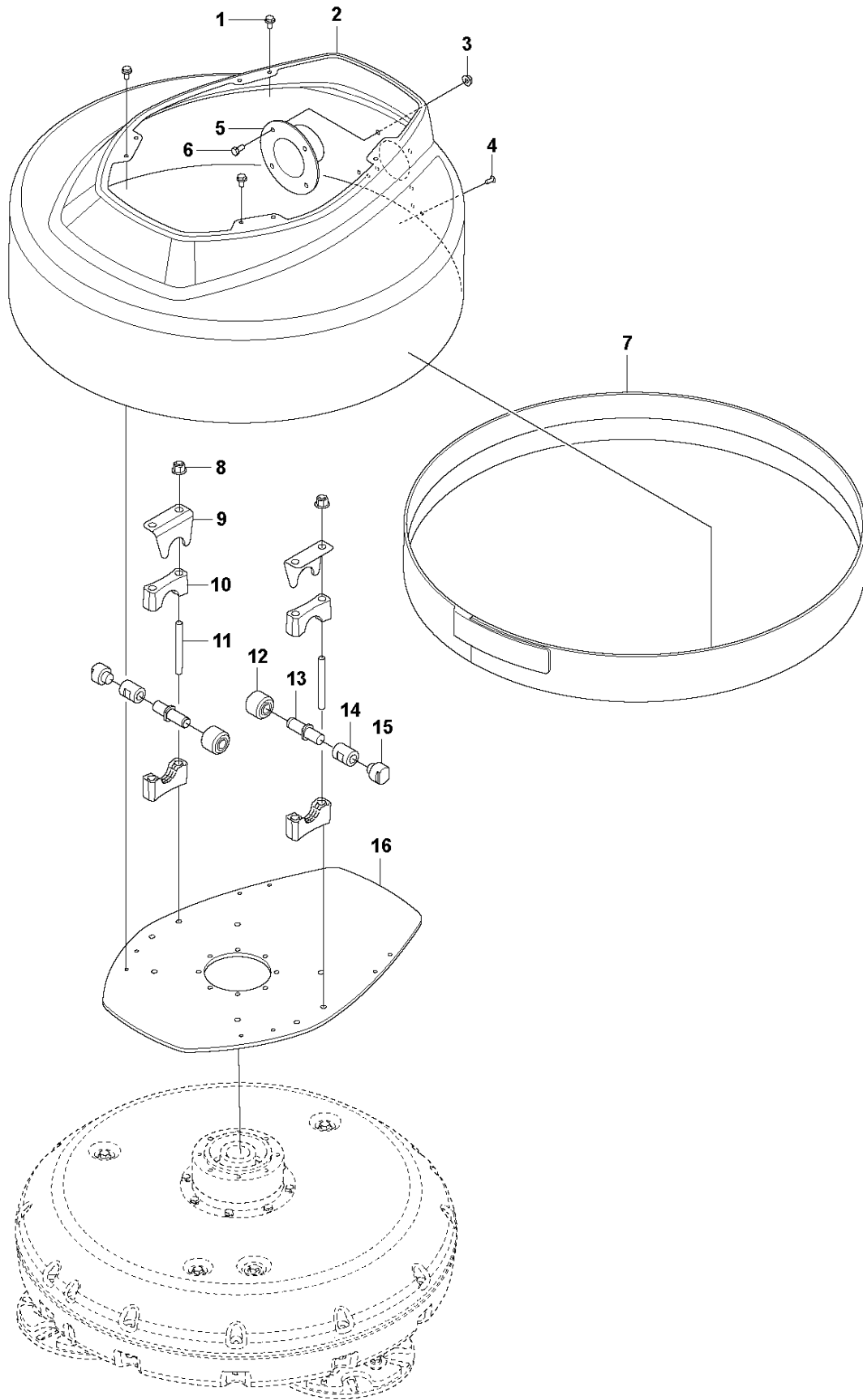


MOTOR

PG 830 S, 2020-06

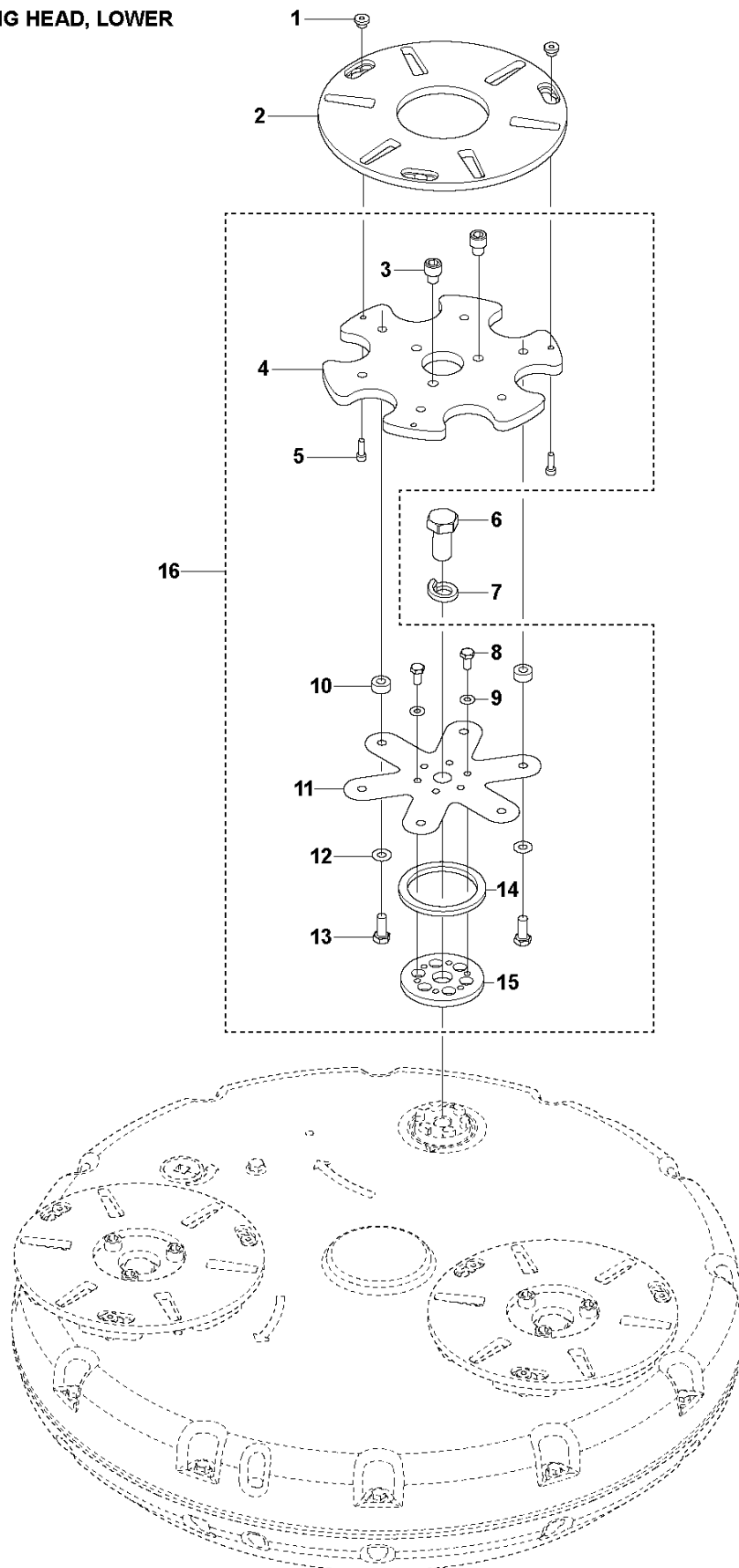
Ref	Part No	Description	Remark	QTY KIT
1	595 53 09-01	MOTOR	11KW, 230/400V 50/60Hz	1
2	598 74 98-01	SCREW	M12x35 DRI-SEAL	4
3	597 25 51-01	SEAL		1
4	000 00 00-00	W/O DESCRIPTION	L=88mm W=12mm t=8mm	1

B PG 830 S
GRINDING HEAD, OUTER



Ref	Part No	Description	Remark	QTY KIT
1	597 72 09-01	SCREW		8
2	597 45 43-01	DUST COVER		1
3	576 64 57-03	NUT FLANGE	M6 Nylon Lock	4
4	593 50 08-01	RIVET		4
5	599 31 60-01	HOSE CONNECTOR		1
6	531 11 94-26	SCREW		4
7	598 03 43-02	RUBBER SKIRT		1
8	576 64 57-06	NUT FLANGE	M12 Nylon lock	4
9	598 77 80-01	STOP	Suspension Bushing	2
10	593 54 20-01	CLAMP	Suspension	4
11	597 80 33-01	STUD		4
12	593 53 90-01	SUSPENSION	rubber	2
13	593 53 83-01	AXLE		2
14	593 53 84-01	NUT	Grinding head suspension	2
15	598 39 97-01	SUPPORT	Support	2
16	597 79 68-01	PLATE	Motor base 830 S	1

C PG 830 S
GRINDING HEAD, LOWER

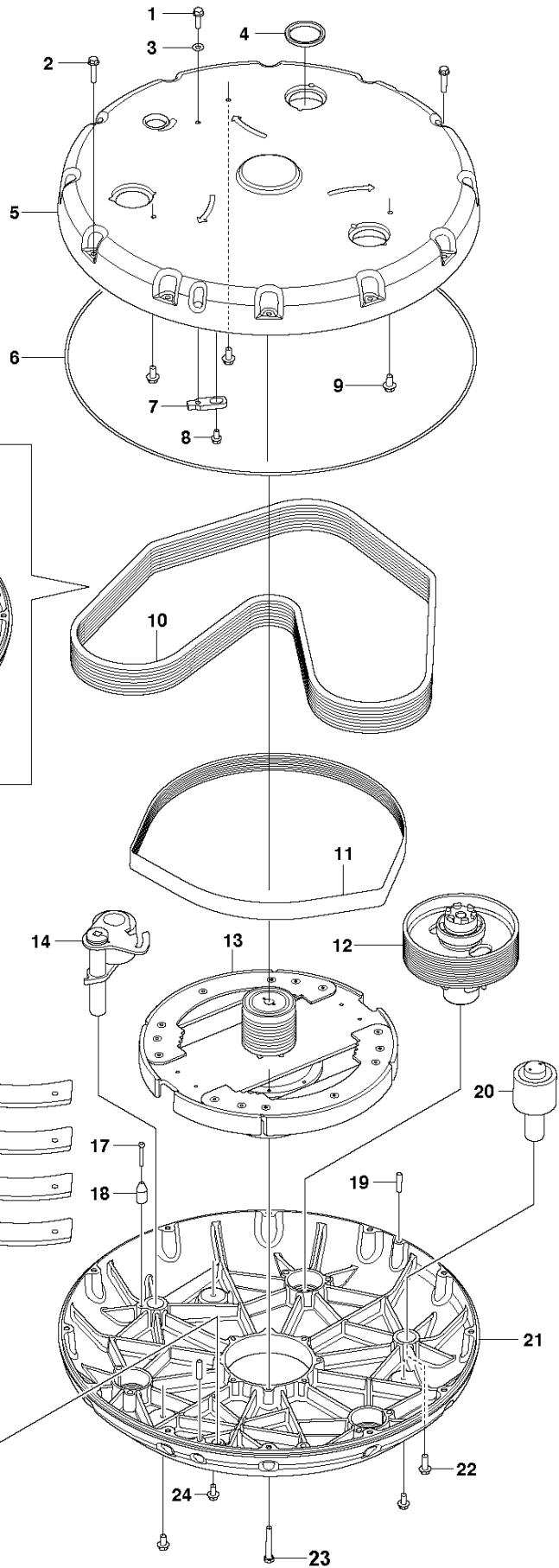
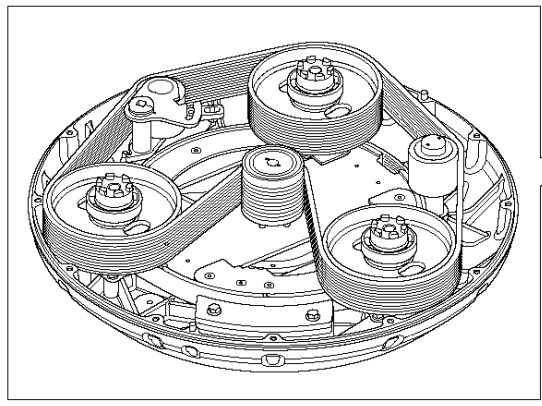


GRINDING HEAD, LOWER

PG 830 S, 2020-06

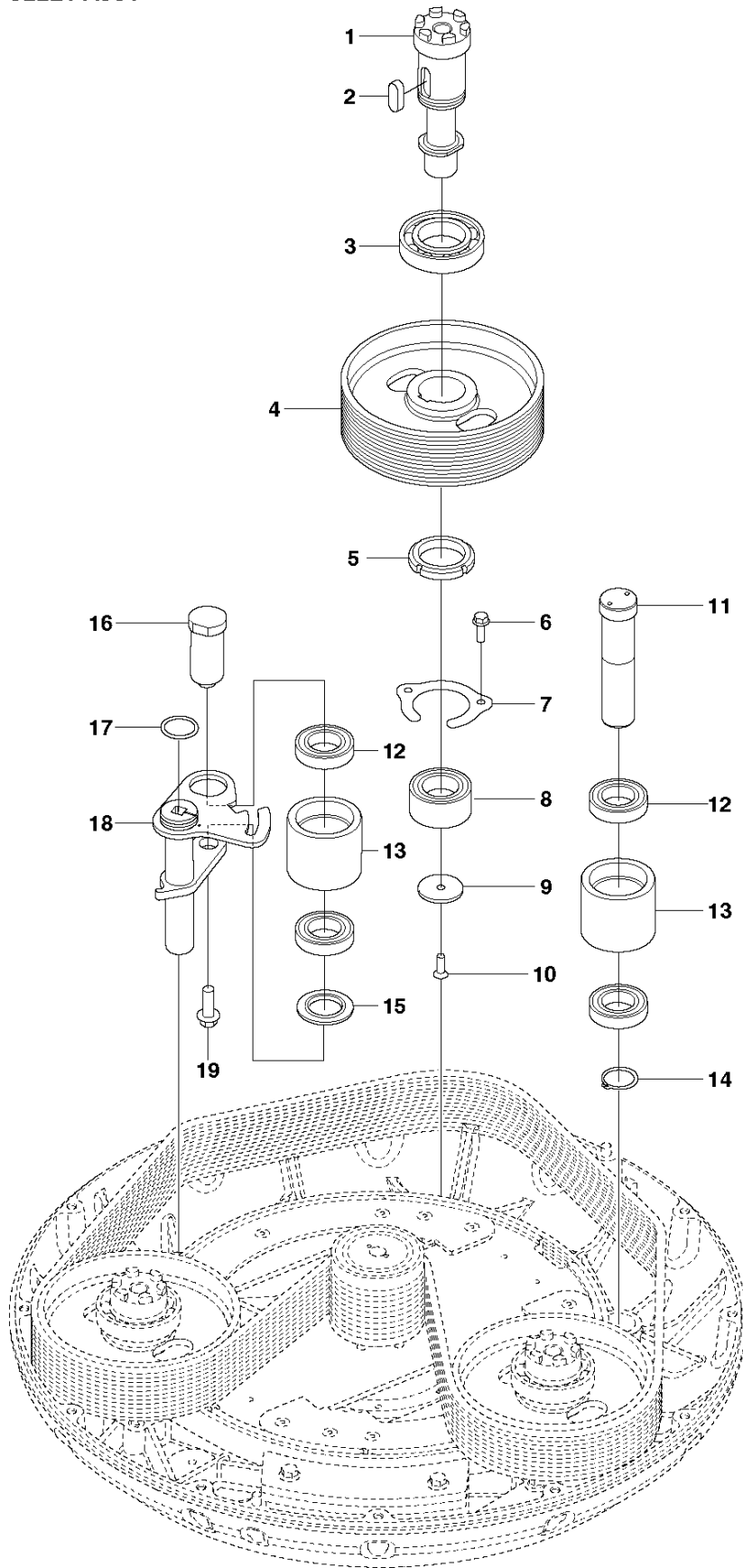
Ref	Part No	Description	Remark	QTY KIT	
1	587 45 14-01	LOCK	M6 drylock	3	
2	502 53 22-01	HOLDER		1	
3	597 16 23-01	SCREW	M12x12 12.9	3	16
4	502 53 40-02	PLATE	Head - Spring steel system	1	16
5	725 53 70-51	SCREW IHSCM	M6x20 12.9	3	16
6	504 74 89-01	SCREW EHHM	M20x40	3	
7	504 74 96-03	LOCKWASHER	20	1	
8	725 24 49-76	SCREW EHHM	M8x16 10.9	6	16
9	734 11 63-01	WASHER	8.4x16x1.6	6	16
10	502 53 40-14	SPACER	10/20x11	6	16
11	502 53 42-01	SPRING	Grinding holder spring	1	16
12	734 11 72-01	WASHER	10.5x20x2	6	16
13	725 24 93-76	SCREW EHHM	M10x25 10.9	6	16
14	502 53 40-05	RUBBER RING	Coupling seal	1	16
15	502 53 40-06	HUB		1	16
16	502 53 40-01	SPRING	Kit assy	3	

D PG 830 S
GRINDING HEAD, INTERNAL



Ref	Part No	Description	Remark	QTY KIT
1	593 96 41-01	SCREW	M10x30	1
2	593 51 37-01	SCREW	M8x45	12
3	593 96 42-01	WASHER	10x20x1	1
4	593 48 72-01	RADIAL SEAL	60x75x8	3
5	595 76 09-01	HOUSING	T8 Bottom	1
6	593 48 75-01	O-RING		1
7	593 53 81-01	TENSIONER	Locking plate	1
8	593 96 40-01	SCREW	M8x16	1
9	597 55 20-01	SCREW	M10x20	3
10	593 49 03-01	BELT	Primary belt	1
11	593 49 02-01	BELT	Secondary belt	1
12	598 47 83-01	SHAFT ASSY	Complete Pulley 830	1
13	593 54 32-01	HUB ASSY	Complete Center Hub 830	1
14	593 54 37-01	BELT TENSIONER		1
15	595 68 15-01	SCREW	M10x60	2
16	595 71 38-01	COUNTERWEIGHT		4
17	593 51 04-01	SCREW	M6x50	1
18	595 71 39-01	TENSIONER	Stop	1
19	595 68 32-01	PIN	PIN 10x26	2
20	593 71 82-01	KIT	Complete Idler Pulley 830	1
21	595 76 08-01	HOUSING	T8 Top	1
22	585 98 04-01	SCREW EHHFM	M10x30	1
23	595 67 99-01	SCREW	M8x55	8
24	597 55 20-01	SCREW	M10x20	3

E PG 830 S
IDLER PULLEY ASSY

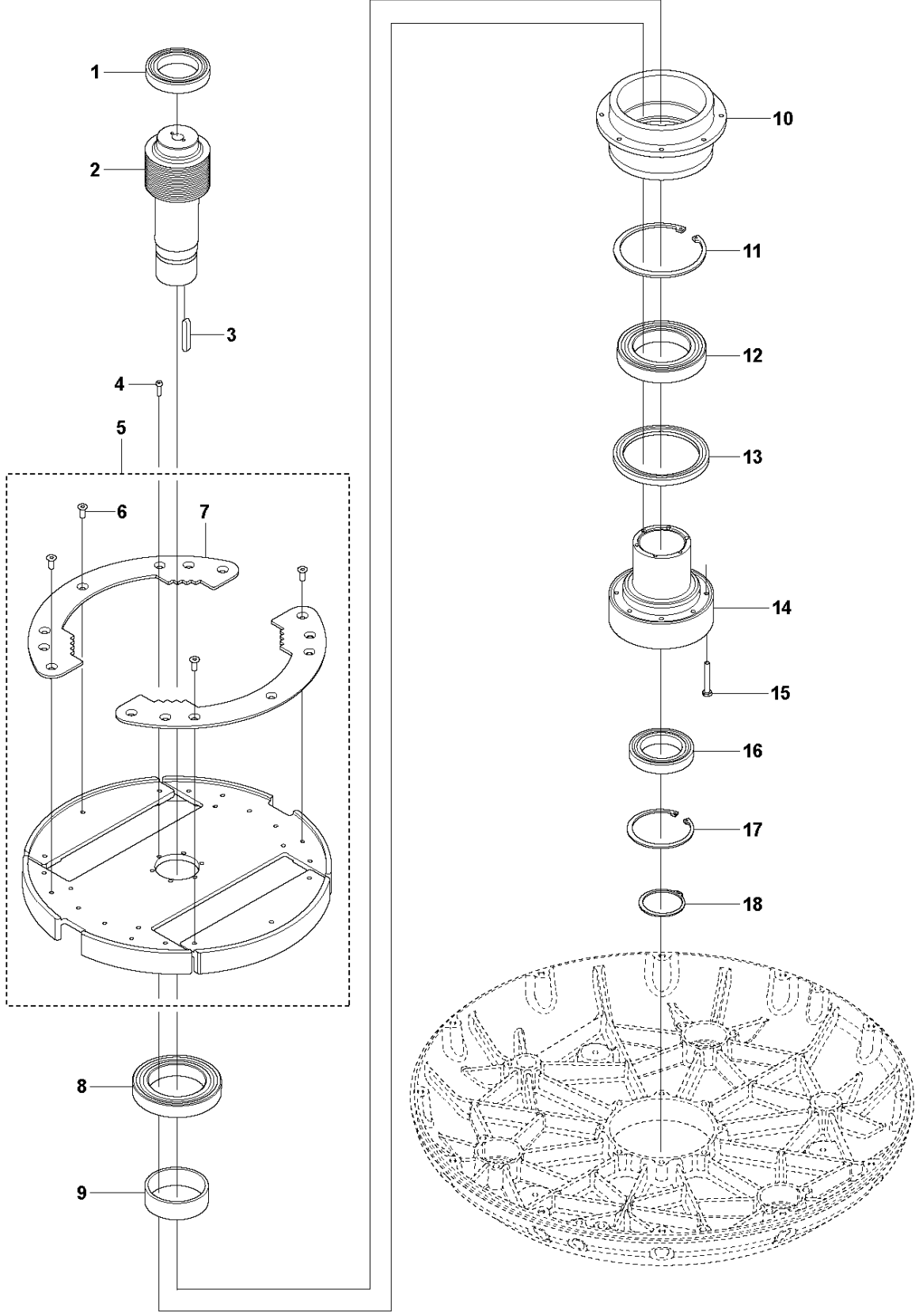


IDLER PULLEY ASSY

PG 830 S, 2020-06

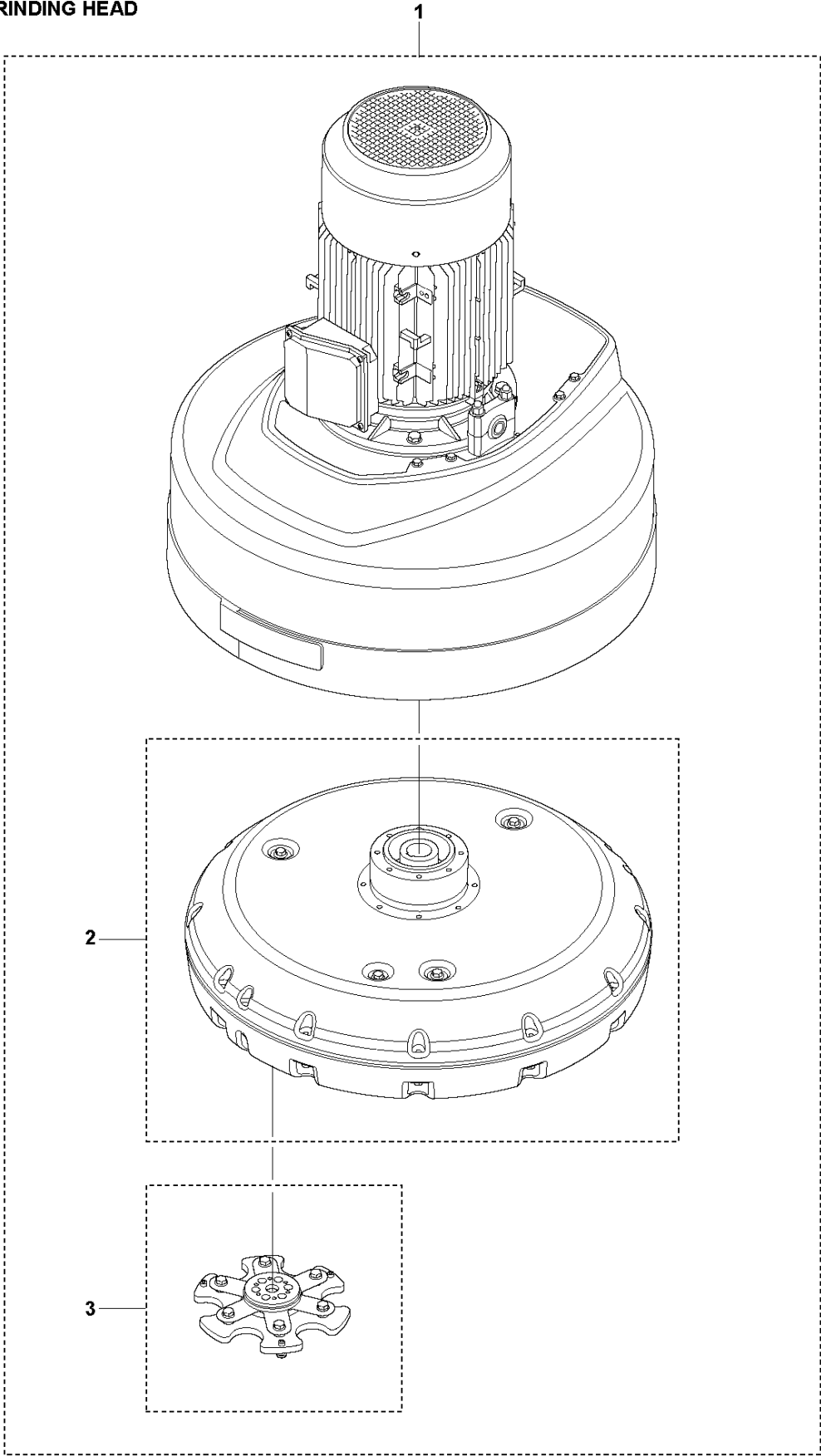
Ref	Part No	Description	Remark	QTY KIT
1	598 02 74-01	SHAFT		1
2	593 48 76-01	KEY	14X9X36 H9	1
3	593 49 27-01	BALL BEARING	6210-2Z C3	1
4	595 75 76-01	PULLEY		1
5	593 48 79-01	NUT	KM10 DIN 981	1
6	506 57 01-05	SCREW EHHFM	M8x25	6
7	595 71 00-01	WASHER	Grinding Shaft	3
8	593 48 77-01	BEARING	Hub	1
9	595 70 99-01	WASHER	Pretension washer	1
10	593 50 17-01	SCREW	M8x25	1
11	595 76 05-01	AXLE		1
12	593 49 28-01	BALL BEARING	6007-2Z C3	4
13	595 70 98-01	PULLEY	Idler Ø80	2
14	593 49 81-01	CIRCLIP	35x1.5,external	1
15	595 75 73-01	SPACER		1
16	595 76 14-01	AXLE		1
17	593 48 78-01	O-RING	34.2x3	1
18	595 76 06-01	TENSIONER	Weldment	1
19	595 68 01-01	SCREW	M12x35	1

F PG 830 S
CENTER HUB ASSY



Ref	Part No	Description	Remark	QTY	KIT
1	593 49 26-01	BALL BEARING	6013-2Z C3	1	
2	595 75 99-01	PULLEY	Center Ø105	1	
3	597 93 25-01	PARALLEL KEY	10x8x60	1	
4	593 51 42-01	SCREW	M6x20	6	
5	595 75 71-01	PULLEY	Secondary	1	
6	593 50 49-01	SCREW	M8x20	14	5
7	595 70 95-01	PULLEY	T8	2	5
8	593 62 99-01	BALL BEARING	6018-2RS1	1	
9	595 71 31-01	SPACER	Ring	1	
10	595 71 30-01	HUB	Center hub outer	1	
11	595 67 98-01	CIRCLIP	Internal 140x4	1	
12	593 62 99-01	BALL BEARING	6018-2RS1	1	
13	593 48 70-01	RADIAL SEAL	120x150x12	1	
14	593 54 29-01	HUB	Center	1	
15	595 67 99-01	SCREW	M8x55	8	
16	593 49 26-01	BALL BEARING	6013-2Z C3	1	
17	593 50 30-01	CIRCLIP	Internal 100x3	1	
18	593 50 29-01	CIRCLIP	External 65x2,5	1	

G PG 830 S
GRINDING HEAD

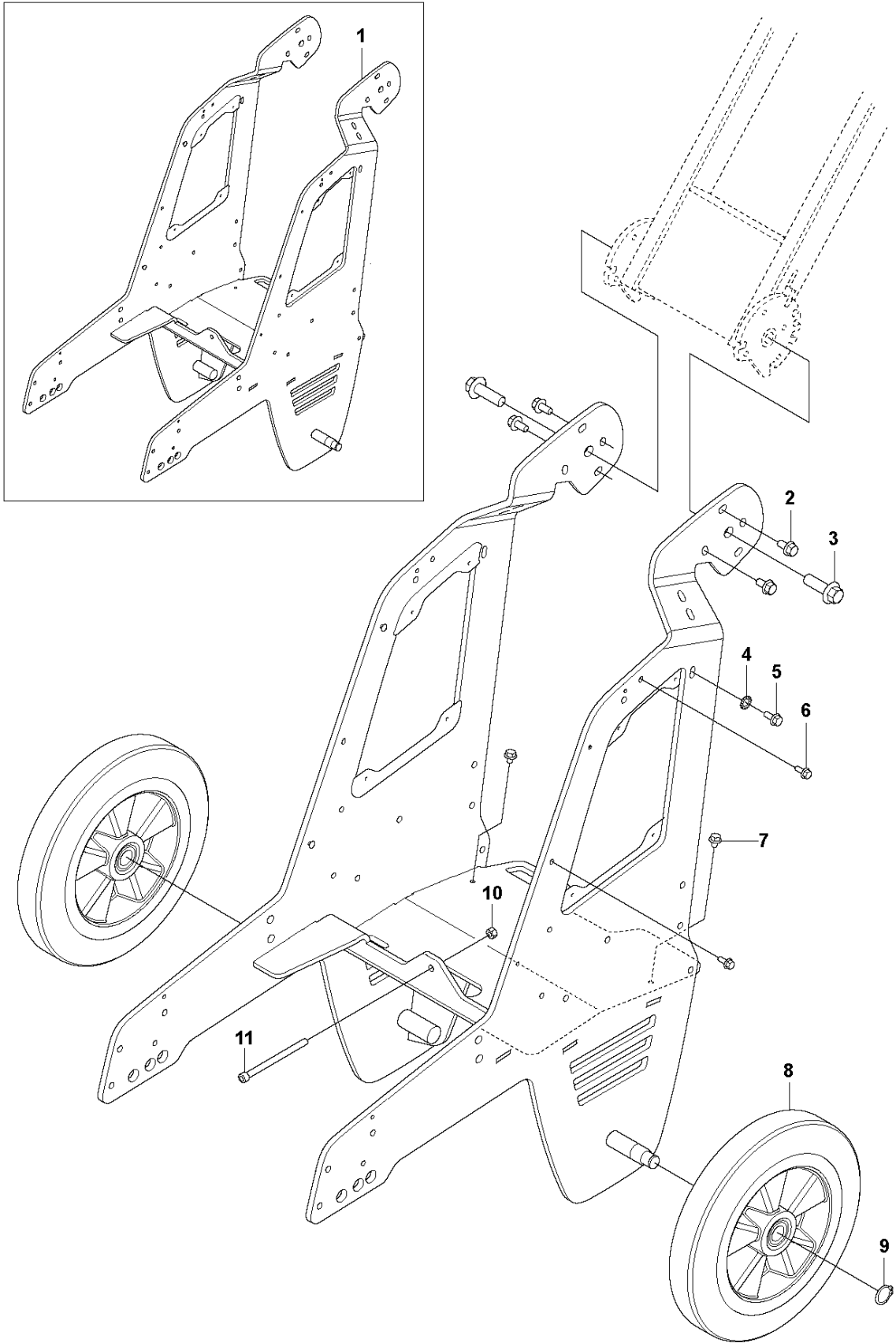


GRINDING HEAD

PG 830 S, 2020-06

Ref	Part No	Description	Remark	QTY KIT	
1	597 74 28-01	GRINDING HEAD	incl Motor, Shroud & Tool Holders	1	
2	597 79 42-01	GRINDING HEAD	excl Motor, Shroud & Tool Holders	1	1
3	502 53 40-01	SPRING	CPL Tool Holder, Head Locks	3	1

H PG 830 S
CHASSIS

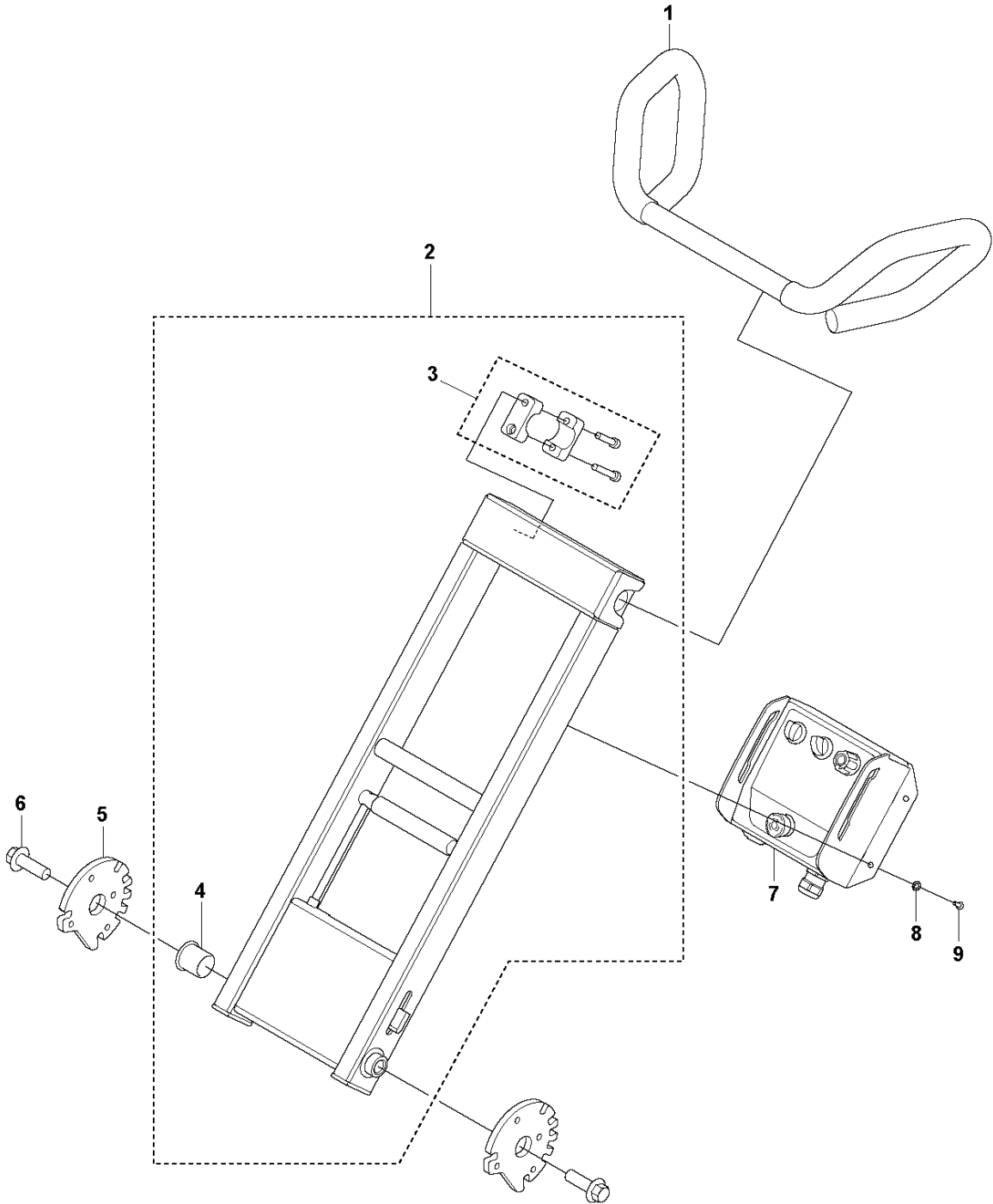


CHASSIS

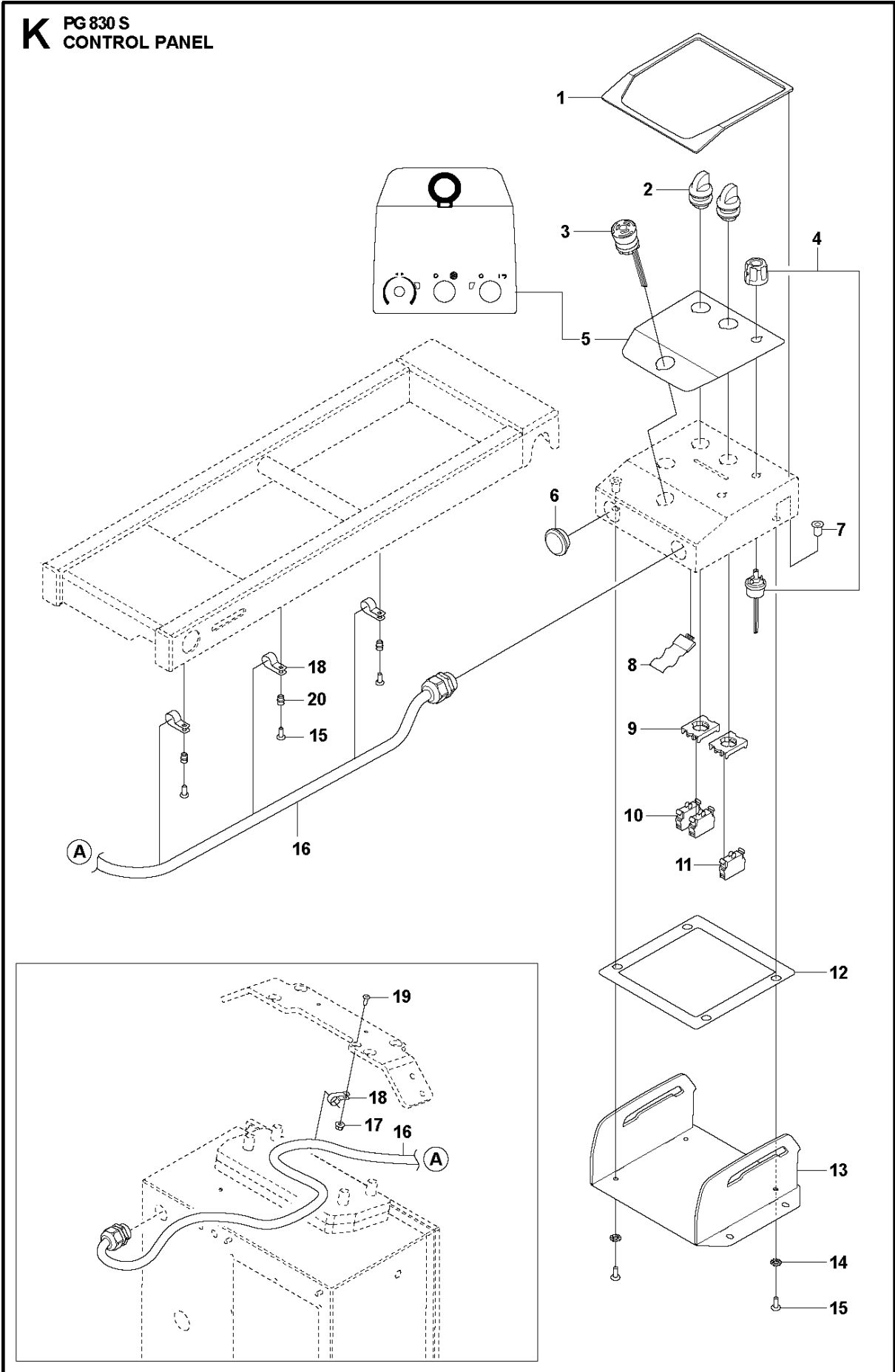
PG 830 S, 2020-06

Ref	Part No	Description	Remark	QTY KIT
1	597 14 47-01	CHASSIS	Weld assy	1
2	585 97 52-01	SCREW EHHFM	M10x20	8
3	582 64 48-01	BOLT	M16x50	2
4	593 51 11-01	LOCKWASHER	M8x20	2
5	506 57 01-04	SCREW EHHFM	M8x20	2
6	585 98 06-01	SCREW EHHFM	M6x16	4
7	597 72 09-01	SCREW	M8x10	2
8	597 34 58-01	WHEEL	PG Push	2
9	735 31 26-01	CIRCLIP	25x1.2, external	2
10	576 64 57-06	NUT FLANGE	M12	1
11	585 23 59-01	SCREW EHHFM	M12x25	1

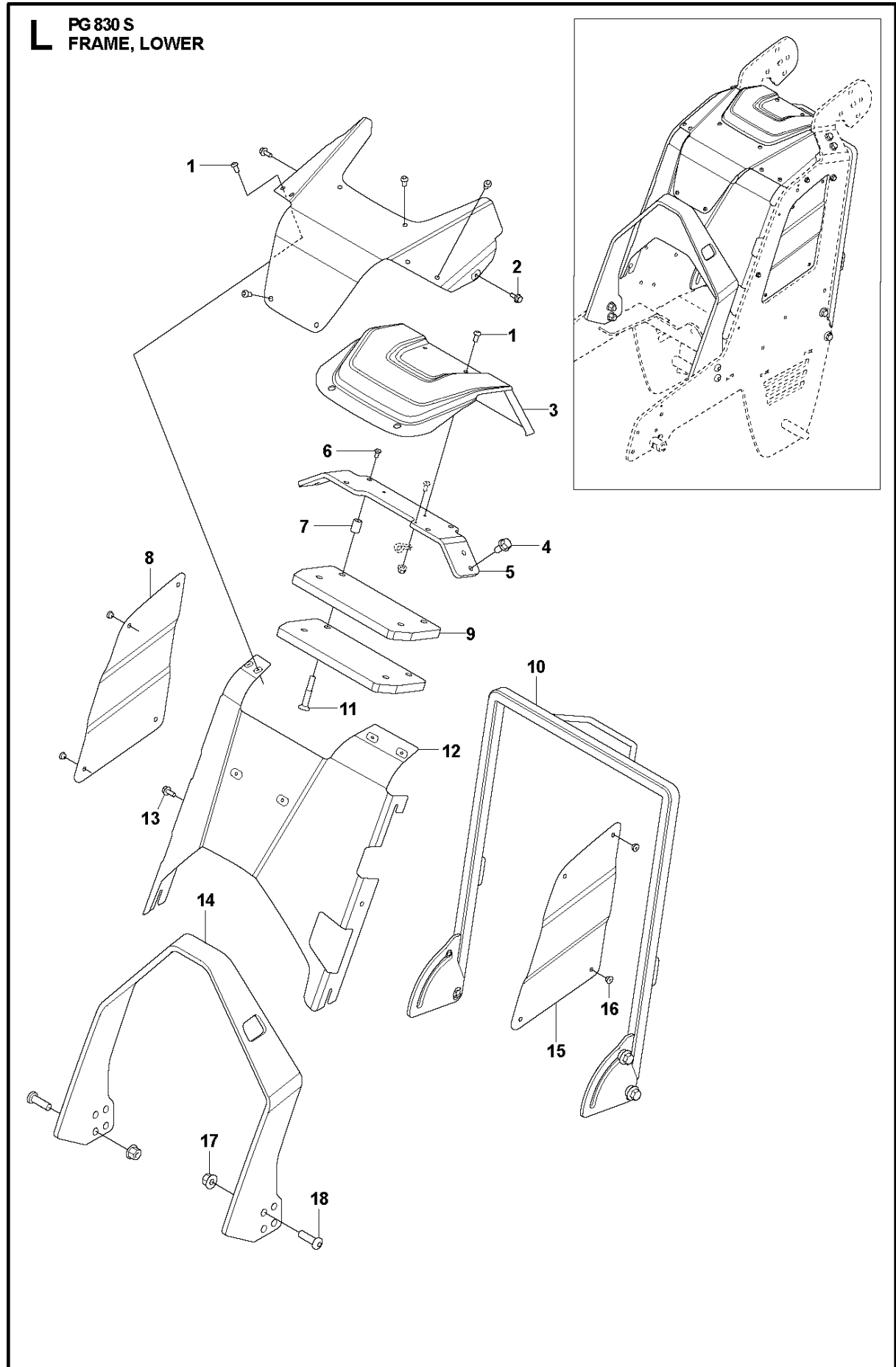
J PG 830 S
FRAME, UPPER



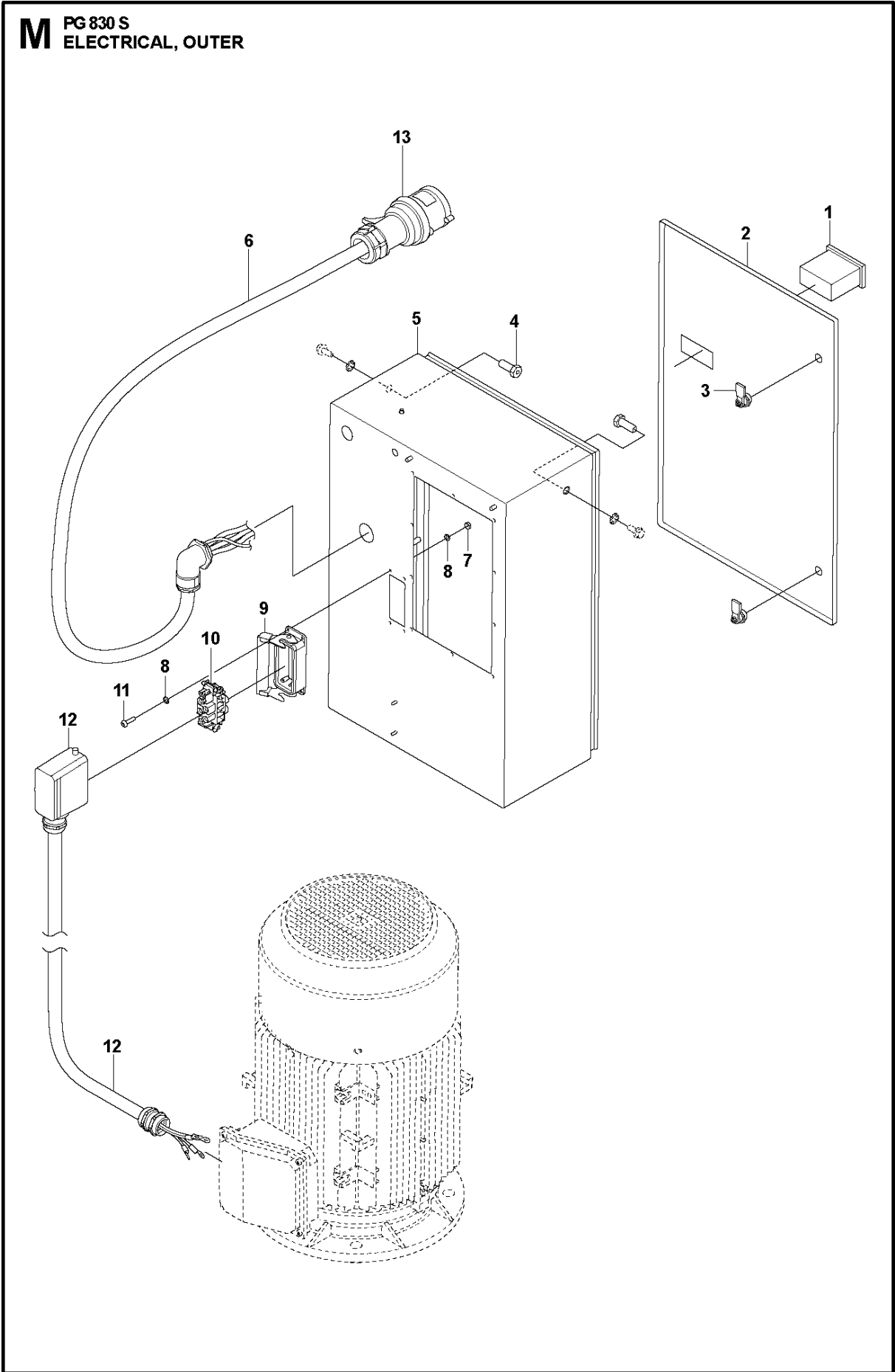
Ref	Part No	Description	Remark	QTY	KIT
1	597 18 39-01	HANDLE	Tube	1	
2	597 80 35-01	HANDLEBAR ASSY	Pre-assembled arm	1	
3	599 65 64-01	CLAMP		2	2
4	593 48 62-01	BEARING	Flanged 30x42x35	2	2
5	596 61 24-01	LOCKING PLATE	Frame	2	
6	582 64 48-01	BOLT	M16x50	2	
7	598 53 43-01	PANEL	HMI Assy 830 S	1	
8	735 21 53-51	LOCKWASHER	6.4x11	4	
9	531 11 94-26	SCREW	M6x16	4	



Ref	Part No	Description	Remark	QTY KIT
1	597 65 41-01	PLATE		1
2	598 53 94-01	SWITCH		1
2	598 53 98-01	SWITCH		1
3	598 55 74-01	SWITCH		1
4	587 28 36-01	SWITCH		2
5	598 55 88-01	STICKER	HMI Decal 830 S	1
6	599 56 07-01	PLUG	Rubber plug	1
7	591 95 78-01	RIVET	M5 Rivet Nut	4
8	598 92 65-01	CABLE	Adapter for overlay	1
9	598 53 95-01	SWITCH		2
10	598 54 00-01	SWITCH	EATON M22-K10/216376	2
11	598 55 70-01	SWITCH	EATON M22-K01/216378	1
12	598 42 96-01	GASKET	Gasket, HMI	1
13	597 64 61-01	BRACKET	Bracket, HMI	1
14	735 21 46-01	LOCKWASHER	5.3x10	4
15	593 50 91-01	SCREW	M5x12	7
16	598 53 91-01	FITTING	M25 Ø8-17 Black	1
17	576 64 57-03	NUT FLANGE	M6	1
18	589 66 91-01	CLIP		3
19	522 66 90-01	SCREW IHSCFM	M6x20	1
20	597 97 82-01	RIVET	M5 Rivet Nut	3



Ref	Part No	Description	Remark	QTY KIT
1	531 11 94-26	SCREW	M6x16	10
2	585 98 06-01	SCREW EHHFM	M6x16	2
3	598 48 91-01	COVER		1
4	585 97 52-01	SCREW EHHFM	M10x20	4
5	596 61 39-01	FRAME BRACKET		1
6	598 92 13-01	SCREW	M8x16	4
7	598 48 01-01	DISTANCE		4
8	597 24 97-01	COVER	Right	1
9	596 61 41-01	COUNTERWEIGHT		2
10	597 18 23-01	BAR	Assy	1
11	598 92 12-01	SCREW	M8x35	4
12	597 94 67-02	FRONT COVER		1
13	585 98 06-01	SCREW EHHFM	M6x16	2
14	597 39 89-01	LIFTING ARM		1
15	597 24 97-02	COVER	Left	1
16	593 50 08-01	RIVET		8
17	576 64 57-06	NUT FLANGE	M12	4
18	598 74 93-01	SCREW	M12x40	4

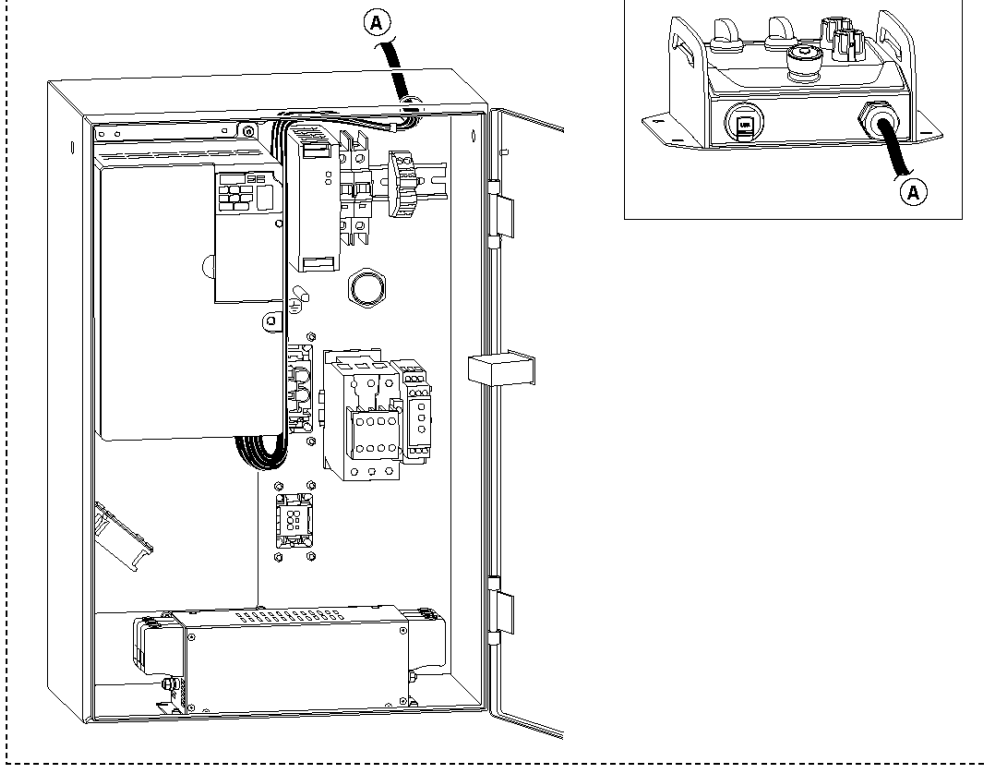


Ref	Part No	Description	Remark	QTY KIT
1	598 53 81-01	HOUR METER		1
2	599 66 94-01	DOOR	Door incl. locks and hinges	1
3	599 66 96-01	LOCK ASSY		2
4	595 72 13-01	SCREW		1
5	598 02 73-01	ELECTRONIC BOX		1
6	598 55 12-01	CABLE		1
7	731 23 12-01	HEXAGON NUT	M4	4
8	735 21 36-01	LOCKWASHER	4.3x8	8
9	598 51 91-01	BRACKET	Housing 15/11Kw	1
10	598 51 92-01	RECEPTACLE	Insert 15/11Kw	1
11	544 29 13-03	SCREW ITPANM	M4x16	4
12	597 60 74-01	CABLE ASSY	Assy 11 Kw	1
13	593 58 48-01	PLUG	3x380-415V 32A EU	1
13	502 54 40-01	PLUG	3x380-415V 32A AUS	1
13	593 58 44-01	PLUG	3x440-480V 30A US	1
13	597 52 84-01	PLUG	3x220-240V 50A US	1

N PG 830 S
ELECTRICAL WIRING

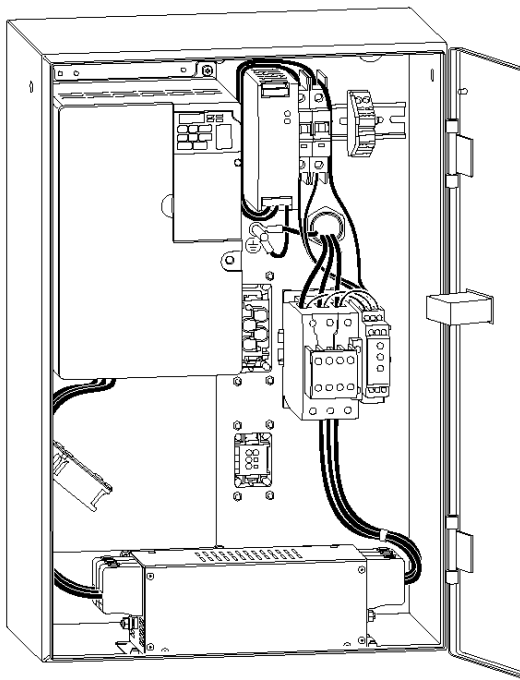
1

CONTROL



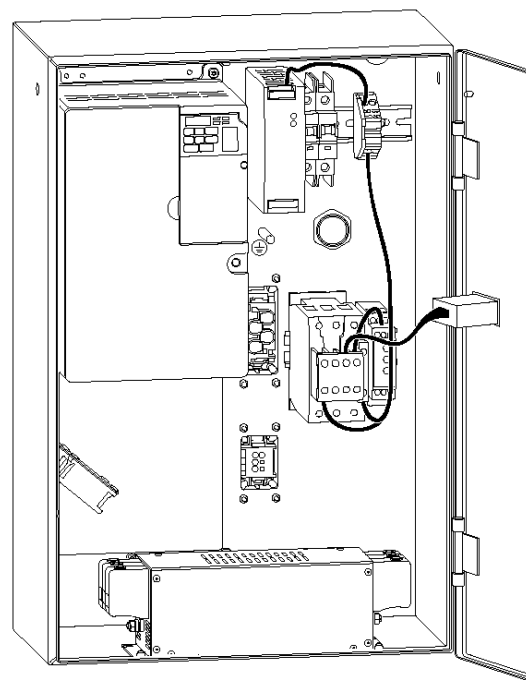
2

POWER



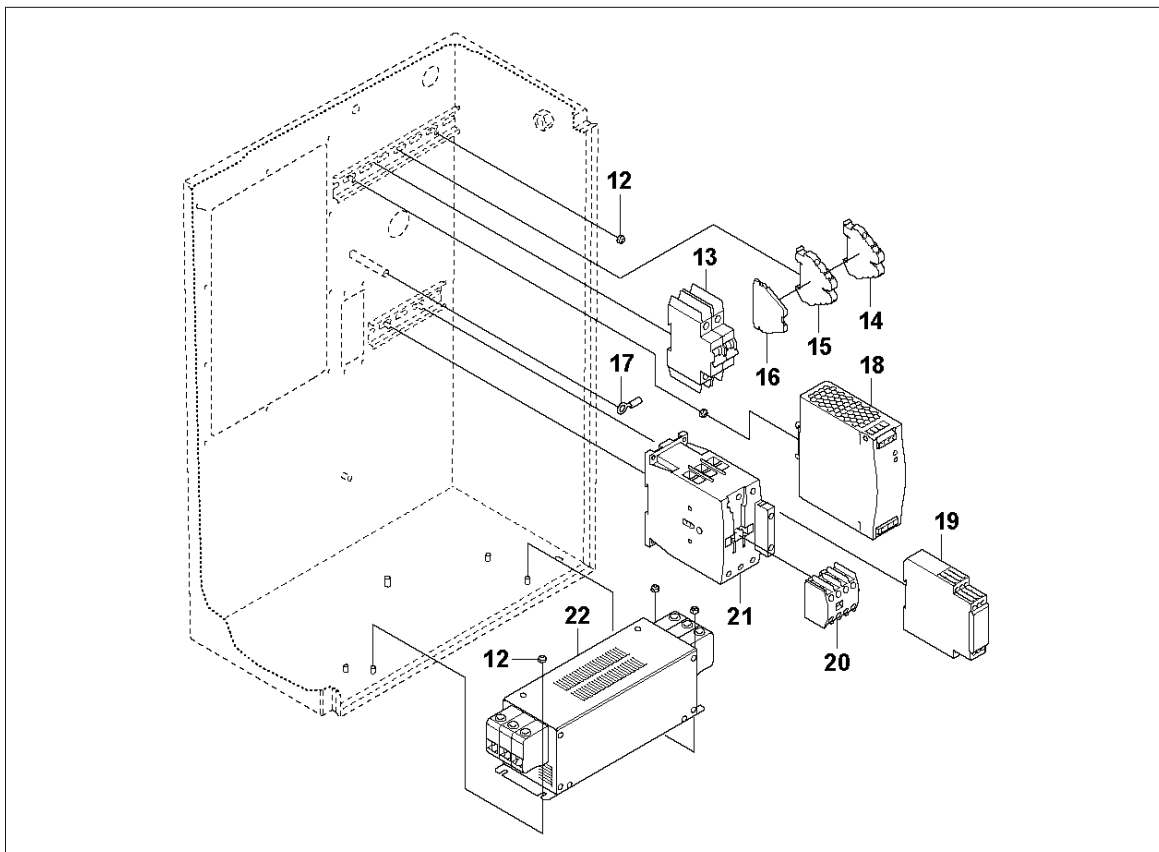
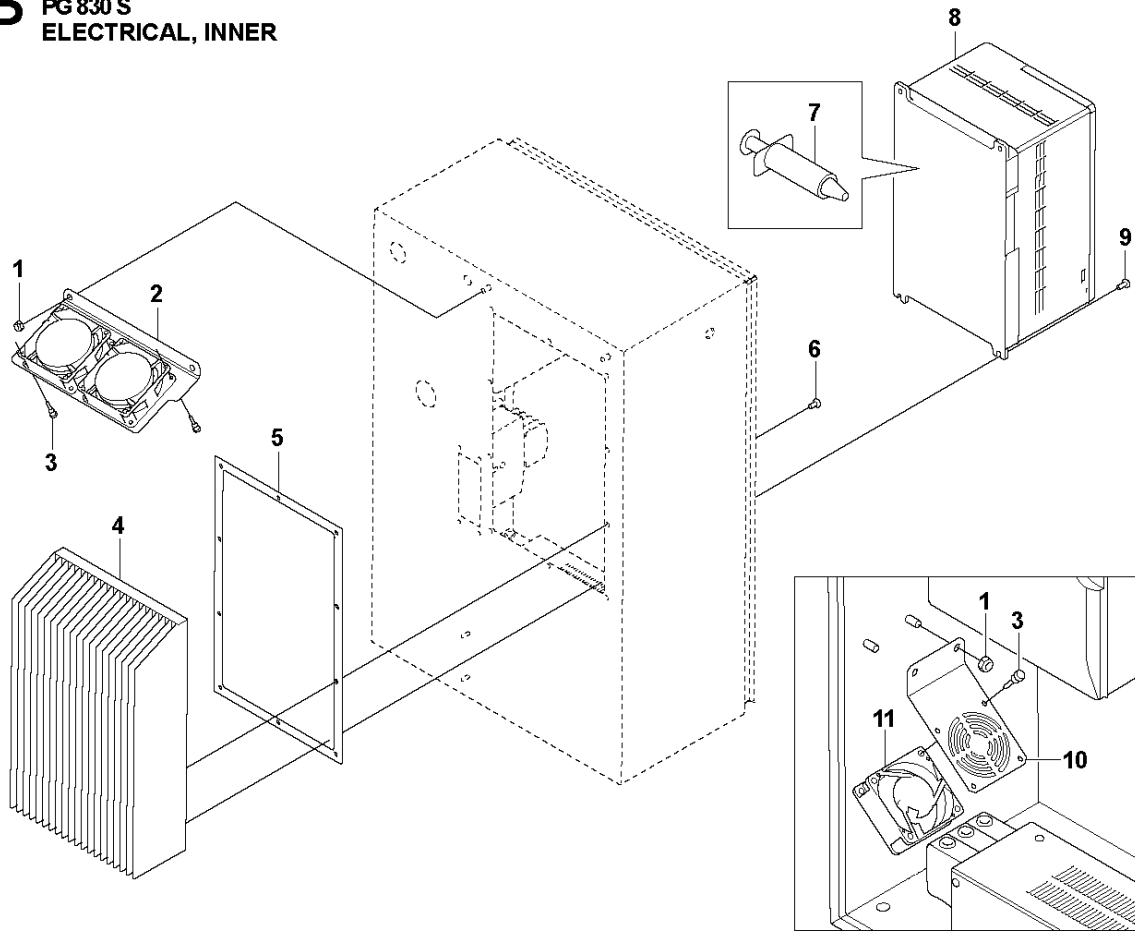
3

24VDC



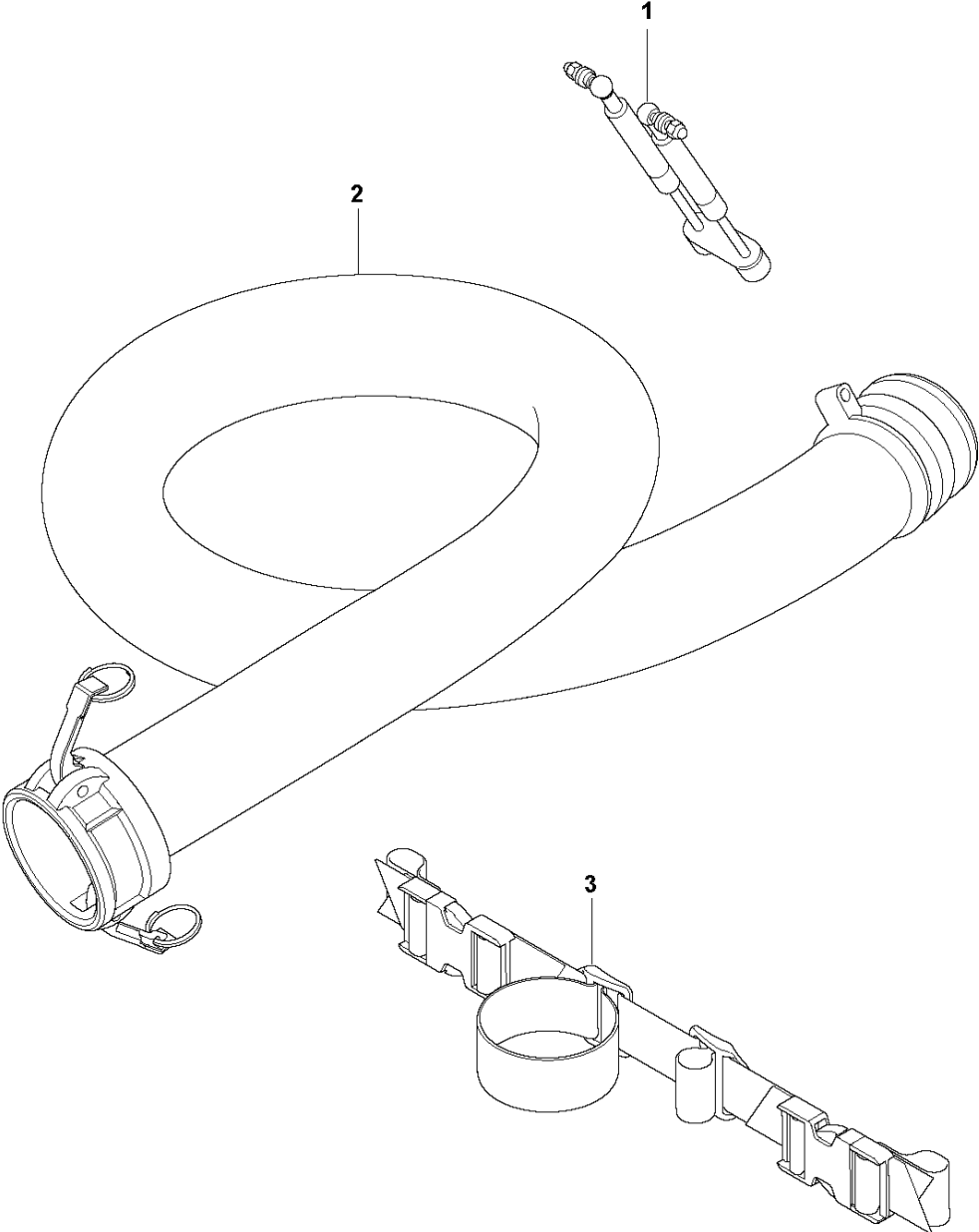
Ref	Part No	Description	Remark	QTY KIT
1	599 77 17-01	CABLE KIT		1
2	599 77 13-01	CABLE KIT		1
3	599 77 06-01	CABLE KIT		1

P PG 830 S
ELECTRICAL, INNER



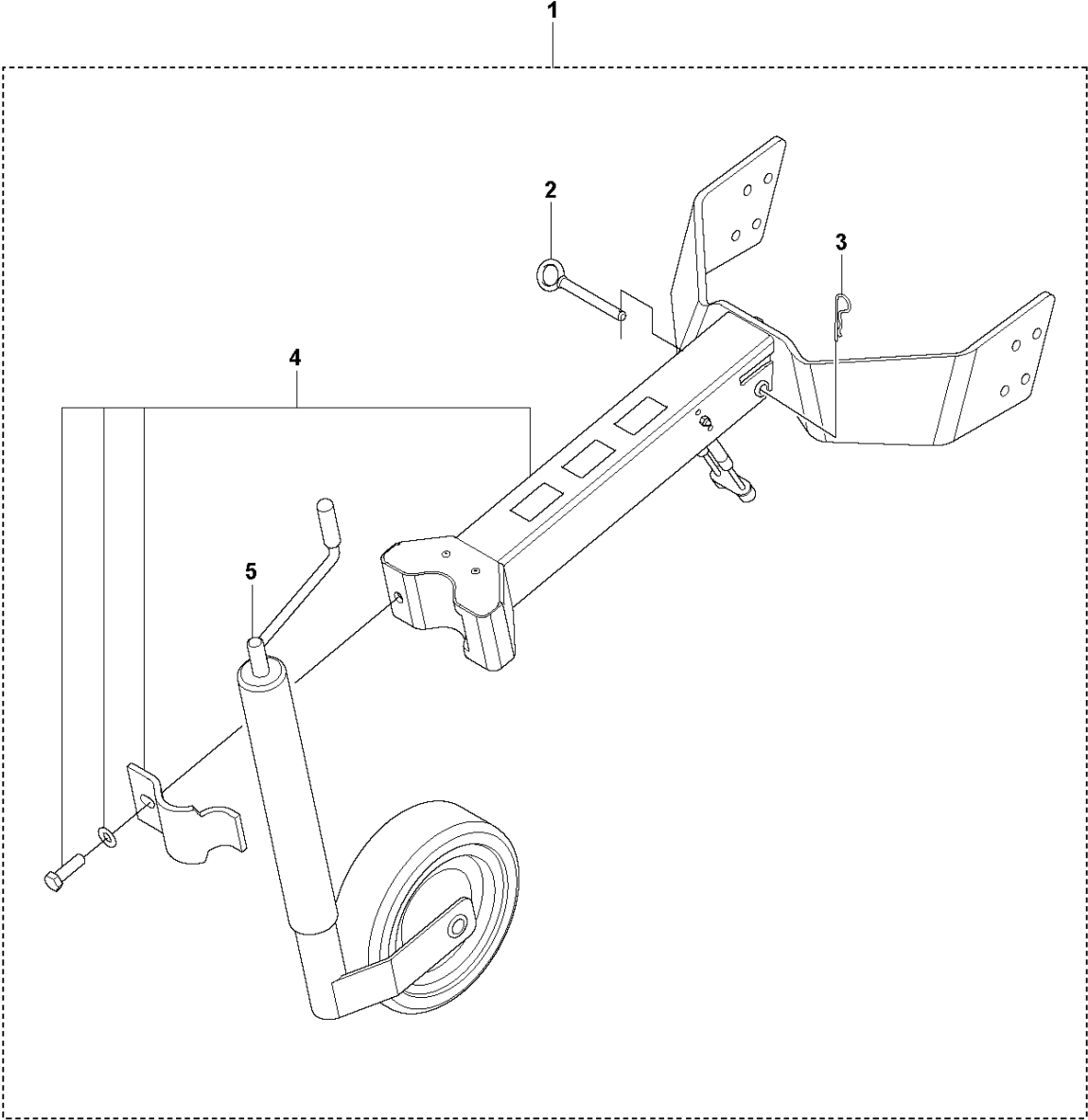
Ref	Part No	Description	Remark	QTY KIT
1	732 21 16-01	LOCK NUT	M6 Lock nut	4
2	597 63 27-01	FAN	24VDC - Heatsink	1
3	595 74 43-01	FAN		12
4	595 71 09-01	HEAT SINK		1
5	593 53 66-01	GASKET	Heat sink	1
6	544 29 13-01	SCREW ITPANM	M5x10	10
7	597 25 59-01	HEAT SINK		1
8	597 75 39-01	DRIVER	3x400V 11kW	1
8	593 55 98-01	FREQUENCY INVERTER	3x200V 11kW	1
9	544 29 13-02	SCREW ITPANM	M5x12 (inverter 11kW)	4
10	595 71 08-01	MOUNT	Plate for 60mm fan	1
11	595 74 44-01	FAN		1
12	732 21 14-01	LOCK NUT	M5	7
13	593 56 01-01	CIRCUIT BREAKER	2-P 5A	1
14	598 51 97-01	TERMINAL	Phoenix contact 3270220	1
15	598 51 98-01	TERMINAL	Phoenix contact 3270158	1
16	598 51 99-01	TERMINAL	Phoenix contact 3270152	1
17	598 68 94-01	TERMINAL	Ring terminal M8	1
18	595 74 74-01	POWER SUPPLY	24VDC 120W	1
19	598 52 63-01	SENSOR	Phase/Voltage Monitor 380-480V	1
19	598 53 88-01	SENSOR	Phase/Voltage Monitor 200-240V	1
20	598 53 84-01	CONTACT	Eaton DILM 50	1
21	593 55 94-01	CONTACTOR	380-480V	1
21	593 55 92-01	CONTACTOR	200-240V	1
22	593 55 99-01	FILTER	3x200-520V - 30A	1
22	593 56 00-01	FILTER	3x200V - 50A	1

Q PG 830 S
MISC SPARE PARTS



Ref	Part No	Description	Remark	QTY KIT
1	598 76 53-01	GAS SPRING	Kit	1
2	599 69 00-01	HOSE KIT		1
3	593 53 67-01	STRAP	Vac hose guide assy	1

R PG 830 S
SUPPORT WHEEL

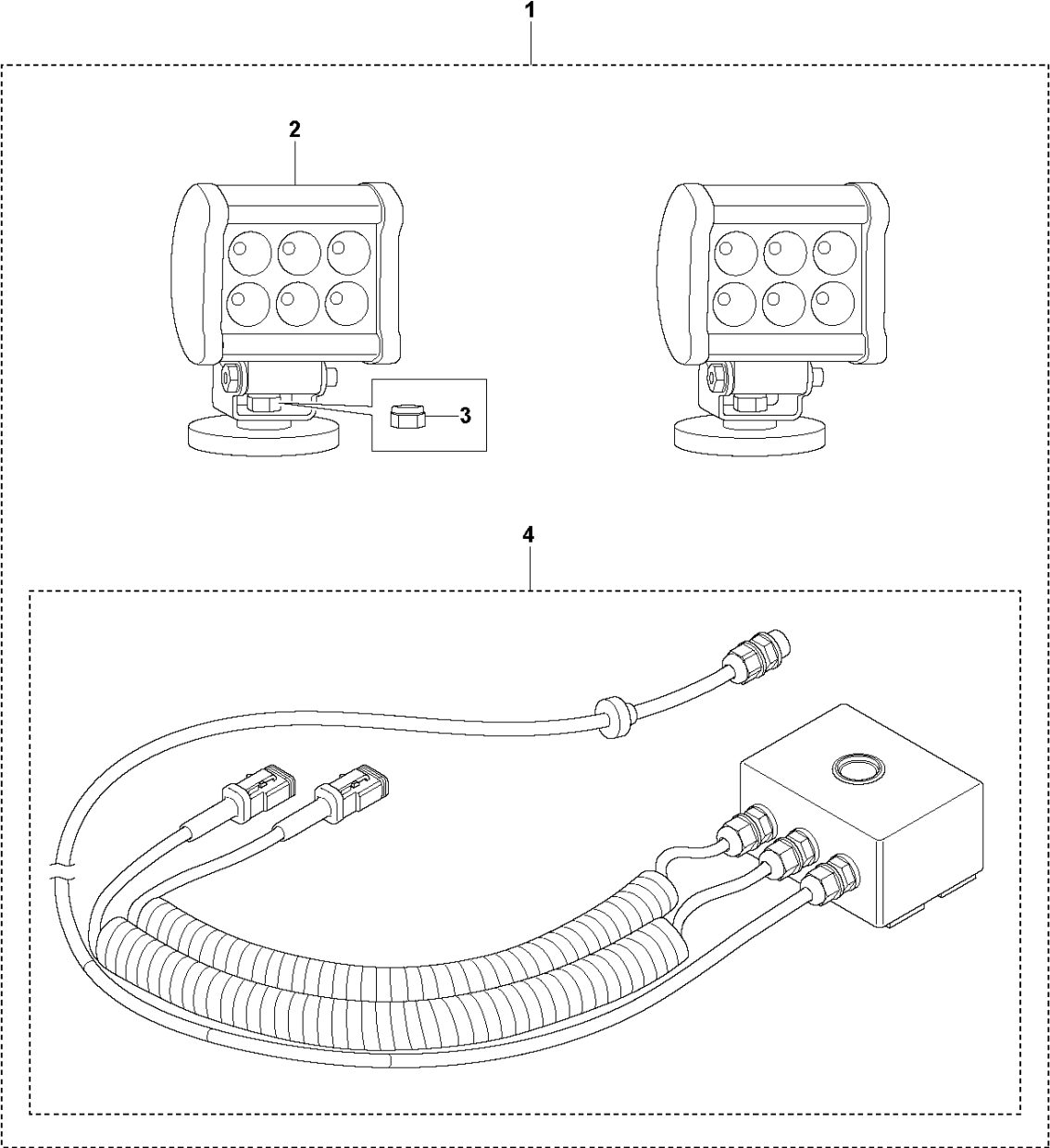


SUPPORT WHEEL

PG 830 S, 2020-06

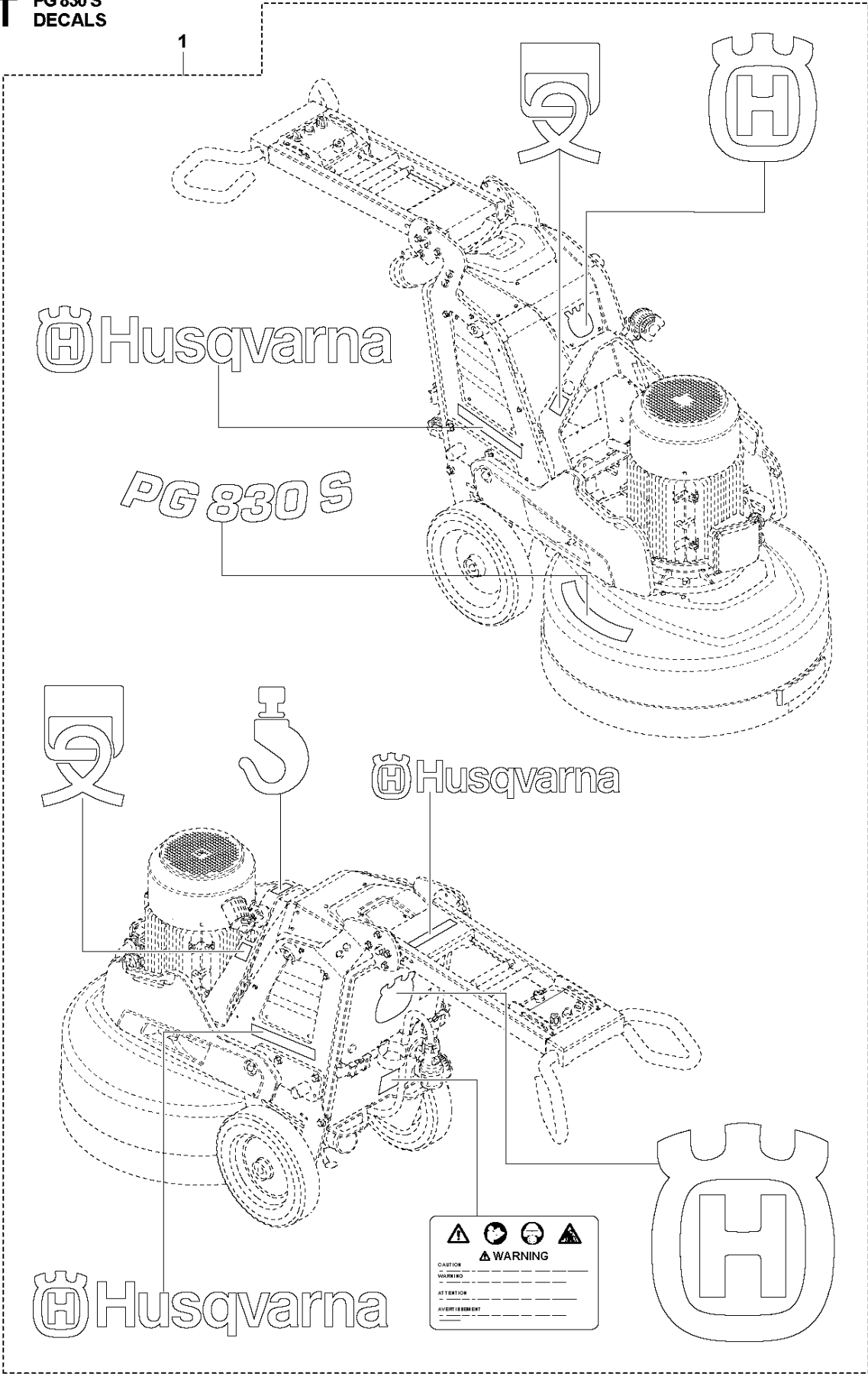
Ref	Part No	Description	Remark	QTY KIT
1	598 41 87-01	SUPPORT WHEEL		1
2	598 41 93-01	AXLE		1
3	721 68 02-51	SPRING COTTER		1
4	598 76 59-01	SUPPORT WHEEL	Arm, Holder and Gas Spring Kit	1
5	593 47 00-01	SUPPORT WHEEL		1

S PG 830 S
LIGHT KIT



Ref	Part No	Description	Remark	QTY KIT	
1	597 92 52-01	LIGHT		1	
2	593 54 06-01	LIGHT		2	1
3	593 49 98-01	LOCK NUT		2	1
4	598 69 22-01	CABLE		1	1

T PG 830 S
DECALS



Ref	Part No	Description	Remark	QTY KIT
1	599 65 56-05	DECAL KIT	PG 830S	1