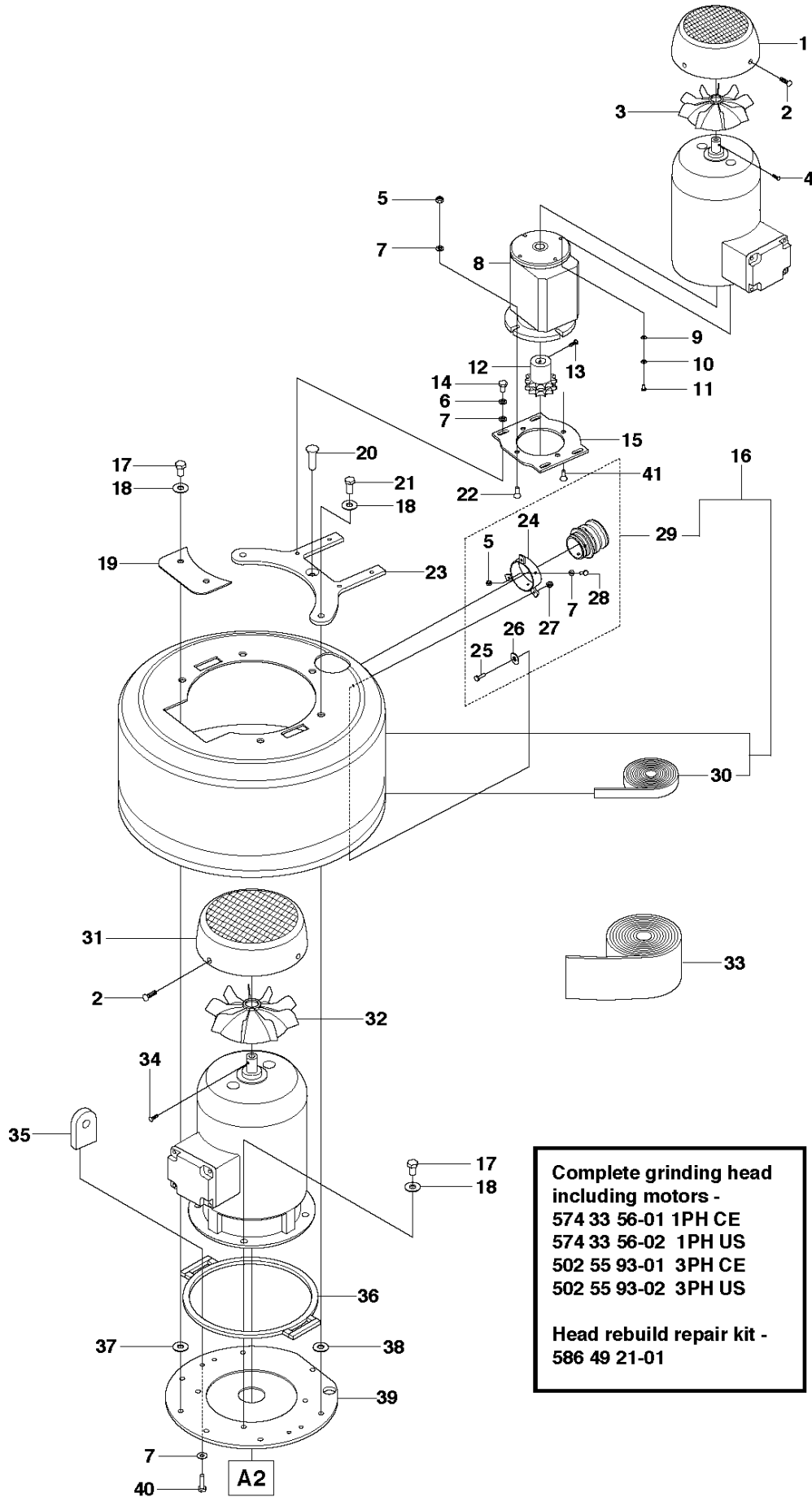




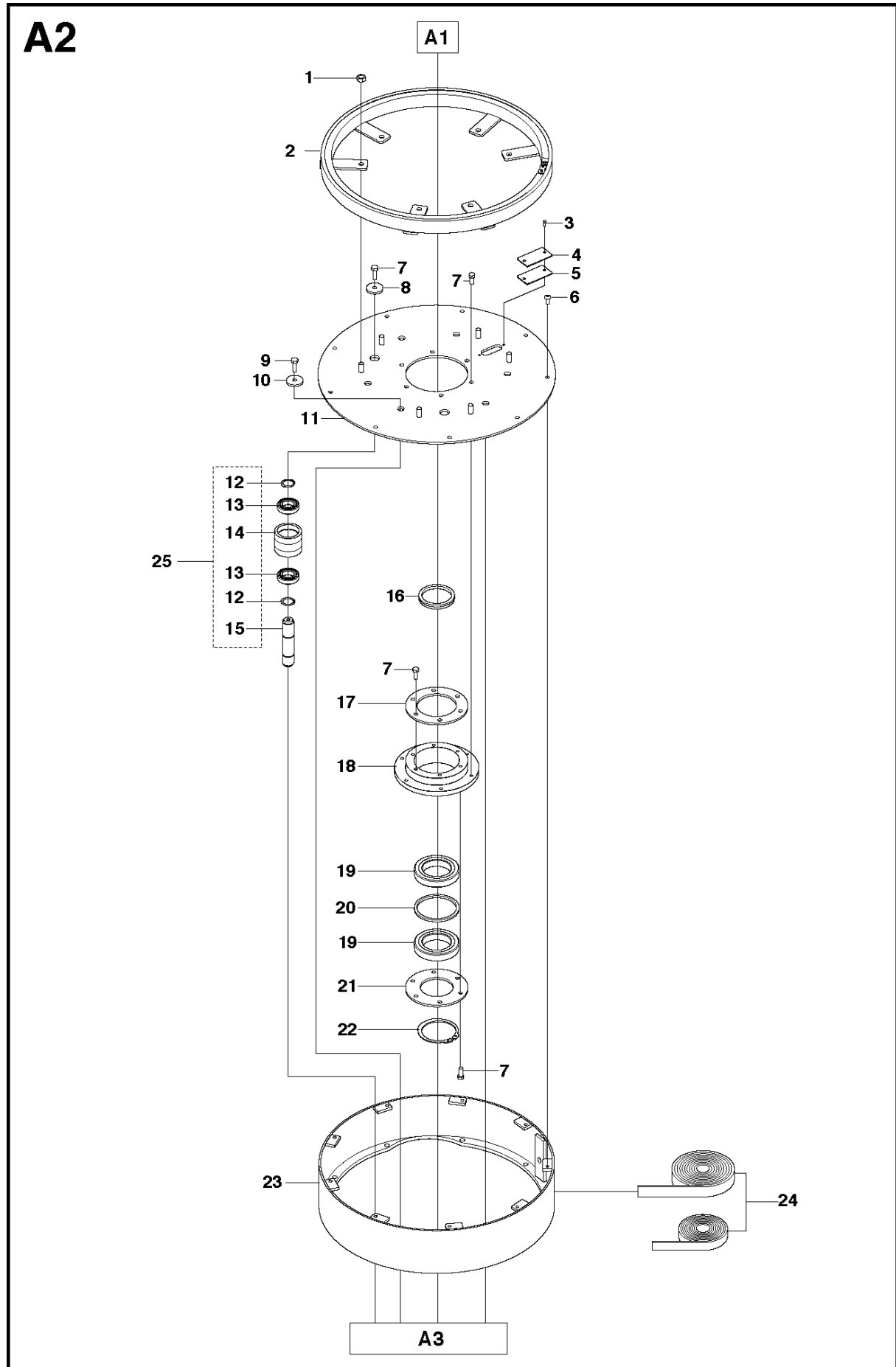
SPARE PARTS LIST

SURFACE PREPARATION EQUIPMENT

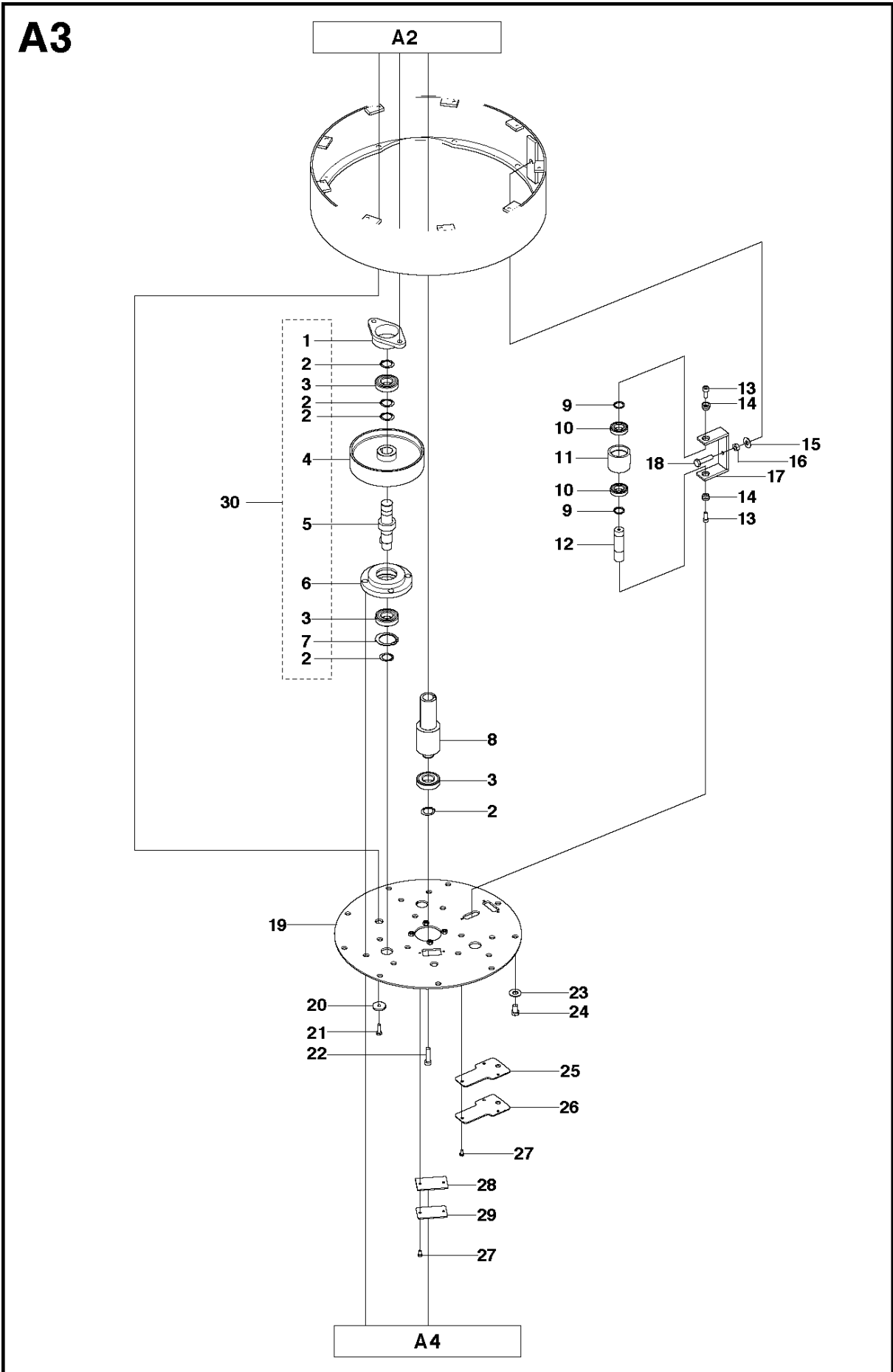
PG 530, Machine 0904-01 and forward,
2010-02

A1

Ref	Part No	Description	Remark	QTY	KIT
1	522 65 84-01	COVER		1	
2	723 13 20-51	SCREW SLCHM		7	
3	522 65 86-01	FAN		1	
4	522 65 85-01	PEN		1	
5	732 25 18-01	HEXAGON LOCKING NUT		6	16, 29
6	735 11 64-01	SPRING WASHER		8	
7	734 11 63-01	WASHER		14	16, 29
8	502 55 96-01	GEARBOX		1	
9	734 11 52-01	WASHER		4	
10	735 11 53-01	WASHER		4	
11	725 23 72-71	SCREW EHHM		4	
12	502 56 40-01	DRIVE SPROCKET		1	
13	541 40 51-78	SCREW IHANM		2	
14	725 24 49-76	SCREW EHHM		4	
15	502 56 16-01	PLATE		1	
16	522 65 89-01	COVER ASSY		1	
17	725 25 32-71	SCREW EHHM		8	
18	734 11 78-01	WASHER		10	
19	504 72 51-01	COVER PLATE		1	
20	522 65 81-01	SCREW IHCSFM		1	
21	725 25 36-71	SCREW EHHM		2	
22	725 64 55-51	SCREW IHCSFM		4	
23	502 56 15-01	BRACKET		1	
24	522 65 87-01	BRACKET		1	16, 29
25	724 33 70-51	SCREW CRCSFM		3	16, 29
26	504 74 73-01	WASHER		2	
27	732 25 16-01	HEXAGON LOCKING NUT		3	16, 29
28	725 24 53-76	SCREW EHHM		2	16, 29
29	522 65 88-01	ASSEMBLY		1	16, 29
30	502 53 85-01	COVER		1	
31	505 55 66-01	COVER		1	16
31	522 65 90-01	COVER		1	
32	505 55 65-01	FAN		1	
32	522 65 92-01	FAN		1	
33	590 49 92-01	RUBBER SKIRT		1	
34	522 65 93-01	PEN		1	
35	504 72 56-01	LIFTING LUG		2	
36	502 56 87-01	SEAL		1	
37	504 72 63-04	WASHER		2	
38	504 72 95-01	WASHER		5	
39	502 56 13-01	PLATE		1	
40	725 24 55-76	SCREW EHHM		4	
41	725 64 51-51	SCREW IHCSFM		1	

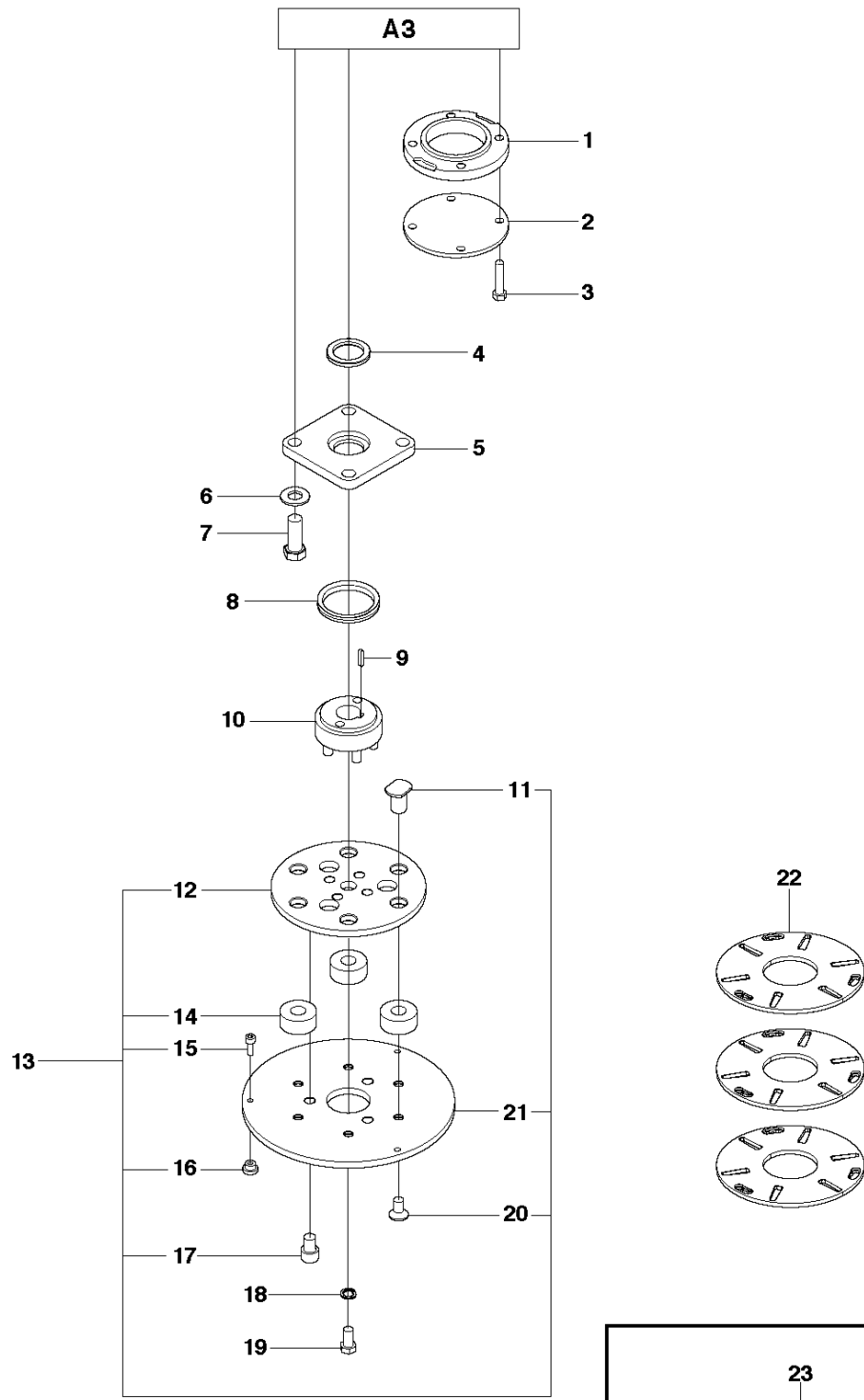


Ref	Part No	Description	Remark	QTY KIT
1	732 25 20-01	HEXAGON LOCKING NUT		6
2	502 56 23-01	CHAIN		1
3	724 13 64-51	SCREW CRPANM		2
4	504 72 79-01	COVER PLATE		1
5	516 05 85-01	SEAL		1
6	522 61 99-01	SCREW IHPANM		9
7	725 24 51-76	SCREW EHHM		20
8	543 04 66-47	WASHER		2
9	522 62 01-01	SCREW		6
10	734 11 82-01	WASHER		6
11	502 56 11-01	TOP PLATE		1
12	735 31 26-00	CIRCLIP		2
13	502 56 28-01	BALL BEARING		2
14	502 56 04-01	PULLEY		1
15	502 56 03-01	SHAFT		2
16	502 53 98-01	SEAL		1
17	504 72 50-01	PLATE		1
18	502 56 08-01	BEARING HOUSING		1
19	502 56 26-01	BALL BEARING		2
20	504 72 48-01	SPACER		1
21	504 72 49-01	PLATE		1
22	502 53 96-01	CIRCLIP		1
23	502 56 20-01	RIM		1
24	582 31 86-03	SEAL KIT		1
25	579 37 36-01	PULLEY ASSY		1



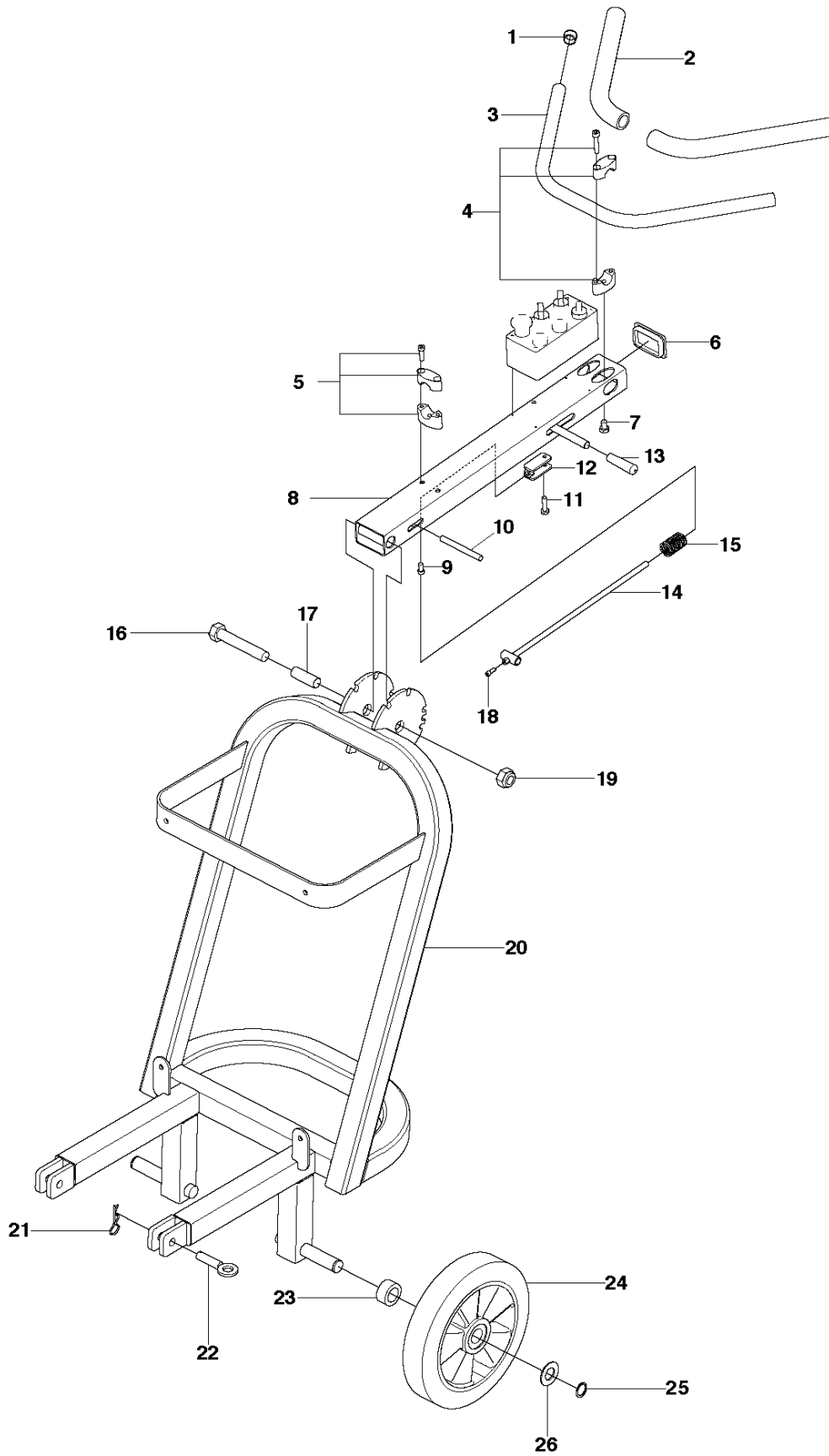
Ref	Part No	Description	Remark	QTY KIT
1	502 56 07-01	BEARING HOUSING		3
2	735 31 30-00	CIRCLIP		13
3	502 56 24-01	BALL BEARING		7
4	502 56 00-01	PULLEY		3
5	502 56 02-01	SHAFT		3
6	502 56 06-01	BEARING HOUSING		3
7	502 56 33-01	CIRCLIP		3
8	502 56 01-01	PULLEY		1
9	735 31 26-00	CIRCLIP		2
10	502 56 28-01	BALL BEARING		2
11	502 56 04-01	PULLEY		1
12	502 56 05-01	SHAFT		1
13	725 54 51-01	SCREW IHSCM		2
14	504 72 42-01	GUIDE BUSHING		2
15	734 11 72-01	WASHER		1
16	731 23 20-01	HEXAGON NUT		1
17	502 56 19-01	FRAME		1
18	725 24 99-71	SCREW EHHM		1
19	502 56 12-01	BOTTOM PLATE		1
20	543 04 66-47	WASHER		2
21	725 24 51-76	SCREW EHHM		2
22	522 62 02-01	SCREW IHSCM		1
23	734 11 78-01	WASHER		9
24	725 25 34-71	SCREW EHHM		9
25	522 65 95-01	SEAL		1
26	504 72 55-01	COVER PLATE		1
27	725 23 66-71	SCREW EHHM		5
28	516 05 85-01	SEAL		1
29	504 72 79-01	COVER PLATE		1
30	576 95 10-01	PULLEY		1

A4



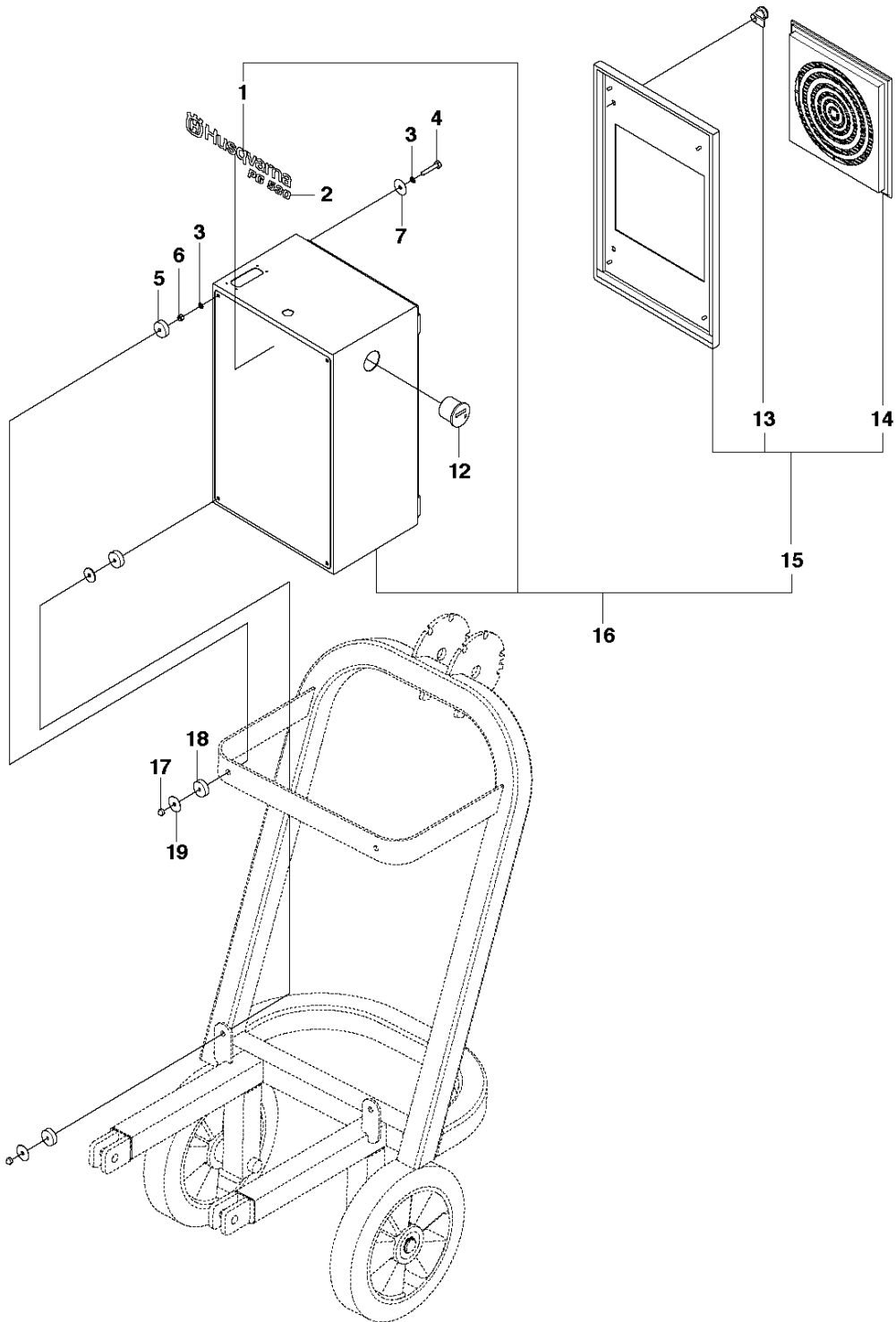
Ref	Part No	Description	Remark	QTY	KIT
1	502 56 09-01	BEARING HOUSING		1	
2	502 56 14-01	COVER PLATE		1	
3	725 24 55-76	SCREW EHHM		4	
4	502 56 34-01	RADIAL SEAL		3	
5	504 75 98-01	HOUSING		3	
6	734 11 82-01	WASHER		12	
7	522 62 03-01	SCREW		12	
8	502 56 36-01	SEAL		3	
9	522 65 96-01	PARALLEL KEY		3	
10	502 56 10-01	HEAD		3	
11	522 65 98-03	PEN		18	13
12	522 65 97-01	PLATE		3	13
13	502 55 82-01	GRINDER		3	
14	502 53 39-01	WASHER		9	13
15	725 53 68-51	SCREW IHSCM		9	13
16	502 53 44-01	LOCK		9	13
17	504 74 84-01	SCREW IHSCM		9	13
18	504 74 96-02	LOCKWASHER		3	
19	522 66 18-01	SCREW EHHM		3	
20	725 64 91-51	SCREW IHCSFM		18	13
21	522 65 98-02	PLATE		3	13
22	502 54 58-01	HOLDER		3	
23	502 56 39-01	DRIVE CABLE		1	

B1



Ref	Part No	Description	Remark	QTY KIT
1	543 04 60-41	EMBOUT REF 320 GL 25/		2
2	502 54 49-22	RUBBER COVER		2
3	502 56 65-13	HANDLE TUBE		1
4	502 54 49-25	HANDLEBAR		2
5	502 54 49-26	HANDLEBAR		1
6	516 05 90-01	HUB CAP		1
7	725 24 89-76	SCREW EHHM		2
8	502 56 65-02	HANDLEBAR ASSY		1
9	725 54 45-01	SCREW IHSCM		2
10	516 05 93-01	PEN		1
11	725 24 55-76	SCREW EHHM		1
12	502 54 49-05	BRACKET		1
13	502 54 49-23	RUBBER COVER		1
14	522 65 99-01	ROD		1
15	502 54 49-27	COMPRESSION SPRING		1
16	504 75 07-01	SCREW		1
17	516 05 97-01	SLEEVE		1
18	724 13 64-51	SCREW CRPANM		1
19	504 75 06-01	LOCK NUT		1
20	502 56 64-01	CHASSIS		1
21	721 68 02-51	SPRING COTTER		2
22	504 72 97-01	PEN		2
23	504 72 77-07	SPACING TUBE		2
24	502 54 50-01	WHEEL		2
25	735 31 26-00	CIRCLIP		2
26	504 75 14-01	WASHER		2

B2



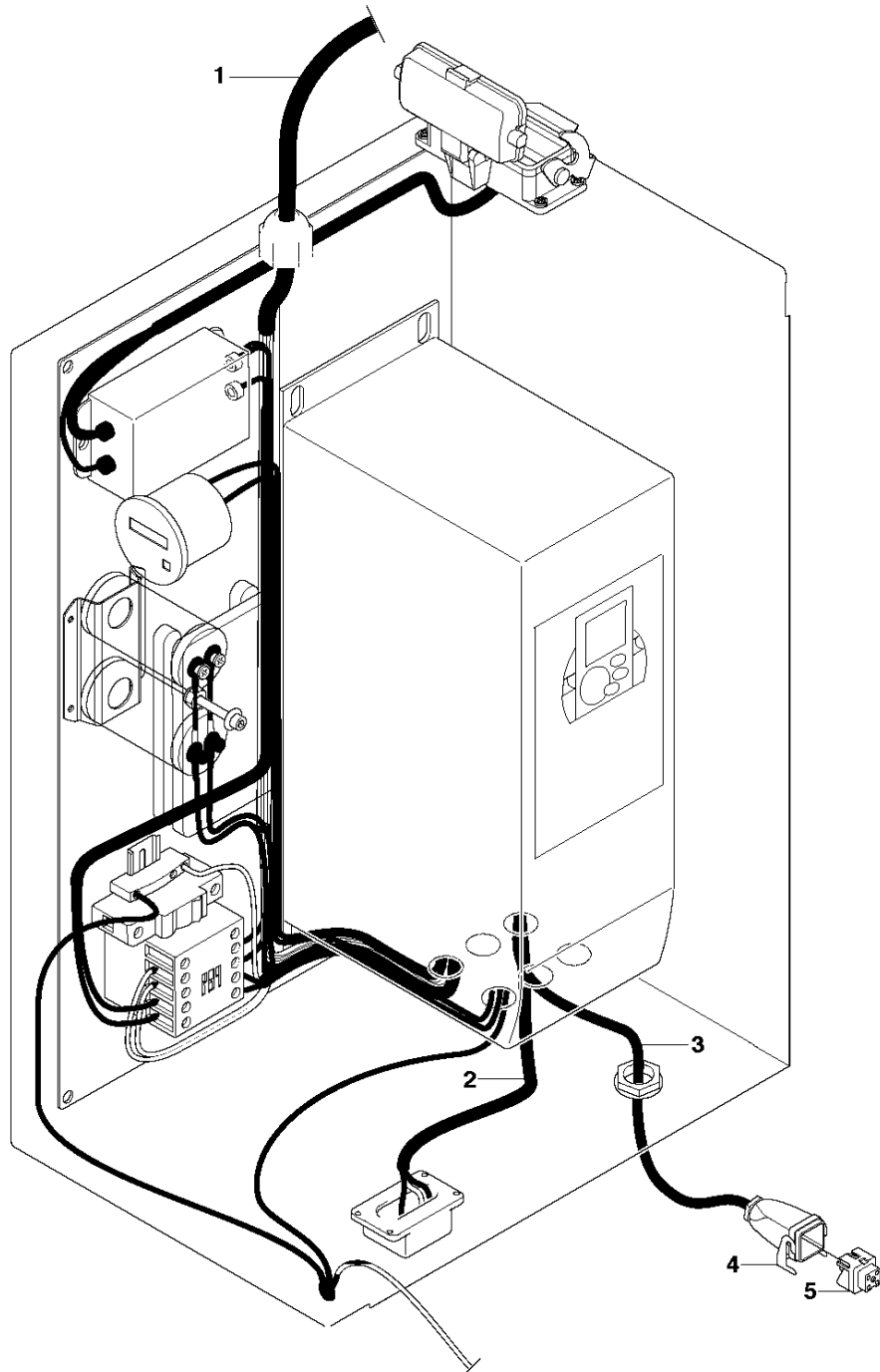
Electrical Box externals

PG 530, Machine 0904-01 and forward, 2010-02

Ref	Part No	Description	Remark	QTY	KIT
1	525 48 88-01	DECAL		1	16
2	525 48 85-01	DECAL		1	
3	735 21 64-01	LOCKWASHER		8	
4	725 24 61-71	SCREW EHHM		4	
5	502 53 39-01	WASHER		4	
6	732 25 18-01	HEXAGON LOCKING NUT		4	
7	504 74 73-01	WASHER		4	
12	504 74 13-01	HOUR METER		1	
12	580 88 17-01	HOUR METER	UL	1	
13	516 05 98-01	LATCH	15	2	1, 13
14	502 54 41-01	VENT	15	1	1, 13
15	574 44 10-01	ELECTRIC BOX	16	1	1
16	574 44 08-01	ELECTRIC BOX		1	
16	574 44 08-02	ELECTRIC BOX	UL	1	
17	543 04 47-66	NUT		4	
18	515 98 41-01	WASHER		4	
19	521 88 67-01	WASHER		4	

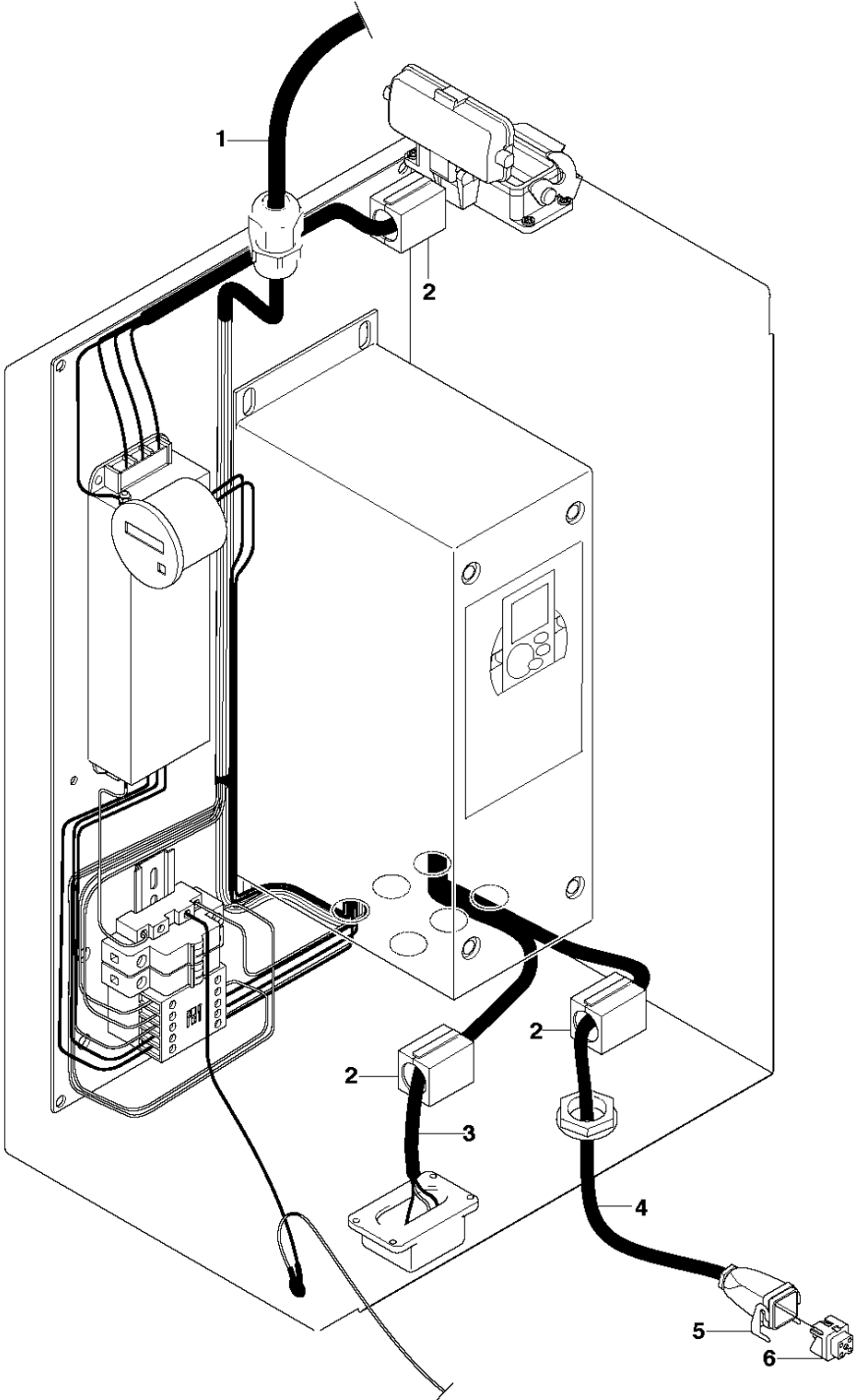
C2

Single Phase



Ref	Part No	Description	Remark	QTY KIT
1	504 75 39-01	PANEL		1
1	581 11 08-01	WIRING	UL	1
2	522 66 00-01	CABLE		1
2	522 66 00-02	CABLE		1
3	522 66 01-01	CABLE		1
3	522 66 01-02	CABLE		1
4	522 66 14-01	PLUG		1
5	522 66 16-01	CONNECTOR		1

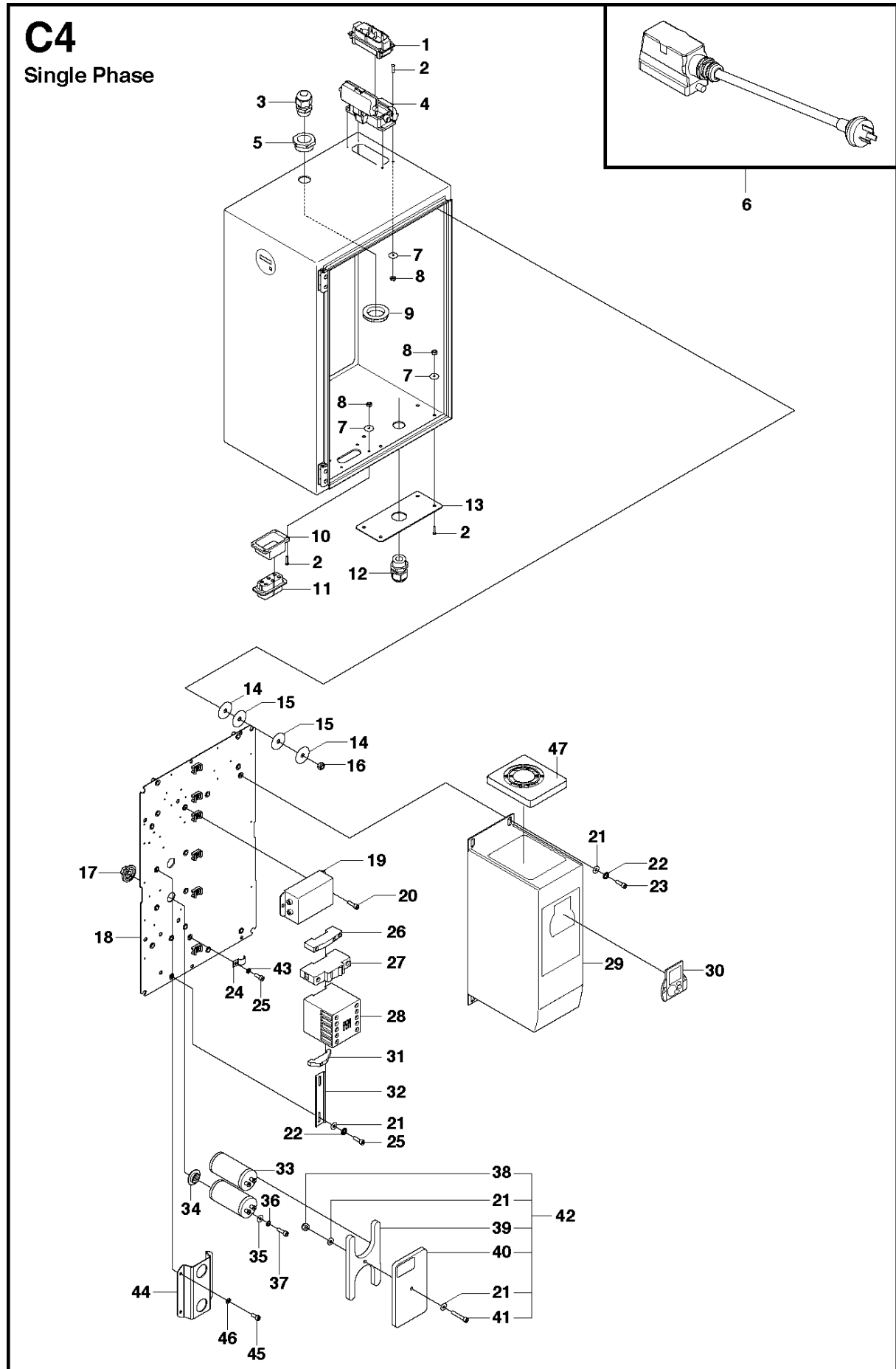
C3
3 phase



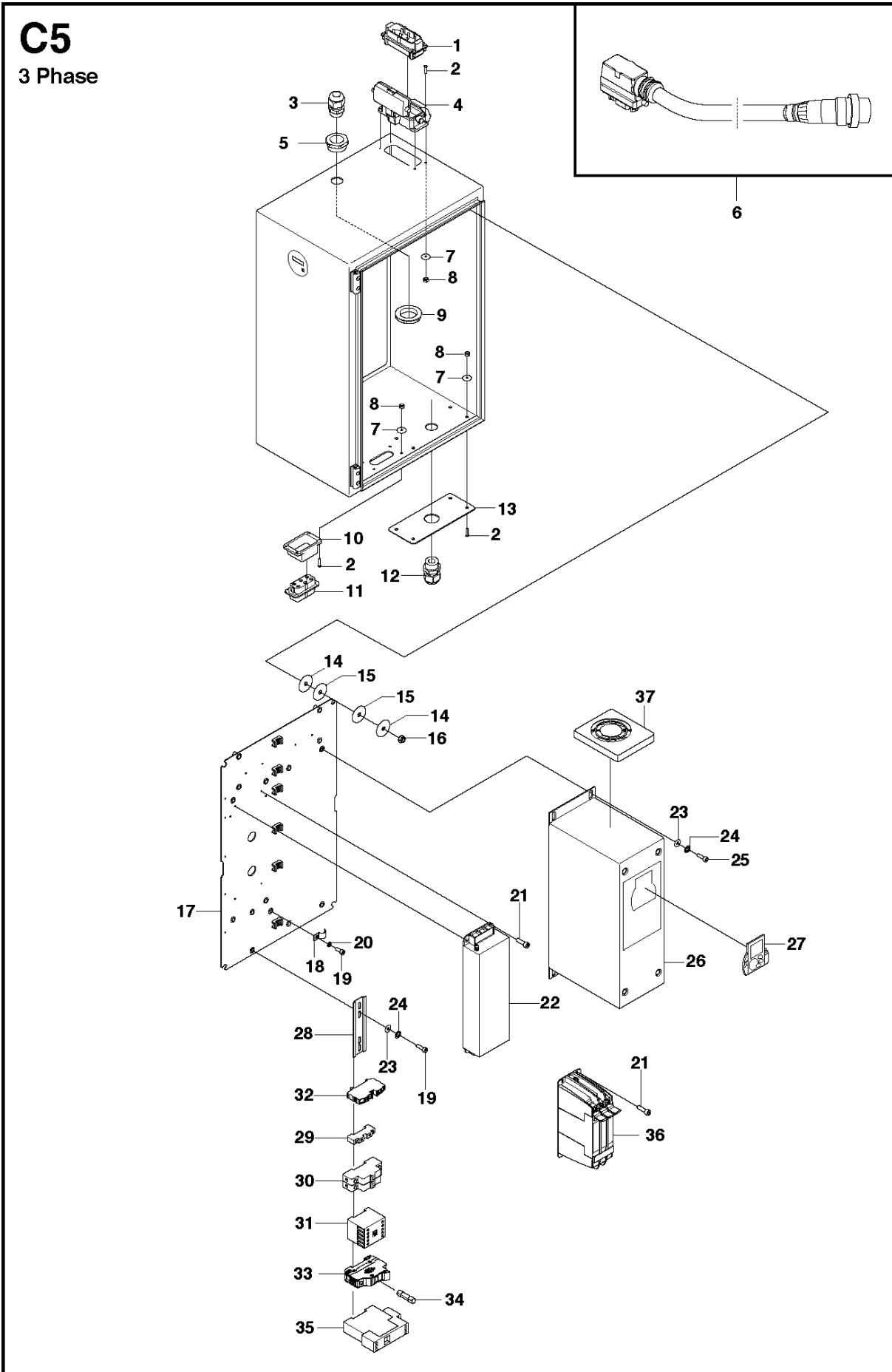
Ref	Part No	Description	Remark	QTY KIT
1a	504 75 39-01	PANEL		1
1b	581 11 08-01	WIRING	UL	1
2	504 71 72-01	FERRITE		3
3a	522 66 02-01	CABLE		1
3b	522 66 02-02	CABLE		1
4a	522 66 01-01	CABLE		1
4b	522 66 01-02	CABLE		1
5	522 66 14-01	PLUG		1
6	522 66 16-01	CONNECTOR		1

C4

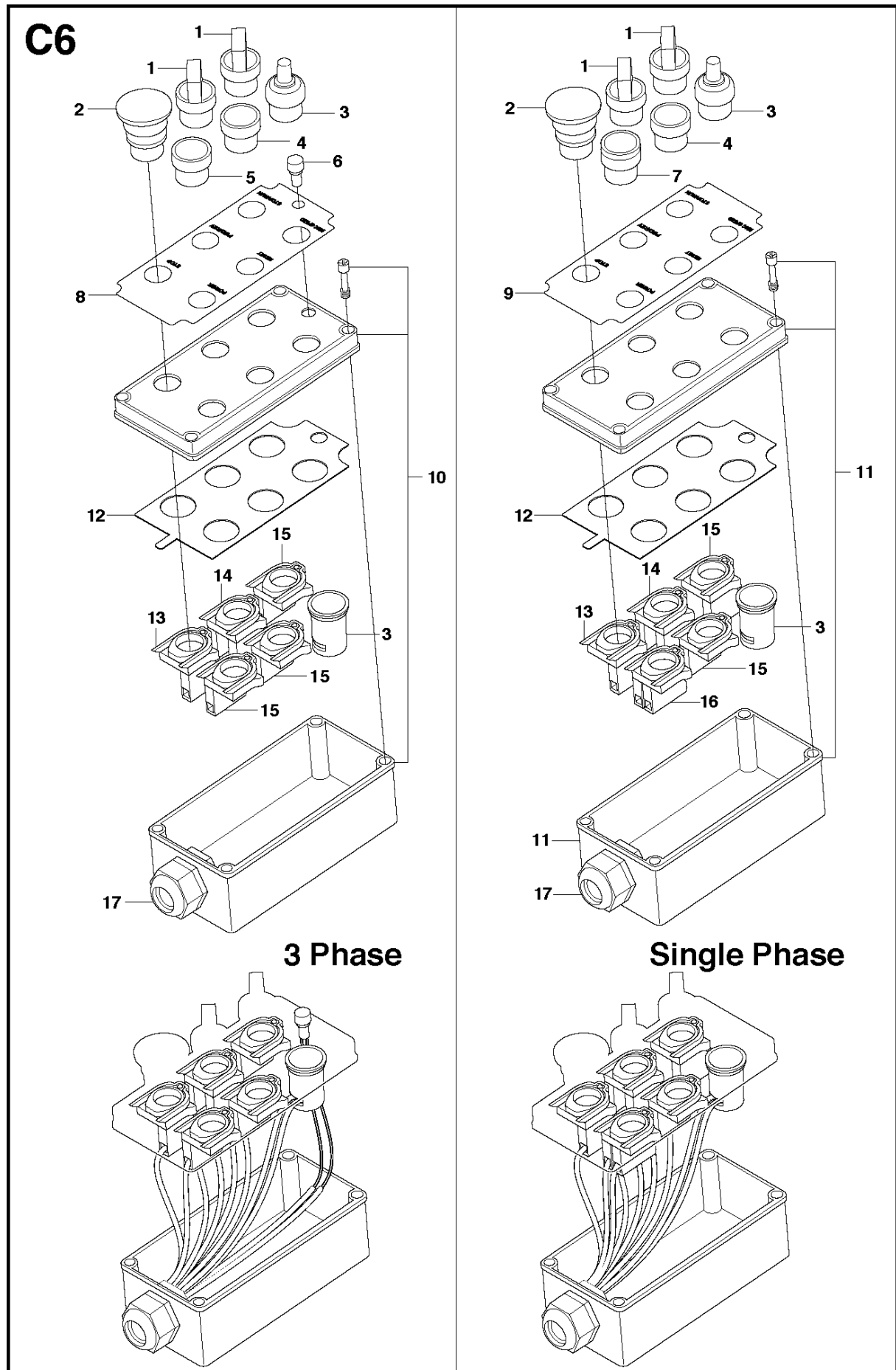
Single Phase



Ref	Part No	Description	Remark	QTY	KIT
1	516 06 15-01	CONNECTOR		1	
2	724 12 93-51	SCREW CRPANM		12	
3	516 06 18-01	GROMMET		1	
4	516 06 06-02	HOUSING		1	
5	504 76 24-01	ADAPTER		1	
6	525 58 45-01	CABLE KIT		1	
6	525 58 45-02	CABLE KIT		1	
6	525 58 45-03	CABLE KIT		1	
6	525 58 45-04	CABLE KIT		1	
7	734 11 36-01	WASHER		12	
8	732 25 12-01	HEXAGON LOCKING NUT		12	
9	575 51 01-01	NUT		1	
10	516 06 04-01	HOUSING		1	
11	516 06 05-01	CONNECTOR		1	
12	516 06 12-01	GROMMET		1	
13	525 31 14-01	COVER PLATE		1	
14	521 88 67-01	WASHER		8	
15	516 06 01-01	WASHER		8	
16	732 25 18-01	HEXAGON LOCKING NUT		4	
17	586 85 31-01	NUT		2	
18	574 44 12-01	PLATE		1	
19	504 71 70-01	FILTER	Not UL	1	
20	521 88 64-02	SCREW	Not UL	2	
21	734 11 54-41	WASHER		8	42
22	735 11 53-01	WASHER		6	
23	725 53 70-51	SCREW IHSCM		4	
24	504 75 84-01	CABLE CLAMP		1	
25	725 53 68-01	SCREW IHSCM		3	
26	502 54 38-01	TERMINAL BLOCK		1	
27	504 75 37-01	CIRCUIT BREAKER		1	
27	578 35 06-01	CIRCUIT BREAKER	UL	1	
28	504 75 36-01	CONTACTOR		1	
29	502 56 43-02	FREQUENCY INVERTER		1	
30	516 06 10-01	PAN		1	
30	505 46 40-01	KEYBOARD		1	
31	504 73 99-01	CLAMP		1	
32	516 06 11-01	RAIL		1	
33	585 84 32-01	CAPACITOR		2	
33	585 85 15-01	CAPACITOR	For machines before SN 2014 2200007	1	
34	586 85 32-01	WASHER		2	
35	734 11 46-01	WASHER		4	
36	735 11 46-01	SPRING WASHER		4	
37	725 23 27-71	SCREW EHHM		4	
38	732 25 16-01	HEXAGON LOCKING NUT		1	42
39	522 66 06-01	COVER		1	42
40	522 66 07-01	COVER		1	42
41	725 53 74-01	SCREW IHSCM		1	42
42	522 66 08-01	COVER		1	
43	735 21 53-01	LOCKWASHER		1	
44	586 58 92-01	BRACKET		1	
45	725 53 68-01	SCREW IHSCM		1	
46	735 11 53-01	WASHER		1	
47	589 41 16-01	FAN		1	



Ref	Part No	Description	Remark	QTY KIT
1	504 76 25-01	CONNECTOR		1
2	724 12 93-51	SCREW CRPANM		12
3	516 06 18-01	GROMMET		1
4	516 06 06-02	HOUSING		1
5	504 76 24-01	ADAPTER		1
6	574 44 13-02	PLUG		1
6	531 11 71-36	PLUG		1
6	580 95 23-01	CABLE ASSY	UL	1
7	734 11 36-01	WASHER		12
8	732 25 12-01	HEXAGON LOCKING NUT		12
9	575 51 01-01	NUT		1
10	516 06 04-01	HOUSING		1
11	516 06 05-01	CONNECTOR		1
12	516 06 12-01	GROMMET		1
13	525 31 14-01	COVER PLATE		1
14	521 88 67-01	WASHER		8
15	516 06 01-01	WASHER		8
16	732 25 18-01	HEXAGON LOCKING NUT		4
17	574 44 12-01	PLATE		1
18	504 75 84-01	CABLE CLAMP		1
19	725 53 68-01	SCREW IHSCM		3
20	735 21 53-01	LOCKWASHER		1
21	521 88 64-02	SCREW	Not UL	4
22	522 66 10-01	FILTER	Not UL	1
23	734 11 54-41	WASHER		6
24	735 11 53-01	WASHER		6
25	725 53 70-51	SCREW IHSCM		4
26	502 56 41-02	FREQUENCY INVERTER		1
27	516 06 10-01	PAN		1
27	505 46 40-01	KEYBOARD		1
28	516 06 11-01	RAIL		1
29	502 54 38-01	TERMINAL BLOCK		1
30	502 54 37-01	CIRCUIT BREAKER		1
30	578 35 05-01	CIRCUIT BREAKER	UL	1
31	502 56 53-01	CONTACTOR		1
37	589 41 16-01	FAN		1

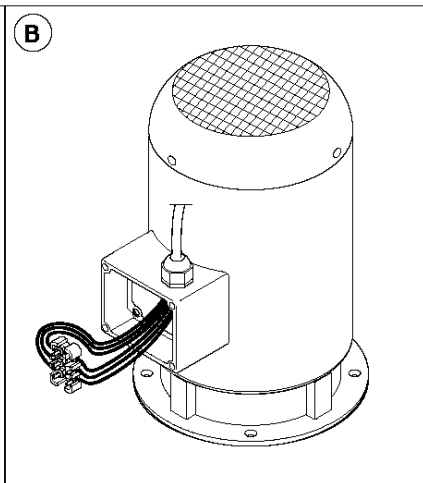
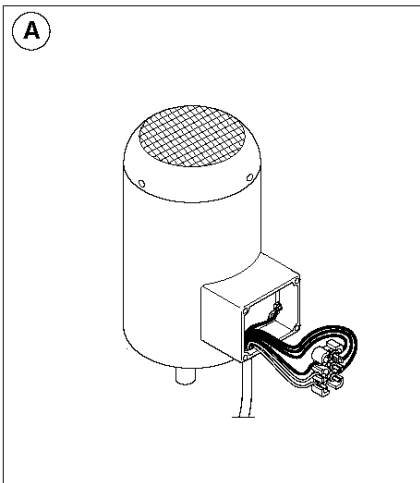
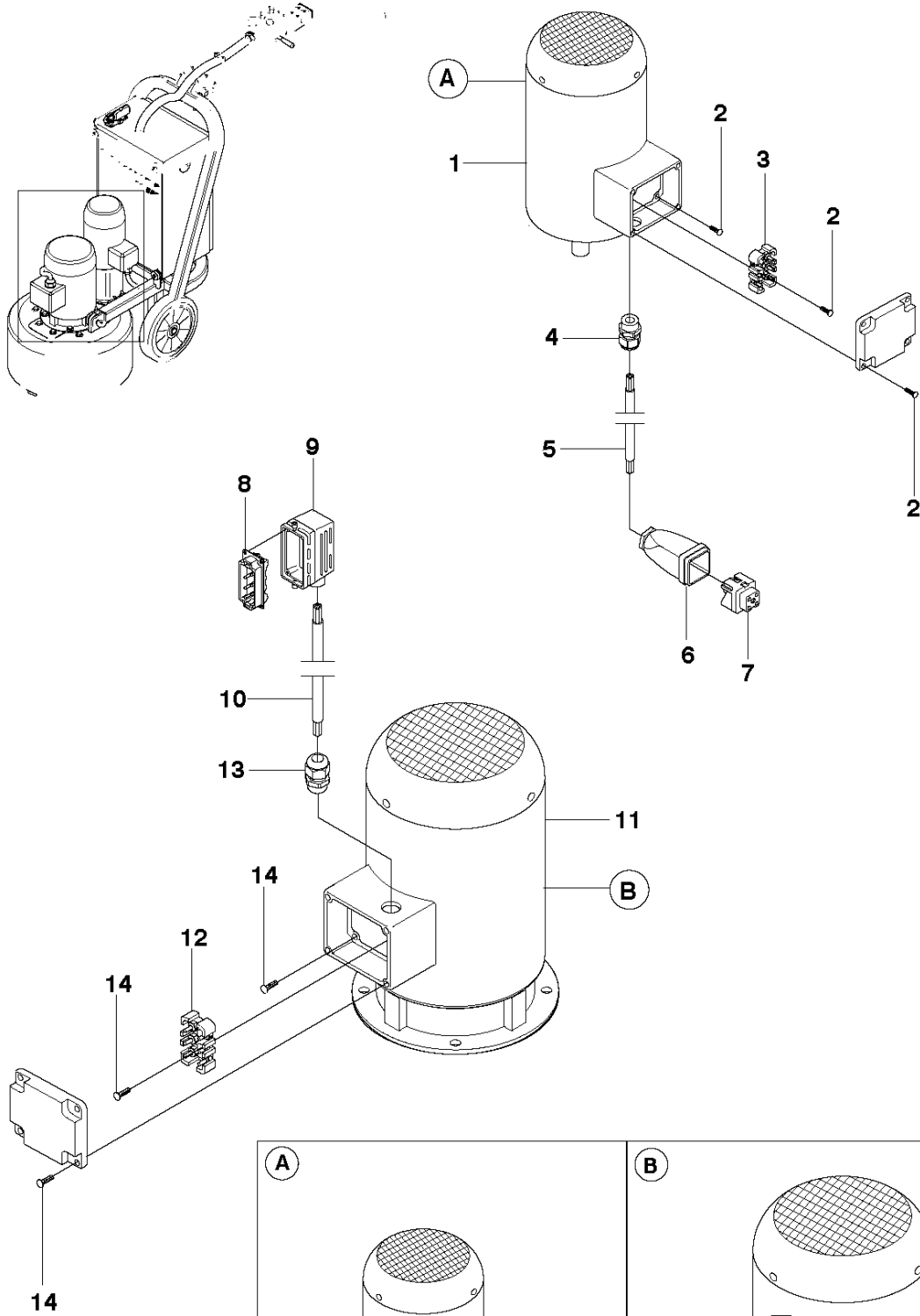


Control panel

PG 530, Machine 0904-01 and forward, 2010-02

Ref	Part No	Description	Remark	QTY KIT
1	504 73 86-01	SWITCH		2
2	504 73 94-01	BUTTON		1
3	502 54 29-01	CONTROL		1
4	504 73 88-01	PUSH BUTTON		1
5	504 73 90-01	PUSH BUTTON		1
6	504 73 96-01	LAMP		1
6	580 88 16-01	LAMP	UL	1
7	504 75 50-01	PUSH BUTTON		1
8	522 67 69-01	DECAL		1
9	504 75 56-01	DECAL		1
10	522 66 11-01	ELECTRIC BOX		1
11	504 75 43-01	ELECTRIC BOX		1
12	525 73 65-01	PLATE		1
13	504 73 95-01	BUTTON		1
14	504 73 87-01	BUTTON		1
15	504 73 89-01	BUTTON		3
16	504 75 51-01	BUTTON		1
17	516 06 18-01	GROMMET		1

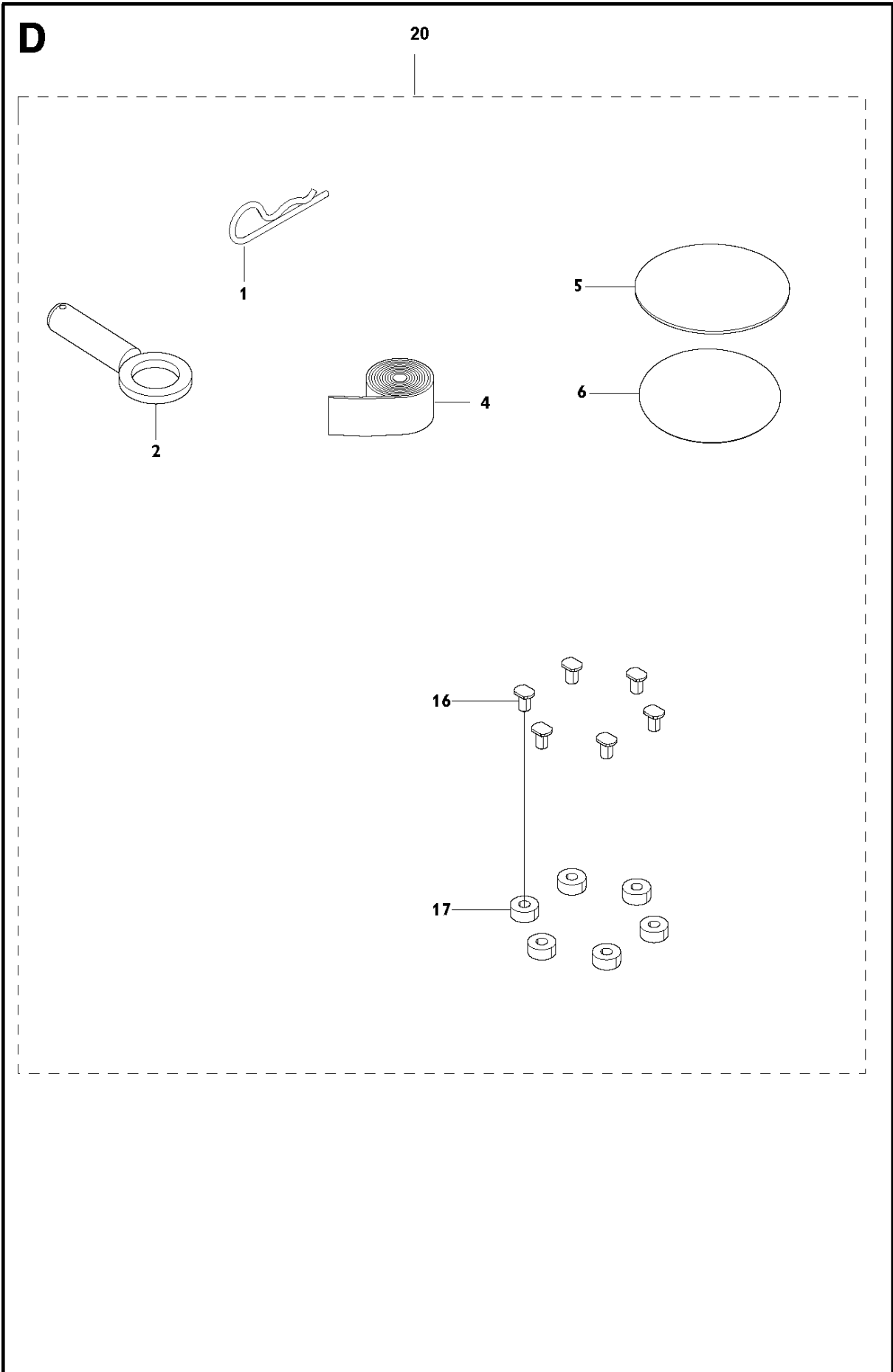
C7



MOTOR

PG 530, Machine 0904-01 and forward, 2010-02

Ref	Part No	Description	Remark	QTY KIT
1	502 55 97-01	ELECTRIC MOTOR		1
2	723 13 27-51	SCREW SLCHM		10
3	516 06 19-01	TERMINAL BLOCK		1
4	516 06 12-01	GROMMET		1
5a	504 75 58-01	CABLE ASSY		1
5b	504 75 58-02	CABLE ASSY		1
6	522 66 13-01	PLUG		1
7	522 66 15-01	CONNECTOR		1
8	516 06 14-01	CONNECTOR		1
9	516 06 13-01	HOOD		1
10a	522 66 17-01	CABLE		1
10b	522 66 17-02	CABLE	UL	1
11a	502 55 94-01	MOTOR		1
11b	505 52 32-01	MOTOR		1
12a	516 06 19-01	TERMINAL BLOCK		1
12b	516 06 20-01	TERMINAL BLOCK		1
13a	516 06 12-01	GROMMET		1
13b	516 06 18-01	GROMMET		1
14a	723 13 27-51	SCREW SLCHM		10
14b	724 13 68-51	SCREW CRPANM		10



ON SITE PARTS

PG 530, Machine 0904-01 and forward, 2010-02

Ref	Part No	Description	Remark	QTY KIT
1	721 68 02-51	SPRING COTTER		2
2	504 72 97-01	PEN		2
4	590 49 92-01	RUBBER SKIRT		1
5	502 54 55-01	HOLDER		1
6	502 54 56-01	HOLDER		1
16	522 65 98-03	PEN		6
17	502 53 39-01	WASHER		6