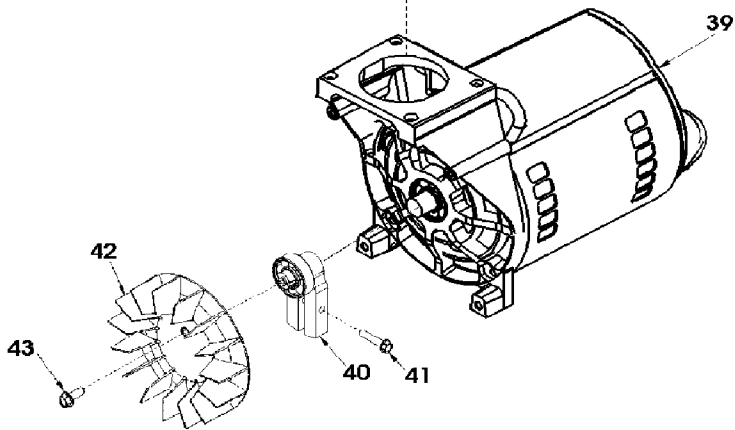
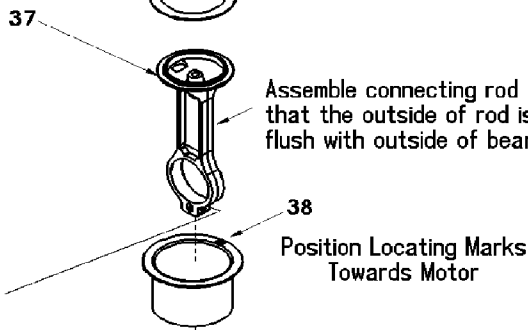
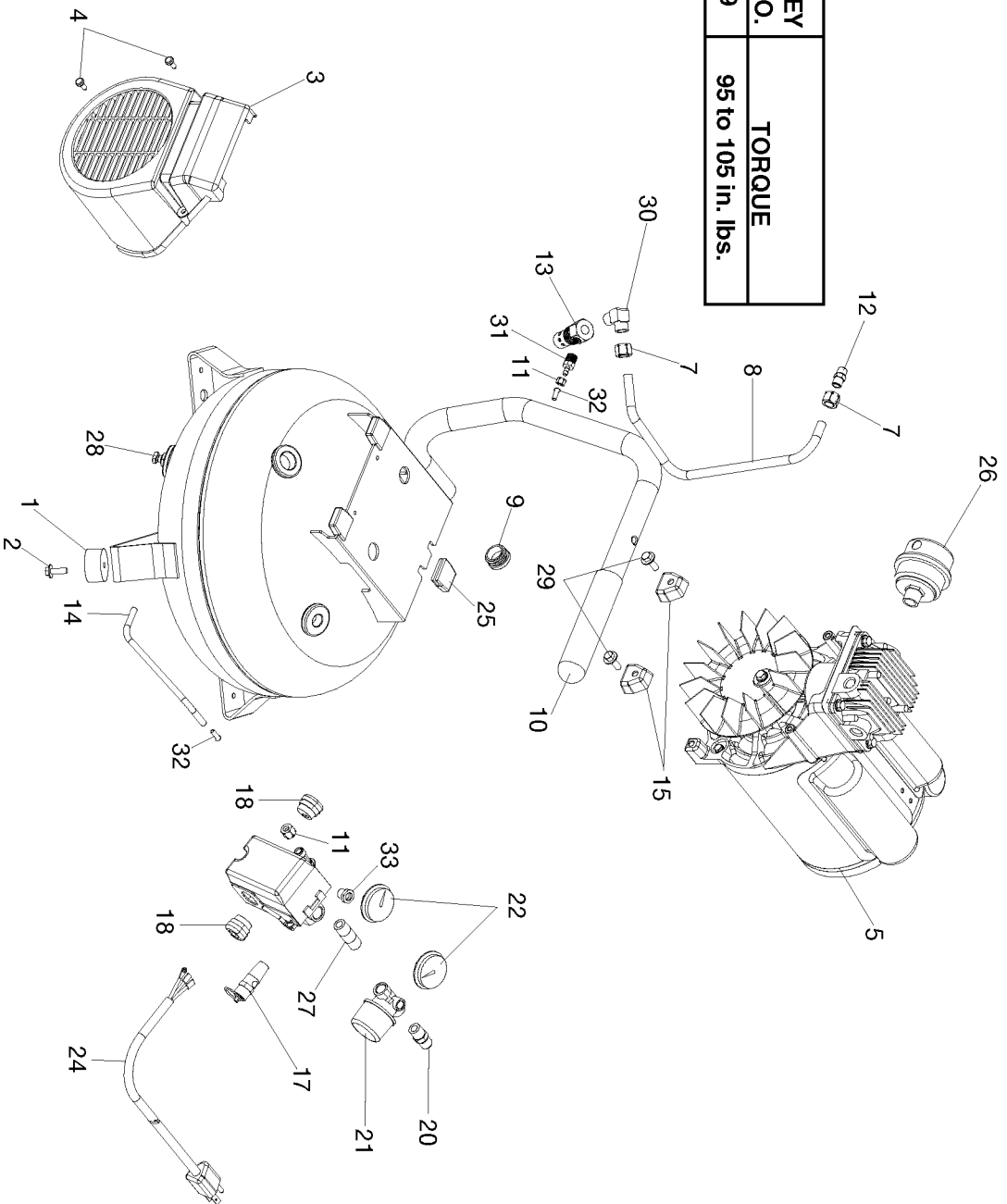


Assemble connecting rod so that the outside of rod is flush with outside of bearing.



KEY NO.	TORQUE
33	7 to 10 Ft. Lbs.
41	100 to 120 In. Lbs.
43	80 to 100 In. Lbs.
◆	42 to 48 In. Lbs.

KEY NO.	TORQUE
29	95 to 105 in. lbs.



## Parts List for PF22X4 Type 0

Item Number	Part Number	Description	Qty Required
1	SST-5314-1	BUMPER RECESS RUBBER	1
2	91895680	SCREW .250-20X.750 H	1
3	AC-0376	SHROUD MINI	1
4	ACG-408	ASSY FASTENER	1
5	000000-00	No Longer Available	1
7	SSP-7813	ASSY NUT SLEEVE 3/8	1
8	AC-0620	TUBE OUTLET PANCAKE	1
9	AC-0270	PLUG PRY OUT	1
10	AC-0261	GRIP HANDLE 1.00 TUB	1
11	SSP-7811	ASSY NUT SLEEVE 1/4	1
12	SSP-6050	CONNECTOR MALE 1/4NP	1
13	D24880	VALVE CHECK 1/2NPT X	1
14	CAC-1085-1	TUBE PRESSURE RELIEF	1
15	ACG-18	CUP SADDLE MOUNT	1
16	SSP-480	NIPPLE 1/4-18 NPT X	1
17	TIA-4150	VALVE SAFETY 150 .25	1
18	33821-00	BUSHING	1
18	438010040063	HEYCO BUSHINGS	1
20	D26889	ADAPTER .25 NPT X .2	1
21	CAC-4296-1	REGULATOR 3PORT P2 L	1
22	Z-D23004	GAUGE 1.5OD 200PSI .	1
23	000000-00	No Longer Available	1
24	SUDL-403-1	ASSY CORD POWER SJT	1
25	ACG-19	ISOLATOR 3 POINT MOU	1
26	AC-0253	FILTER INLET SOLBERG	1
27	N044990	NIPPLE CLOSE 1/4-18	1
28	N286039	DRAIN VALVE	1

## Parts List for PF22X4 Type 0

Item Number	Part Number	Description	Qty Required
29	91895680	SCREW .250-20X.750 H	1
30	SSP-6429	ELBOW 1/4 NPT X 3/8	1
31	SS-8553	CONNECTOR BODY	1
32	5130039-00	SLEEVE	2
33	SSP-6021	BUSHING REDUCER 1/8-	1
34	ACG-45	ORING P/L HEAD	1
35	Z-AC-0032	ASSY VALVE PLATE	1
36	SSG-8156	ORING 2.759/2.719ID	1
37	KK-4835	KIT CONNECTING ROD L	1
38	KK-4835	KIT CONNECTING ROD L	1
39	000000-00	No Longer Available	1
40	Z-AC-0140	ASSY ECCENTRIC BEARI	1
41	SSF-615	SCREW .250-20X1.25 U	1
42	AC-0108	FAN 5.75 DIA	1
43	SSF-586	SCREW .250-20X.750 U	1
44	SSF-3158-1	SCREW #10-24X.750 TH	1
45	KK-4835	KIT CONNECTING ROD L	1
46	KK-4835	KIT CONNECTING ROD L	1
132	AC-0236	HEAD MACH 3/8 NPT 1/	1
133	SSF-927	SCREW .250-20X1.125	1
856	K-0650	KIT COMP RING REPLAC	1
856	KK-4835	KIT CONNECTING ROD L	1
856	AC-0281	FILTER REPLACEMENT	1