

Tanaka Illustrated Parts Manual

Model Number:

PF-2600

UTILITY / SCOOTER ENGINE

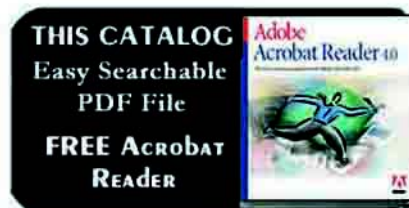
P/N 30523

Rev 000

Date 3-21-05



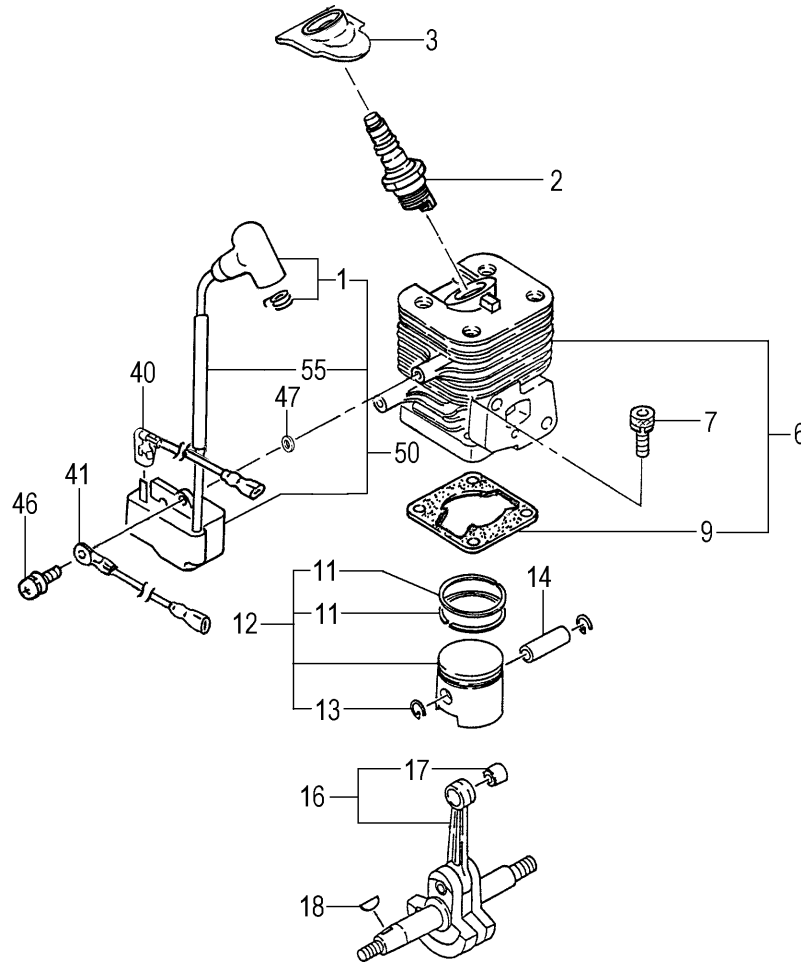
C.A.R.B. Tier II Certified!



Supplier To The Outdoor Power Equipment Industry

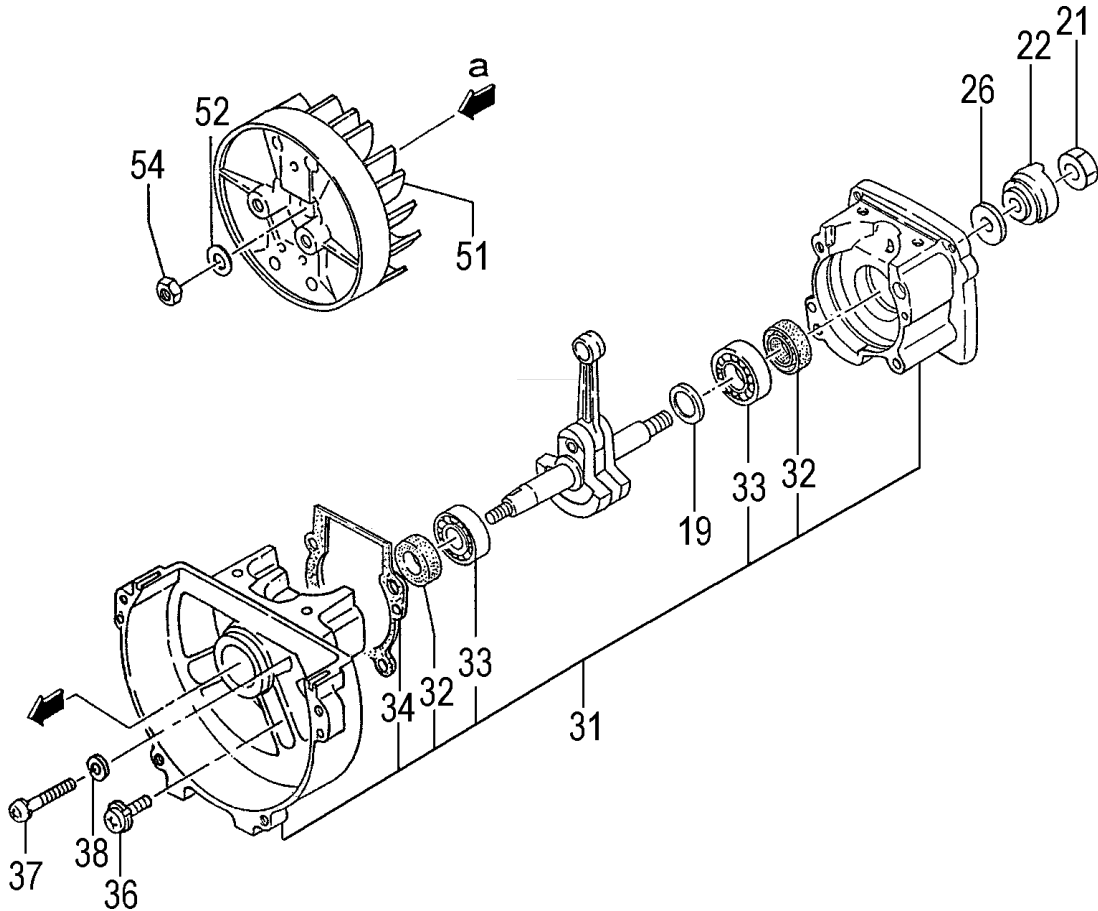
ISM, Inc. • 1028 4th Street SW • Auburn, WA 98001 • Phone: (253) 333-1200 • Fax: (253) 333-1212

CYLINDER, PISTON, CRANKSHAFT • FIGURE 1

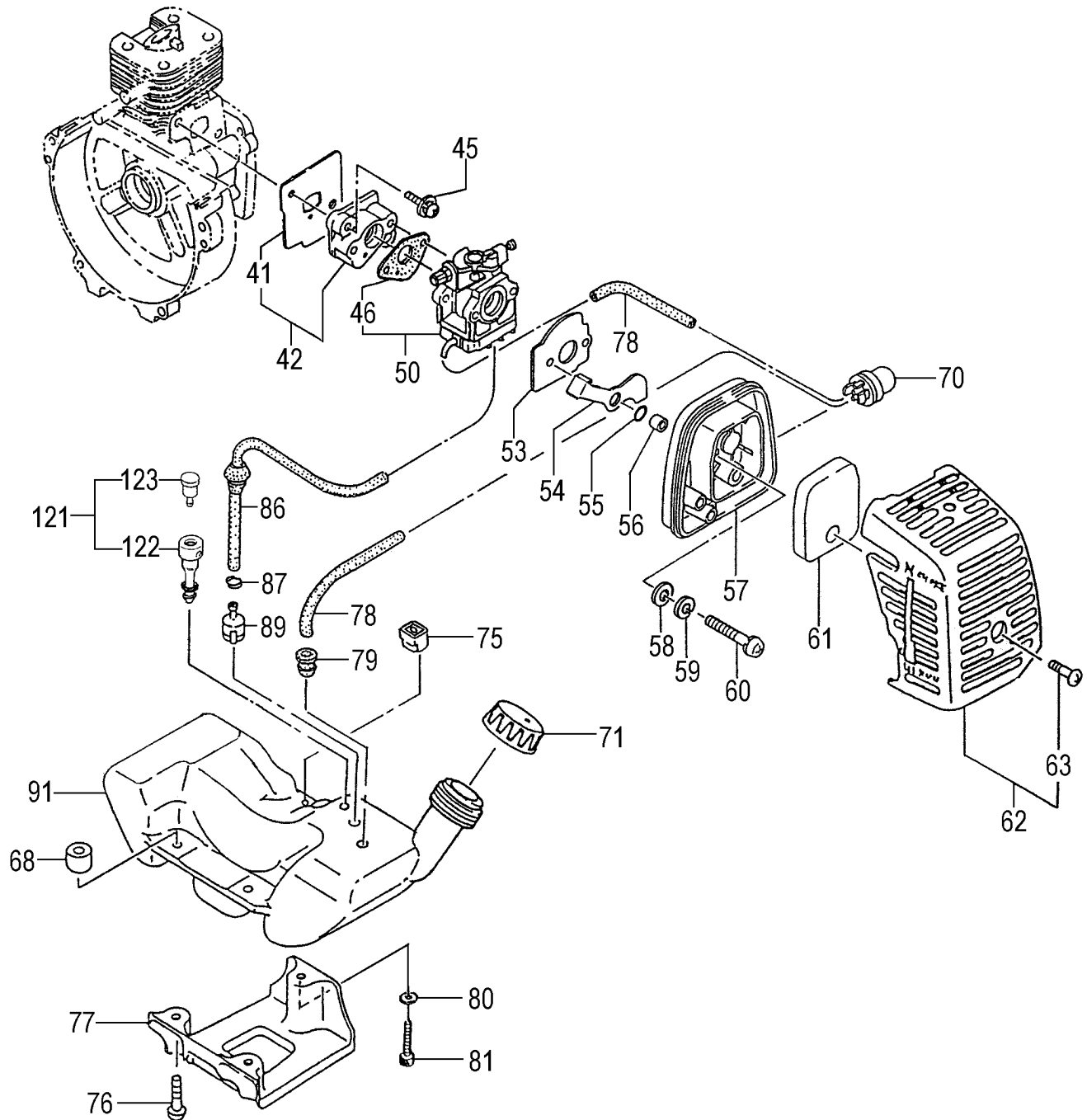


ITEM	PART NUMBER	DESCRIPTION	QTY	COMMENTS
1	1570168090	CAP, SPARK PLUG ASS'Y	1	
2	0181161021	PLUG, SPARK	1	
3	2550168020	COVER, SPARK PLUG, RUBBER	1	
6	0010168090	SET, CYLINDER	1	Includes gasket
7	99461050184	BOLT, HEX, 5X18, S	4	
9	0170168020	GASKET, CYLINDER	1	
11	04101601200	RING, PISTON	2	
12	0300168090	SET, PISTON	1	Includes rings and circlips
13	03900000201	CIRCLIP, PISTON PIN	2	
14	03701700200	PIN, PISTON	1	
16	0460168080	CRANKSHAFT	1	
17	99962091325	BEARING, NEEDLE, F-910	1	
18	06810100200	KEY, WOODRUFF, 3X13X4.5	1	
40	1780168080	CORD, STOP	1	
41	2740168080	CORD, EARTH	1	
46	99416040186	SCREW, WS, 4X18	2	
47	1820186A201	WASHER, SPECIAL	2	
50	1672174390	COIL, IGNITION ASS'Y	1	
55	2500168020	TUBE, INSULATOR	1	

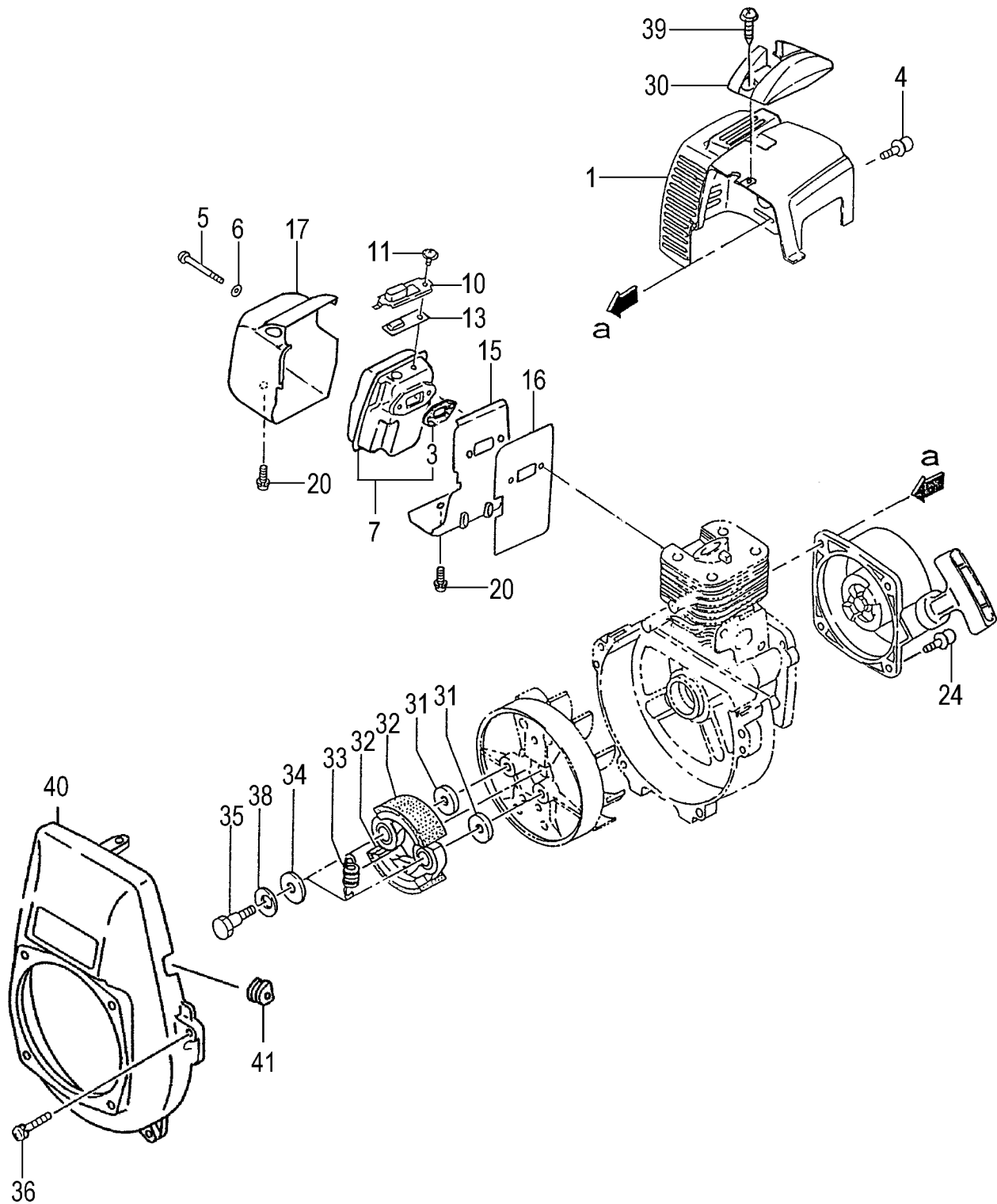
CRANKCASE, FLYWHEEL, STARTER PULLEY • FIGURE 2



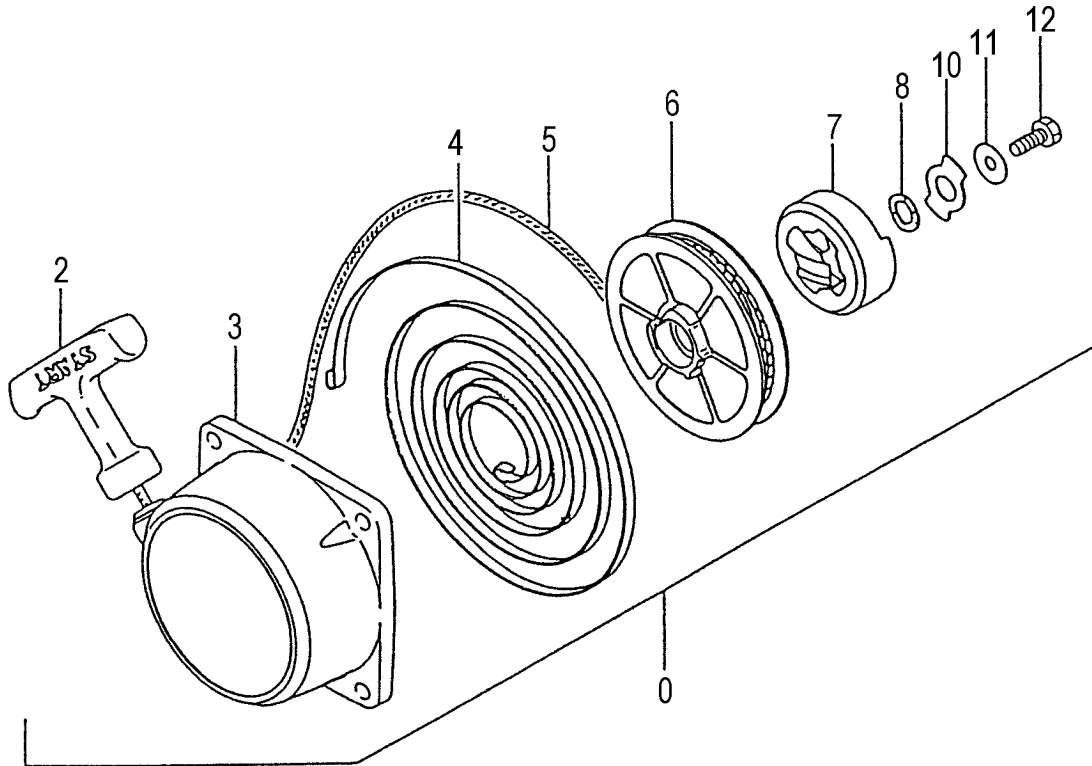
ITEM	PART NUMBER	DESCRIPTION	QTY	COMMENTS
19	33000200210	SHIM, 12.2X19X 10	1	
19	33000200220	SHIM, 12.2X19X 15	1	
19	33000200230	SHIM, 12.2X19X 20	1	
19	33000200240	SHIM, 12.2X19X 30	1	
21	99101080011	NUT, 8	1	
22	79801630200	PULLEY, STARTER	1	
26	35910112203	WASHER, CLUTCH B	1	
31	0720168090	CRANKCASE, ASSY	1	
32	99966122240	SEAL, OIL, #12227	2	
33	99961600100	BEARING, BALL, #6001	2	
34	0900168020	GASKET, CRANKCASE	1	
36	99414050251	SCREW, 5X25	2	
37	99011050381	SCREW, 5X38	2	
38	99210050012	WASHER, S, 5	2	
51	1552174380	ROTOR, MAGNETO	1	
52	99200080011	WASHER, 8	1	
54	99101080011	NUT, 8	1	



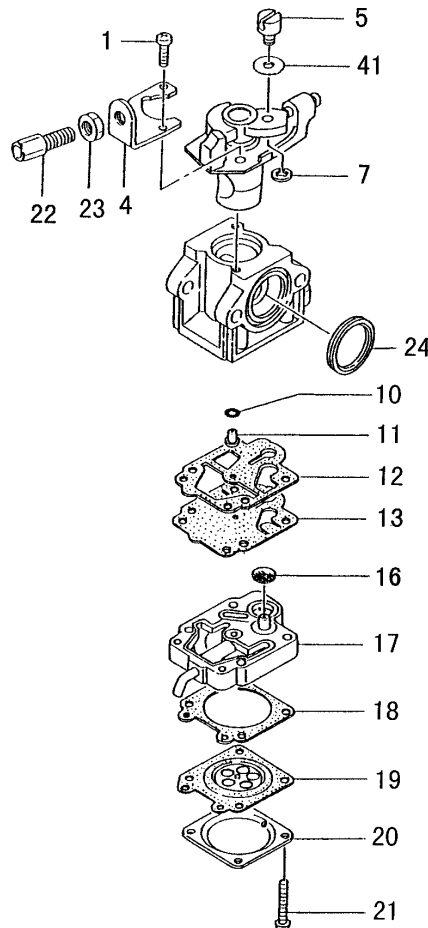
ITEM	PART NUMBER	DESCRIPTION	QTY	COMMENTS
41	4030097A21	GASKET, INLET MANIFOLD	1	
42	4040097A90	SET, CARB INSULATOR	1	
45	99416050241	SCREW 5x24WS	2	
46	4020602K21	GASKET, CARBURETOR	1	
50	4550168091	SET, CARBURETOR	1	
53	4360162V20	BASE, CLEANER	1	
54	5280168020	VALVE, CHOKE	1	
55	99967008012	O-RING, S-8	1	
56	4700602N200	COLLAR, CLEANER	1	
57	4230637C800	BODY, CLEANER	1	
58	99200050011	WASHER, SMALL, 5	2	
59	99210050012	WASHER, S, 5	2	
60	99011050602	SCREW, 5X60	2	
61	4460637C200	ELEMENT, CLEANER	1	
62	4520168090	SET, CLEANER COVER	1	
63	3800637C200	BOLT, CLEANER COVER	1	
68	6590430020	COLLAR, C	3	
70	44225143800	PUMP, PRIMING ASS'Y	1	
71	5950168090	CAP, TANK ASS'Y	1	
75	6490168020	COLLAR, TANK FIXING	1	
76	99463050204	BOLT, HEX 5X20	2	
77	9400430020	STAND, ENGINE	1	
78	7000250408	PIPE, FUEL, 2.5x4x80	2	
79	53432710200	GROMMET, FUEL PIPE	1	
80	99201050061	WASHER, 5	1	
81	99461050304	BOLT, HEX, 5X30S	1	
86	2230162V900	PIPE, FUEL, ASS'Y	1	
87	68000731201	CLIP 6.3	1	
89	6750404280	FILTER, FUEL	1	
91	5910168520	TANK, FUEL (ORANGE)	1	
91	5910168620	TANK, FUEL (WHITE)	1	
121	5640661190	VENT, AIR ASS'Y	1	
122	5650441020	PIPE, AIR VENT	1	
123	6460661290	VALVE	1	



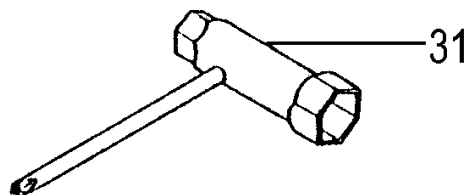
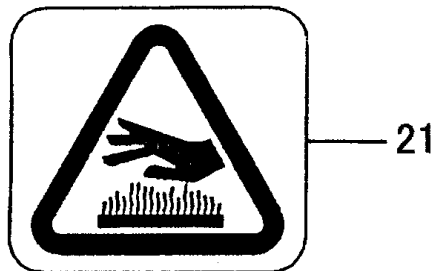
ITEM	PART NUMBER	DESCRIPTION	QTY	COMMENTS
1	7380168120	PROTECTOR,MUFFLER	1	
3	7370168020	GASKET,MUFFLER	1	
4	99415040182	SCREW,PS,4X18	2	
5	99053060653	SCREW,HEX,6X65	2	
6	99201060011	WASHER,6	2	
7	7040168090	SET,MUFFLER	1	
10	7210440020	PIPE, TAIL	1	
11	99435040081	SCREW,4X8PS	1	
13	7320440020	ARRESTER,SPARK	1	
15	7360168022	SHIELD,HEAT	1	
16	1330168020	SHIELD,HEAT	1	
17	7350168080	COVER,MUFFLER A	1	
20	99415050101	SCREW,5X10/PS	2	
24	99415040142	SCREW,4X14/PS	2	
30	2570168120	COVER,SPARK PLUG	1	
31	35902103200	WASHER,CLUTCH,B	2	
32	29001620800	SHOE,CLUTCH	2	
33	3420630B200	SPRING,CLUTCH	1	
34	3480602R200	WASHER,CLUTCH A	2	
35	3570075T200	BOLT,STEP	2	
36	99416050162	SCREW,5X16/WS	4	
38	99205080030	WASHER,8	2	
39	99072045164	SCREW,TAPPING,4.5x16	1	
40	1120168521	FAN CASE (ORANGE)	1	
40	11201699201	FAN CASE (POLISHED)	1	
41	20311660200	GROMMET,PRIMARY CORD	1	



ITEM	PART NUMBER	DESCRIPTION	QTY	COMMENTS
0	7620094090	STARTER,RECOIL ASS'Y	1	
2	78500940200	HANDLE,STARTER	1	
3	77200940801	BODY,STARTER	1	
4	78000940200	SPRING,RECOIL	1	
5	78300940200	ROPE,STARTER	1	
6	7740163021	PULLEY,STARTER	1	
7	7880163021	PAWL,STARTER	1	
8	80105015200	WASHER,STARTER PULLEY	1	
10	8370501521	PLATE, FRICTION	1	
11	8220423020	SHIM,STARTER PULLEY	1	
12	8390423020	BOLT,SET	1	



ITEM	PART NUMBER	DESCRIPTION	QTY	COMMENTS
0	4550168091	SET,CARBURETOR	1	Includes carburetor gasket
1	51425100200	SCREW,THROTTLE SET	2	
4	54425164200	STAY,ADJUST,CABLE	1	
5	53925120200	SWIVEL	1	
7	48925100200	RING,STOP	1	
10	55025100200	O-RING	1	
11	5992001W38	JET,MAIN LONG #38	1	
12	~ ~ ~	GASKET,PUMP	1	~ Contained in Carb Repair Kit P/N 650-25124-900 (Not available individually)
13	~ ~ ~	DIAPHRAGM,PUMP	1	
16	57825007200	SCREEN,INLET	1	
17	5752514780	BODY,PUMP ASS'Y	1	
18	~ ~ ~	GASKET,DIAPHRAGM	1	
19	~ ~ ~	DIAPHRAGM,METERING	1	
20	47625004200	COVER,DIAPHRAGM	1	
21	54825101200	SCREW,SET	4	
22	61425137200	ADJUSTER,CABLE	1	
23	99101060013	NUT,6	1	
24	4310634C200	GASKET,CLEANER	1	
41	5492516520	WASHER,THRUST	1	



ITEM	PART NUMBER	DESCRIPTION	QTY	COMMENTS
1	9060168020	PLATE, NAME, PUREFIRE	1	
21	9210168120	DECAL, CAUTION	1	
31	8262000080	SPANNER, COMBI, 17X19	1	