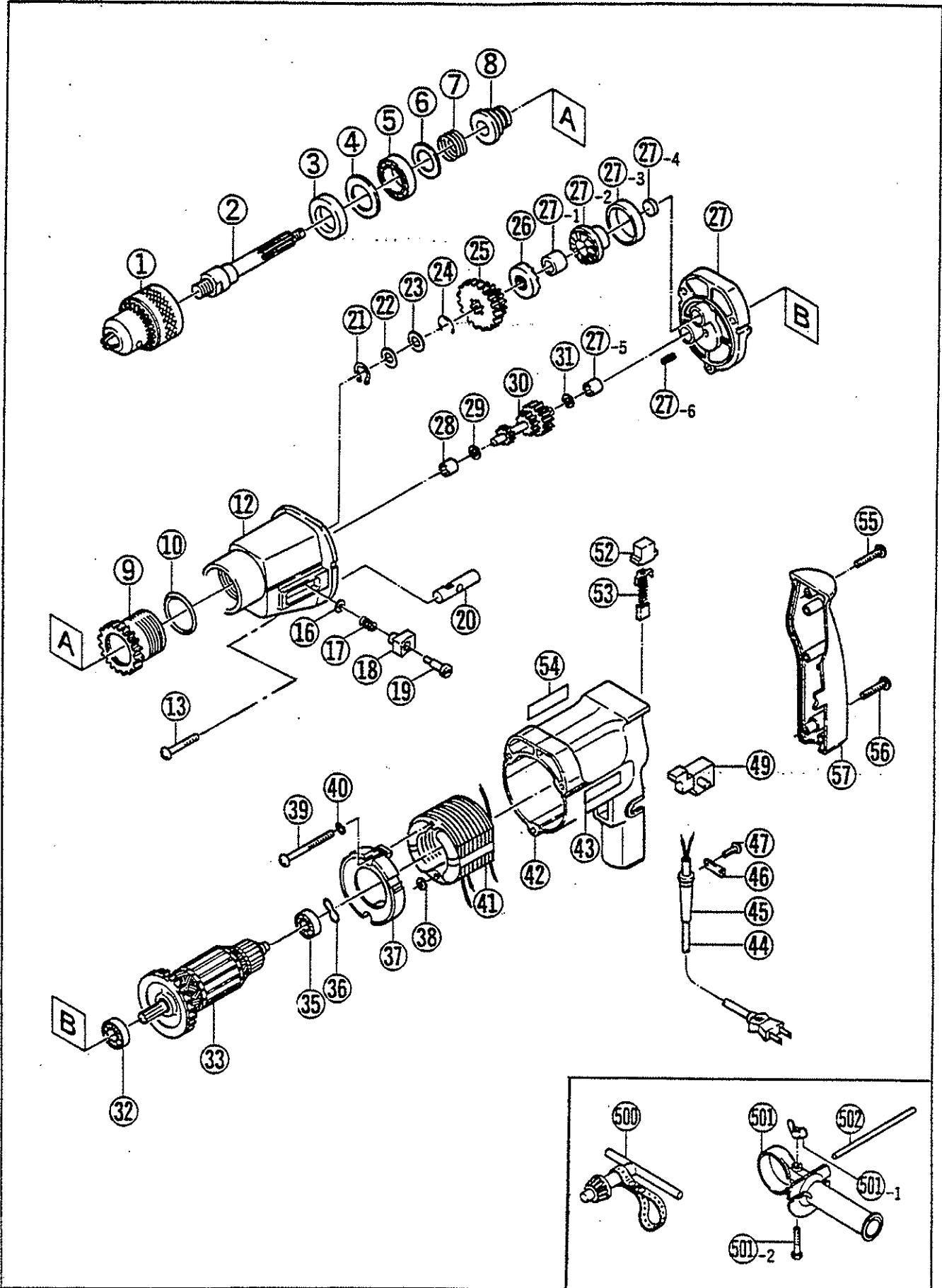


# IMPACT DRILL

PD-1921, PD-1921V



## PARTS LIST FOR AFTER SALES SERVICE MODEL PD1921, PD1921V

	PART NO.	DESCRIPTION	QTY	REF	PART NO.	DESCRIPTION	QTY
1	6940318	1/2" DRILL CHUCK	1	31	6900103	WASHER	1
2	6100234	SPINDLE	1	32	989377002	BALL BEARING #6000LLB	1
3	6930065	OIL SEAL	1	33	6033068	ARMATURE	1
4	6900393	WASHER	1	35	9840627	BALL BEARING #627LLB	1
5	969235004	BALL BEARING #6002LLB	1	36	9642200	WAVE WASHER	1
6	6900396	THRUST WASHER	1	37	6490256	FAN CASING	1
7	6180203	COMPRESSION SPRING	1	38	9560400	WASHER	1
8	6220084	LOCK RING	1	39	9060455	TAPPING SCREW (B) M4X55	2
9	6300015	ADJUSTING RING	1	40	9550400	SPRING WASHER M4	2
10	6930063	O-RING	1	41	6501230	FIELD COIL	1
12	6820585	GEAR CASE	1	42	6801173	MOTOR HOUSING	1
13	9020430	PHILLIPS PAN SCREW M4X30	3	43	6912083	NAME PLATE PD1921	1
16	9560400	WASHER	1	—	6912089	NAME PLATE PD1921V	1
17	6180202	COMPRESSION SPRING	1	44	6520331	CORD ASS'Y AWG#18X2X2	1
18	6830943	CHANGE KNOB	1	45	6560131	CORD HOLDER	1
19	6130461	SET SCREW	1	46	6560055	CORD CLAMP	1
20	6100233	SHAFT	1	47	9060416	TAPPING SCREW (B) M4X16	2
21	9512000	RETAINING RING S-20	1	49	6550249	TRIGGER SWITCH PD1921	1
22	6900397	THRUST WASHER	1	—	6550024	VARIABLE SWITCH PD1921V	1
23	6900395	THRUST WASHER	1	52	6570055	BRUSH HOLDER	2
24	6100236	RETAINING RING E-9	1	53	6540253	CARBON BRUSH	1
25	6200264	FINAL GEAR	1	54	6920003	"RYOBI" MARK #8	1
26	6190132	MOVABLE CLUTCH	1	55	9060440	TAPPING SCREW (B) M4X40	1
27	6020096	INNER COVER	1	56	9060425	TAPPING SCREW (B) M4X25	2
27-1	6760089	OILLESS METAL	1	57	6830936	HANDLE COVER	11
27-2	6190131	FIXED CLUTCH	1	58	6530610	FELT	1
27-3	6151304	CLUTCH COVER	1				
27-4	6390096	FELT	1	<b>STANDARD ACCESSORIES</b>			
27-5	9910609	NEEDLE BEARING	1	500	6240563	CHUCK KEY	1
27-6	9402512	SPRING PIN	2	501	6072393	SIDE HANDLE SET	1
28	9910609	NEEDLE BEARING	1	501-1	9340600	WING NUT M6	1
29	6900103	WASHER	1	501-2	9190645	HEX HEAD BOLT M6X45	1
30	6200262	INTERMEDIATE GEAR	1	502	6100235	STOPPER	1

**SERVICE NOTES:**

