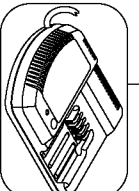
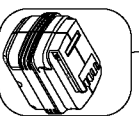




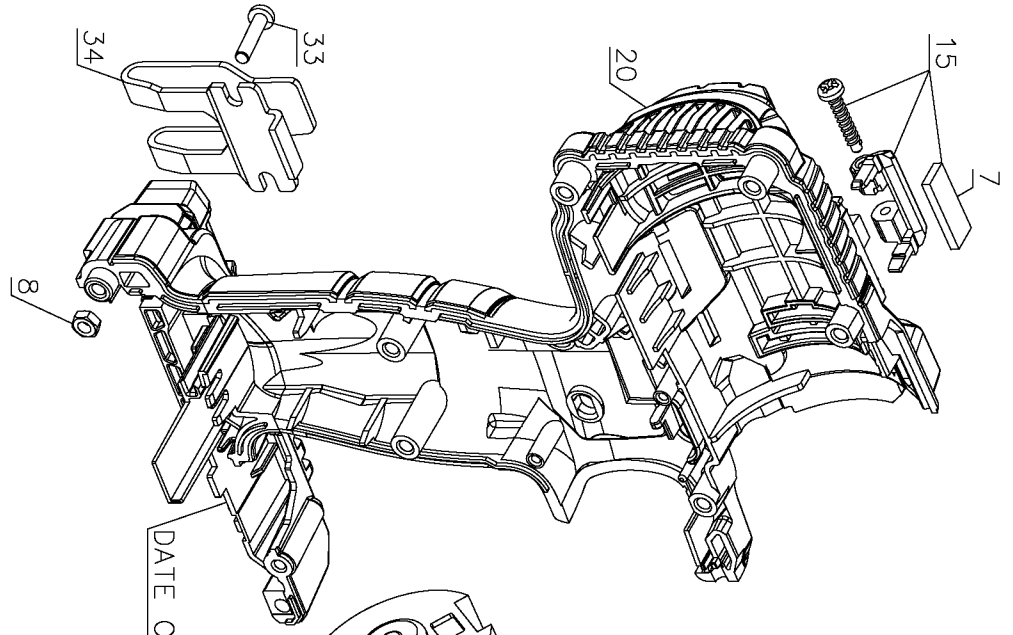
862



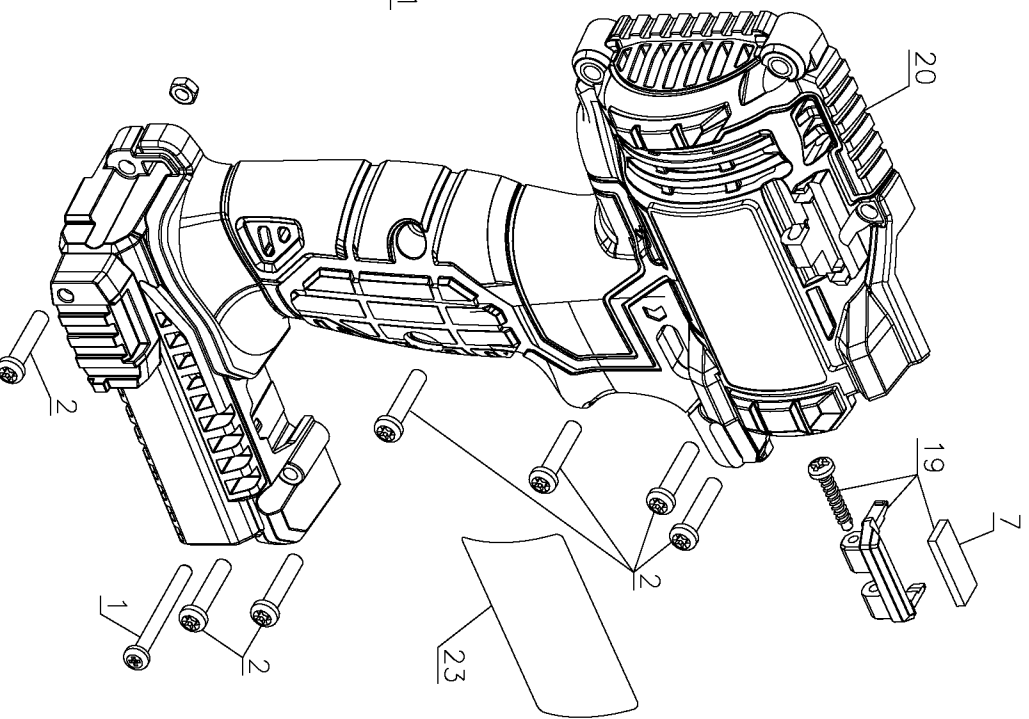
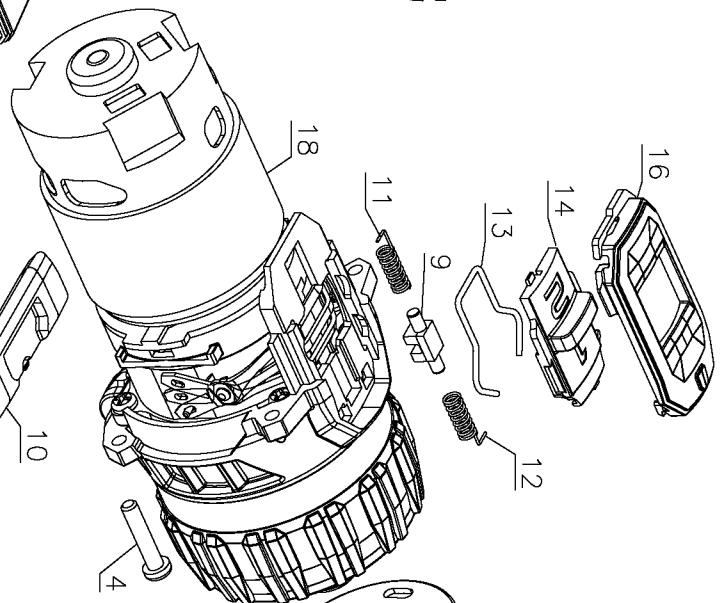
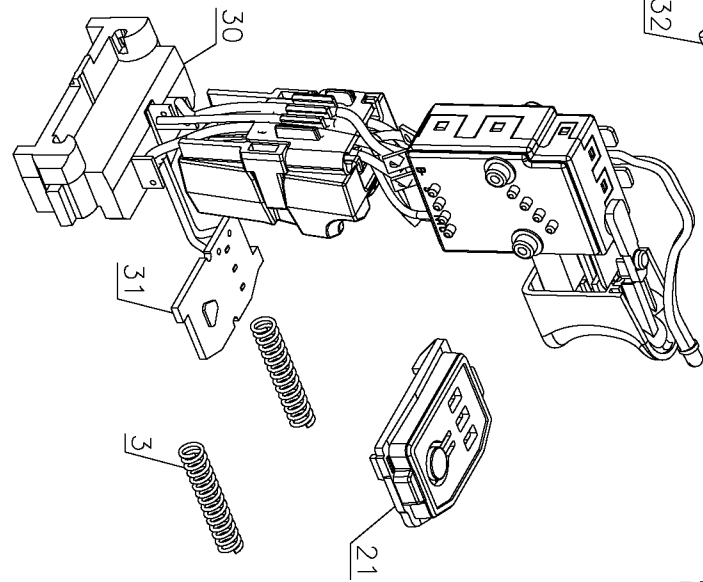
871



866



DATE CODE



## Parts List for PCC620LB Type 1

| Item Number | Part Number | Description      | Qty Required |
|-------------|-------------|------------------|--------------|
| 1           | 486578-00   | SCREW            | 1            |
| 2           | 497283-01   | SCREW            | 7            |
| 3           | 5100035-03  | SPRING           | 2            |
| 4           | 5101046-00  | SCREW            | 4            |
| 5           | 5103096-01  | SCREW            | 1            |
| 7           | 90556563    | MAGNET           | 2            |
| 8           | 90556571    | NUT              | 2            |
| 9           | 90569691    | SPRING HOLDER    | 1            |
| 10          | 90569693-03 | F/R ACTUATOR     | 1            |
| 11          | 90569695    | SPRING           | 1            |
| 12          | 90569696    | SPRING           | 1            |
| 13          | 90569697    | LEAF SPRING      | 1            |
| 14          | 90572092    | ACTUATOR         | 1            |
| 15          | 90591107    | BIT HOLDER ASSY  | 1            |
| 16          | 90583994    | SHROUD           | 1            |
| 18          | 90604615    | MOTOR & GEARCASE | 1            |
| 19          | 90591109    | BIT HOLDER ASSY  | 1            |
| 20          | 90585488    | HOUSING SET      | 1            |
| 21          | 90584186    | BEZEL            | 1            |
| 22          | 90586194    | CHUCK            | 1            |
| 23          | 90597061    | RATING LABEL     | 1            |
| 30          | 90578364-06 | SWITCH ASSEMBLY  | 1            |
| 31          | 90595419    | PCB ASSEMBLY     | 1            |
| 32          | 90572090-02 | TUBE             | 1            |
| 33          | 90573424    | SCREW            | 1            |
| 34          | 90587838    | BELT CLIP        | 1            |
| 862         | 90593050    | SOFT BAG         | 1            |

## Parts List for PCC620LB Type 1

| Item Number | Part Number | Description  | Qty Required |
|-------------|-------------|--------------|--------------|
| 866         | PCC682L     | BATTERY PACK | 1            |
| 871         | PCC692L     | CHARGER      | 1            |