

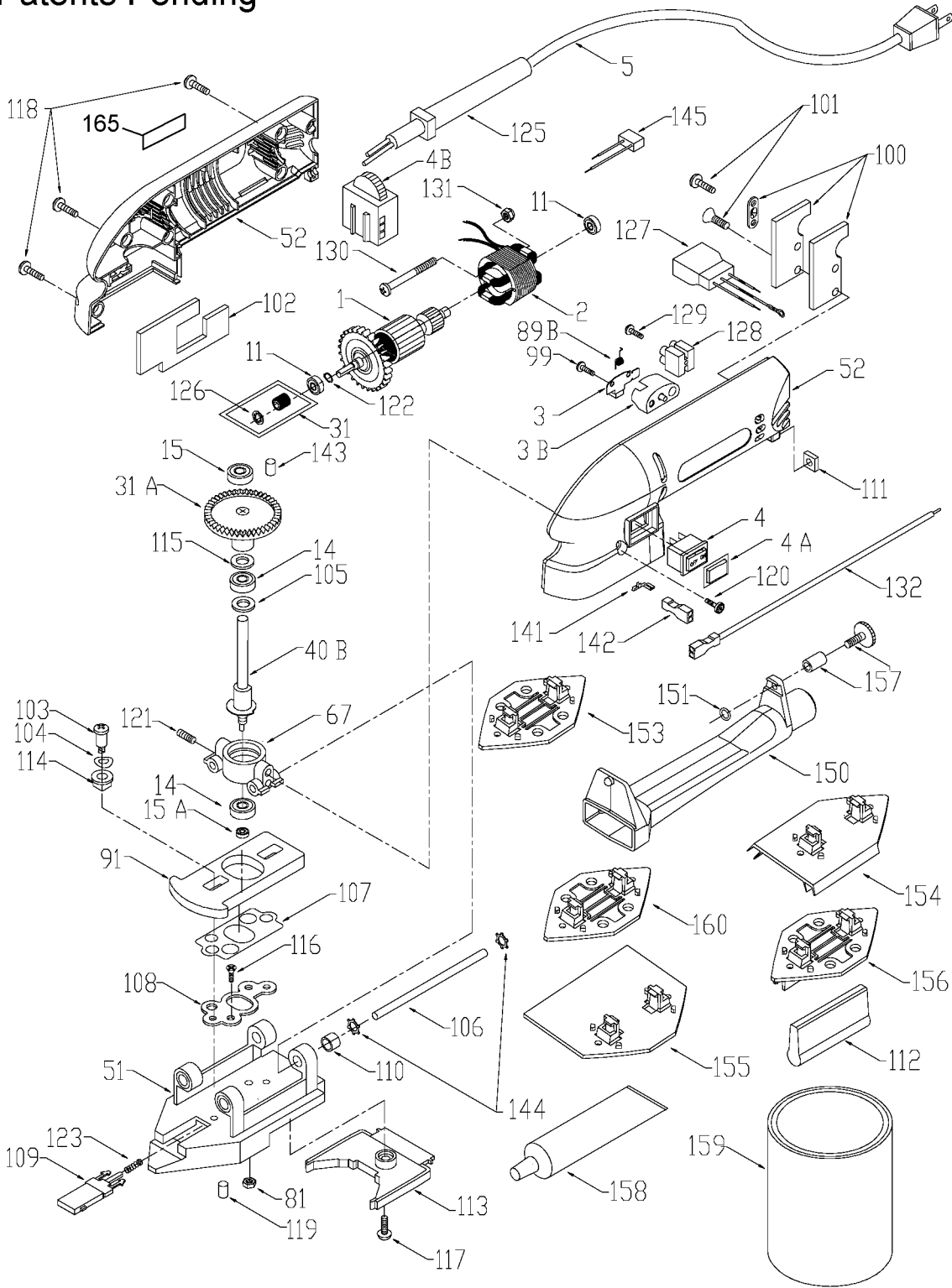
PORTER-CABLE

PROFILE SANDER

U.S. Patents Pending

WARNING: Electrical repairs should only be attempted by trained repairmen. Contact the nearest Porter-Cable Service Center or other competent repair center

444
444VS



NOTE: Do not use unapproved lubricants or LOCTITE® products on this Sander. LOCTITE® is a registered trademark of the LOCTITE CORP., Newington, CT

Parts List for PC9444 Type 1

Item Number	Part Number	Description	Qty Required
1	000000-00	No Longer Available	1
1	000000-00	No Longer Available	1
2	000000-00	No Longer Available	1
2	000000-00	No Longer Available	1
2	000000-00	No Longer Available	1
3	000000-00	No Longer Available	2
3	000000-00	No Longer Available	2
3	690740	BRUSH HOLDER BASE	2
4	887454	SWITCH (ON-OFF)	1
4	887453	SWITCH	1
4	887452	DUST SHIELD	1
4	000000-00	No Longer Available	1
5	A10193	CORDSET	1
5	000000-00	No Longer Available	1
11	330003-05	BEARING,BALL	3
14	N388929	BALL BEARING	3
15	000000-00	No Longer Available	3
15	000000-00	No Longer Available	3
31	881112	PINION	1
31	881113	GEAR	1
40	000000-00	No Longer Available	1
51	000000-00	No Longer Available	1
52	000000-00	No Longer Available	1
52	000000-00	No Longer Available	1
52	000000-00	No Longer Available	1
67	000000-00	No Longer Available	1
81	000000-00	No Longer Available	10

Parts List for PC9444 Type 1

Item Number	Part Number	Description	Qty Required
89	868775	BRUSH SPRING	2
91	000000-00	No Longer Available	1
99	879298	SCREW	10
100	861434	CORD CLAMP	1
100	000000-00	No Longer Available	1
101	882703	SCREW	10
101	000000-00	No Longer Available	10
102	000000-00	No Longer Available	1
103	000000-00	No Longer Available	10
104	000000-00	No Longer Available	10
105	000000-00	No Longer Available	10
106	000000-00	No Longer Available	1
107	000000-00	No Longer Available	1
108	000000-00	No Longer Available	1
109	000000-00	No Longer Available	1
110	000000-00	No Longer Available	3
111	841983	NUT	10
112	0-00	ACCESSORY	1
112	000000-00	No Longer Available	1
113	000000-00	No Longer Available	1
114	000000-00	No Longer Available	10
115	824529	WASHER	10
116	000000-00	No Longer Available	10
117	882185	SCREW MACHINE STEEL	10
118	879678	SCREW	10
119	810425	PLUG	1
120	000000-00	No Longer Available	10

Parts List for PC9444 Type 1

Item Number	Part Number	Description	Qty Required
121	000000-00	No Longer Available	10
122	847564	SNAP RING	1
123	000000-00	No Longer Available	10
125	810716	RELIEVER	1
126	000000-00	No Longer Available	10
127	000000-00	No Longer Available	1
128	000000-00	No Longer Available	1
129	000000-00	No Longer Available	10
130	000000-00	No Longer Available	10
131	000000-00	No Longer Available	10
132	000000-00	No Longer Available	1
141	000000-00	No Longer Available	1
142	000000-00	No Longer Available	1
143	883782	RUBBER PLUG	1
144	000000-00	No Longer Available	1
145	000000-00	No Longer Available	1
146	000000-00	No Longer Available	1
147	000000-00	No Longer Available	1
148	000000-00	No Longer Available	1
149	682063	CONNECTOR VS	1
150	000000-00	No Longer Available	1
150	000000-00	No Longer Available	1
150	000000-00	No Longer Available	1
151	879716	O RING	1
153	000000-00	No Longer Available	1
153	000000-00	No Longer Available	1
153	000000-00	No Longer Available	1

Parts List for PC9444 Type 1

Item Number	Part Number	Description	Qty Required
154	000000-00	No Longer Available	1
155	000000-00	No Longer Available	1
156	000000-00	No Longer Available	1
156	000000-00	No Longer Available	1
157	000000-00	No Longer Available	1
158	000000-00	No Longer Available	1
159	000000-00	No Longer Available	1
160	000000-00	No Longer Available	1
160	000000-00	No Longer Available	1
160	000000-00	No Longer Available	1
861	887712	LATCH CARRYING CASE	1
861	000000-00	No Longer Available	1