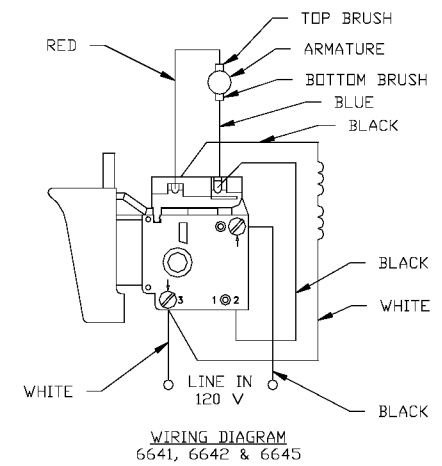
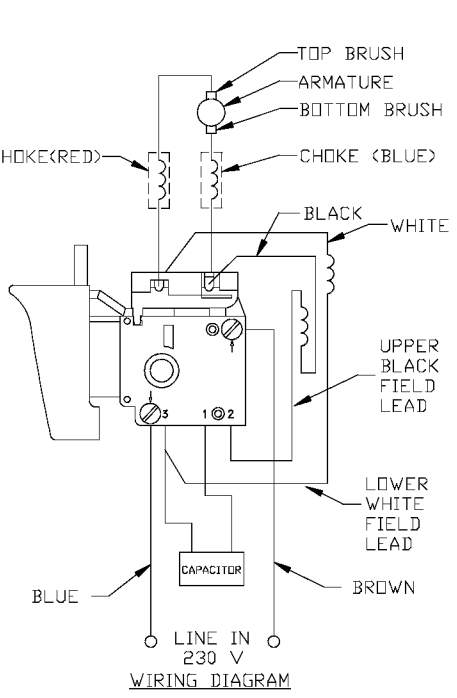
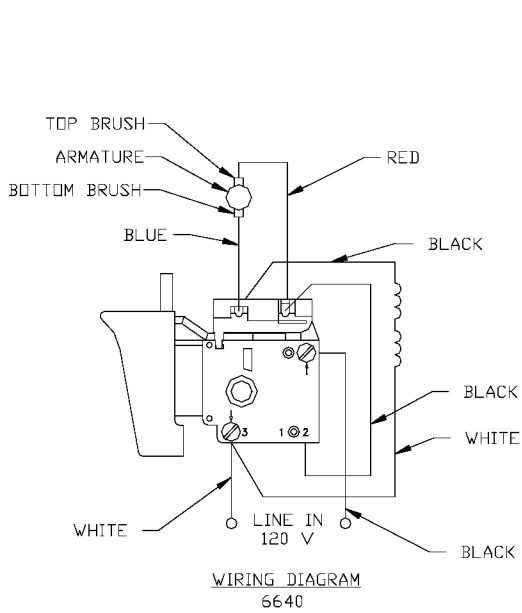
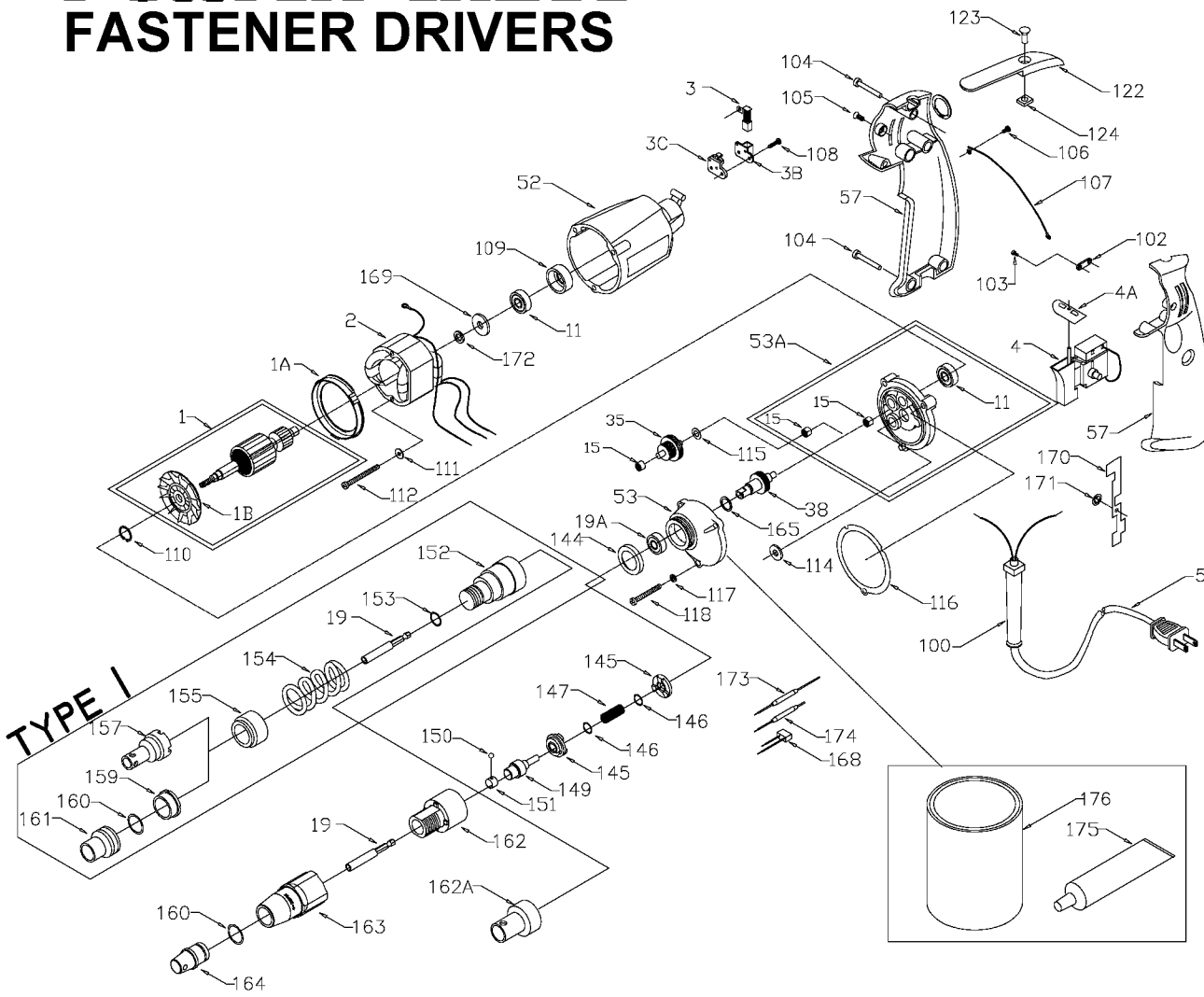


# PORTER-CABLE FASTENER DRIVERS

Cable Service Center or other competent repair center

6640  
6642  
6645



## Parts List for PC6641 Type 2

| Item Number | Part Number | Description         | Qty Required |
|-------------|-------------|---------------------|--------------|
| 1           | 000000-00   | No Longer Available | 1            |
| 1           | 000000-00   | No Longer Available | 1            |
| 1           | 811350      | BAFFLE              | 1            |
| 1           | 811531      | FAN                 | 1            |
| 2           | 000000-00   | No Longer Available | 1            |
| 2           | 000000-00   | No Longer Available | 1            |
| 3           | N119739     | BRUSH & SPRING      | 2            |
| 3           | 694301      | BRUSH HOLDER        | 2            |
| 3           | 694298      | BRUSH INSULATOR     | 2            |
| 4           | 000000-00   | No Longer Available | 1            |
| 4           | 888146      | SWITCH VSR          | 1            |
| 4           | 875868      | BUTTON-FWD/REV      | 1            |
| 4           | 875868      | BUTTON-FWD/REV      | 1            |
| 5           | 891461      | CORD & PLUG         | 1            |
| 5           | 695854      | CORDSET             | 1            |
| 11          | 330003-85   | BEARING             | 3            |
| 15          | 330004-00   | BEARING,NEEDLE      | 3            |
| 19          | 000000-00   | No Longer Available | 1            |
| 19          | 330003-17   | BEARING,BALL        | 3            |
| 35          | 000000-00   | No Longer Available | 1            |
| 38          | 000000-00   | No Longer Available | 1            |
| 52          | 876677      | MOTOR HSG PKG       | 1            |
| 53          | 000000-00   | No Longer Available | 1            |
| 53          | N400620     | INTERMEDIATE PLATE  | 1            |
| 57          | 876612      | HANDLE SET          | 1            |
| 57          | 876612      | HANDLE SET          | 1            |
| 100         | 810716      | RELIEVER            | 1            |

## Parts List for PC6641 Type 2

| Item Number | Part Number | Description         | Qty Required |
|-------------|-------------|---------------------|--------------|
| 102         | 861434      | CORD CLAMP          | 1            |
| 103         | 882703      | SCREW               | 10           |
| 104         | 900826      | SCREW               | 10           |
| 105         | 000000-00   | No Longer Available | 10           |
| 106         | 864137      | SCREW               | 10           |
| 107         | 000000-00   | No Longer Available | 1            |
| 108         | 864136      | SCREW               | 10           |
| 109         | 694432      | BEARING MOUNT       | 3            |
| 110         | 847564      | SNAP RING           | 10           |
| 111         | 802214      | WASHER-LCK INT      | 10           |
| 112         | 876651      | SCREW               | 10           |
| 114         | 852714      | SLINGER             | 1            |
| 115         | 848741      | WASHER              | 10           |
| 116         | 698609      | GASKET              | 1            |
| 117         | 802648      | WASHER              | 10           |
| 118         | 694015      | SCREW               | 10           |
| 122         | 000000-00   | No Longer Available | 1            |
| 123         | 800740      | SCREW               | 10           |
| 124         | 000000-00   | No Longer Available | 10           |
| 144         | 000000-00   | No Longer Available | 1            |
| 145         | 000000-00   | No Longer Available | 1            |
| 146         | 000000-00   | No Longer Available | 10           |
| 147         | 000000-00   | No Longer Available | 10           |
| 149         | 000000-00   | No Longer Available | 1            |
| 150         | 000000-00   | No Longer Available | 1            |
| 151         | 000000-00   | No Longer Available | 1            |
| 160         | 878486      | O RING              | 10           |

## Parts List for PC6641 Type 2

| Item Number | Part Number | Description         | Qty Required |
|-------------|-------------|---------------------|--------------|
| 162         | 000000-00   | No Longer Available | 1            |
| 163         | 000000-00   | No Longer Available | 1            |
| 165         | 000000-00   | No Longer Available | 10           |
| 168         | 000000-00   | No Longer Available | 1            |
| 169         | 000000-00   | No Longer Available | 10           |
| 170         | 000000-00   | No Longer Available | 1            |
| 171         | 000000-00   | No Longer Available | 10           |
| 172         | 849328      | SPACER              | 10           |
| 173         | 000000-00   | No Longer Available | 1            |
| 174         | 000000-00   | No Longer Available | 1            |
| 175         | 878499      | TUBE GREASE         | 1            |
| 176         | 801946      | LUBE                | 1            |
| 861         | 000000-00   | No Longer Available | 1            |
| 861         | 000000-00   | No Longer Available | 1            |