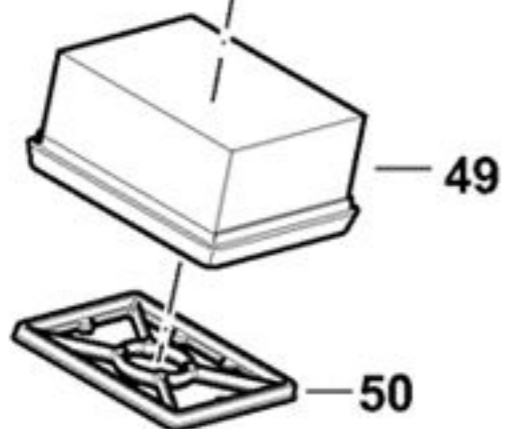
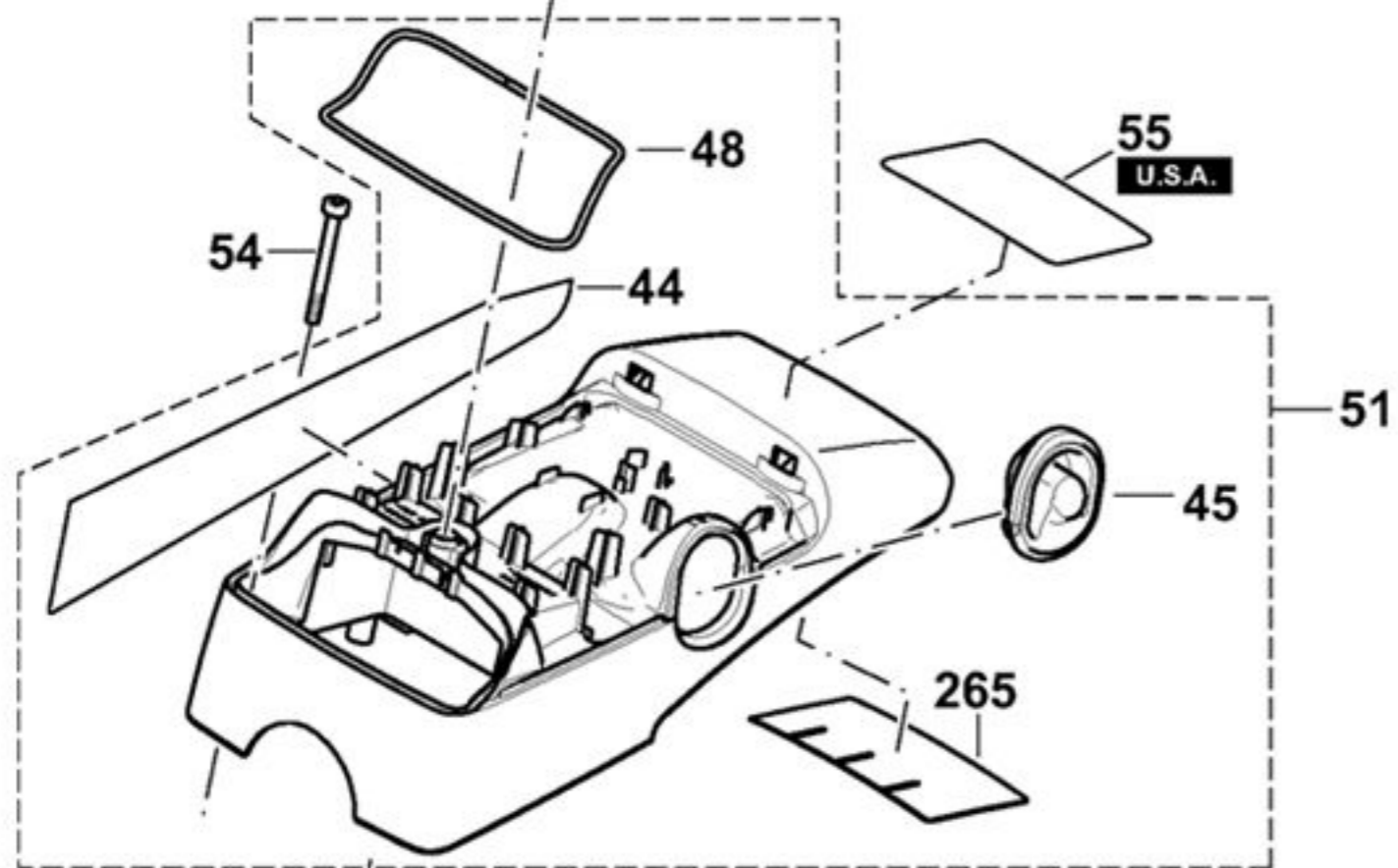
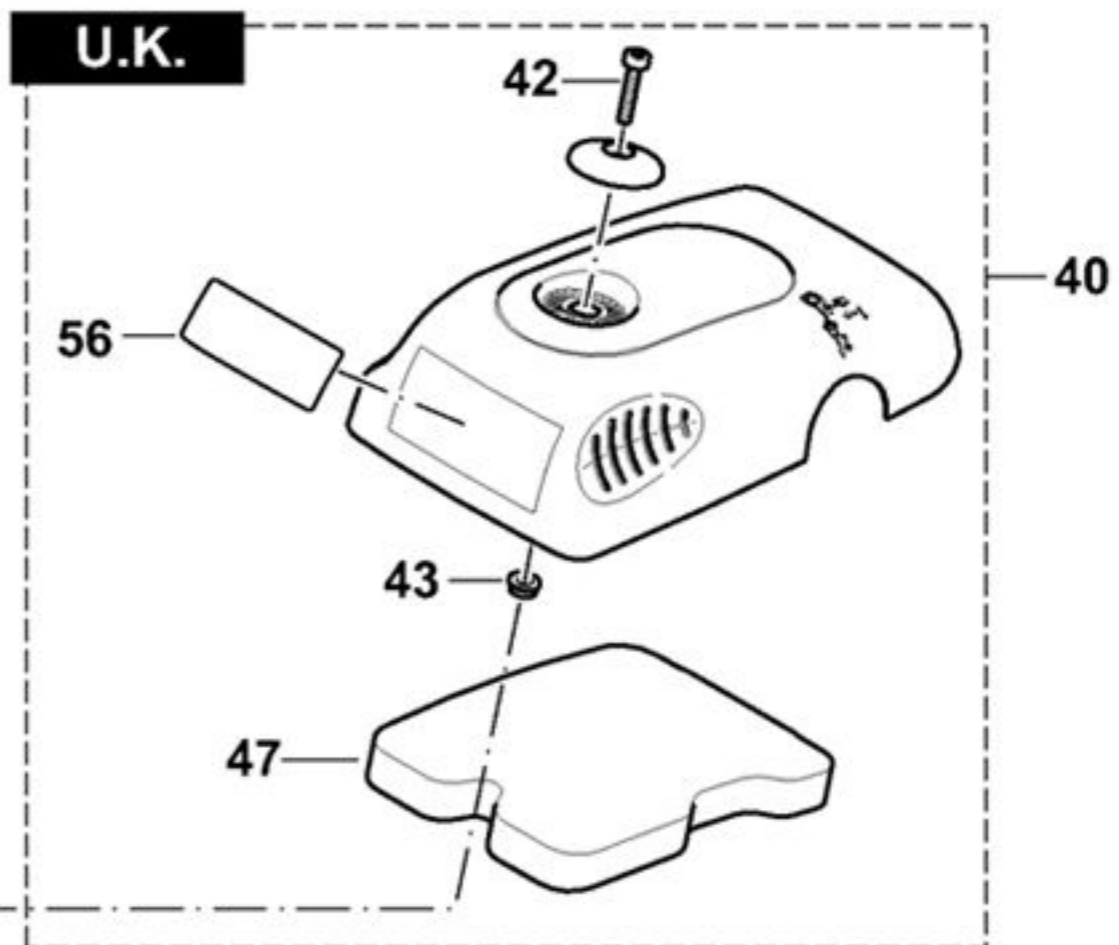
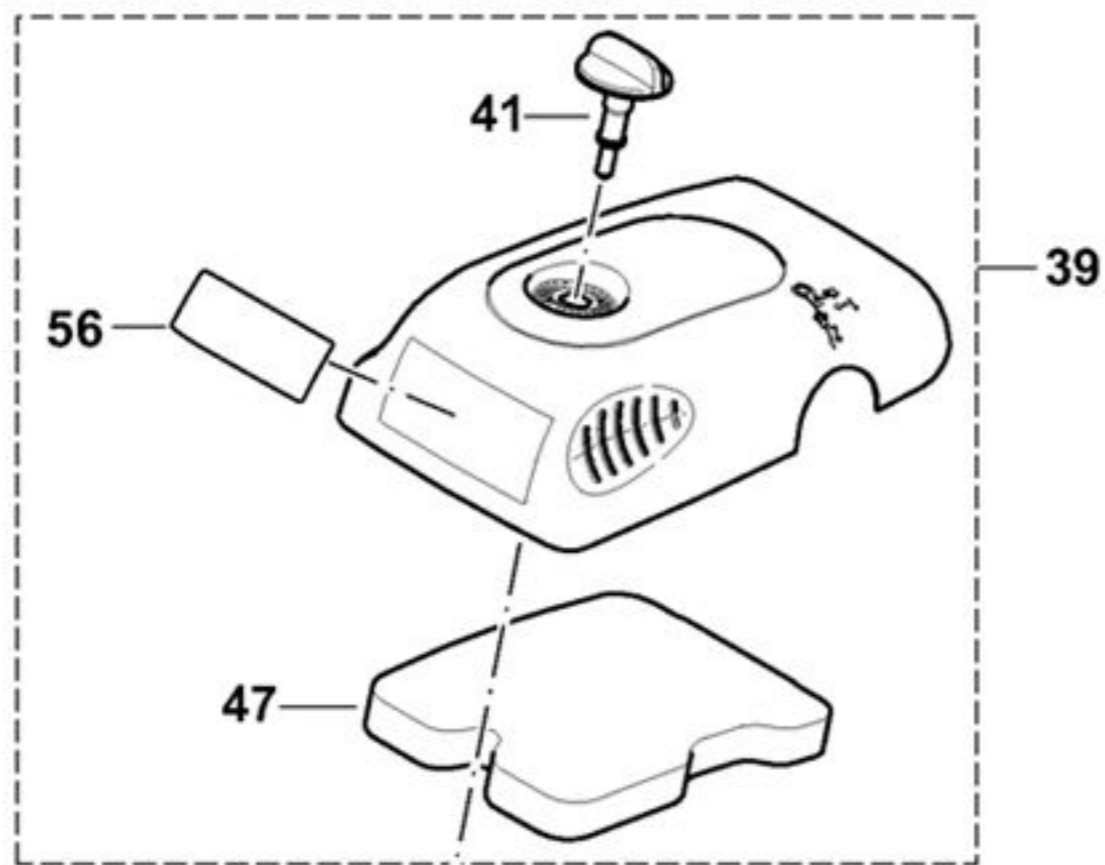
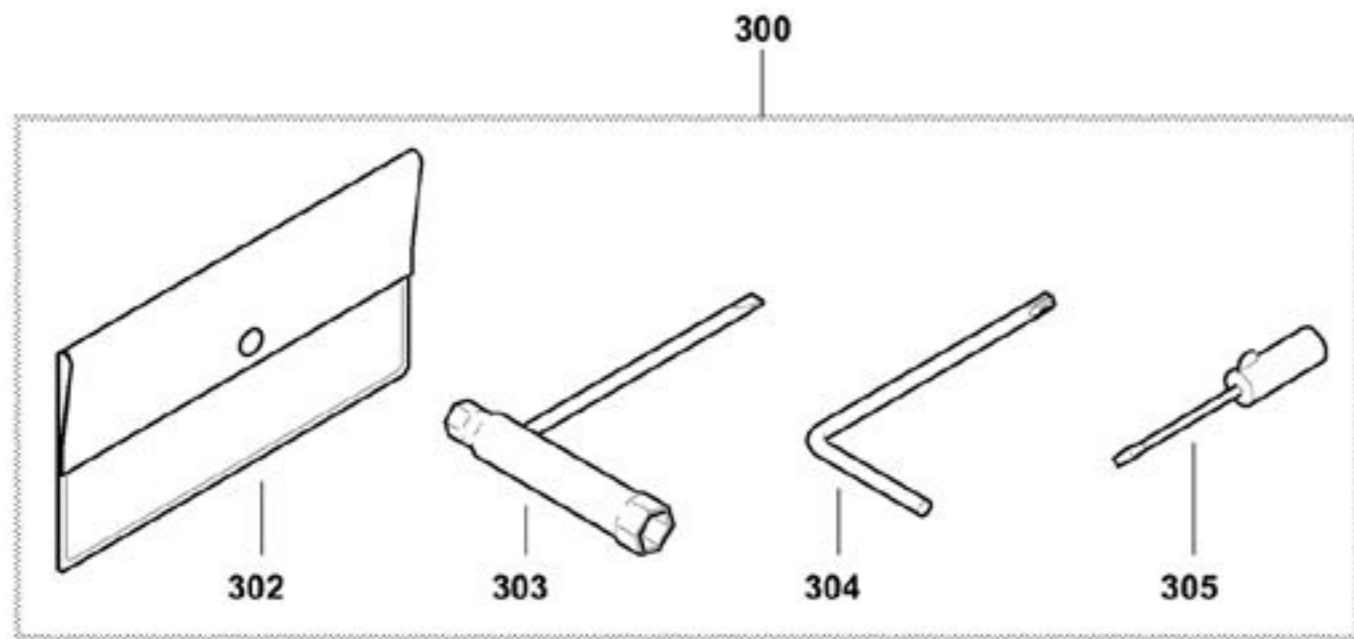


A



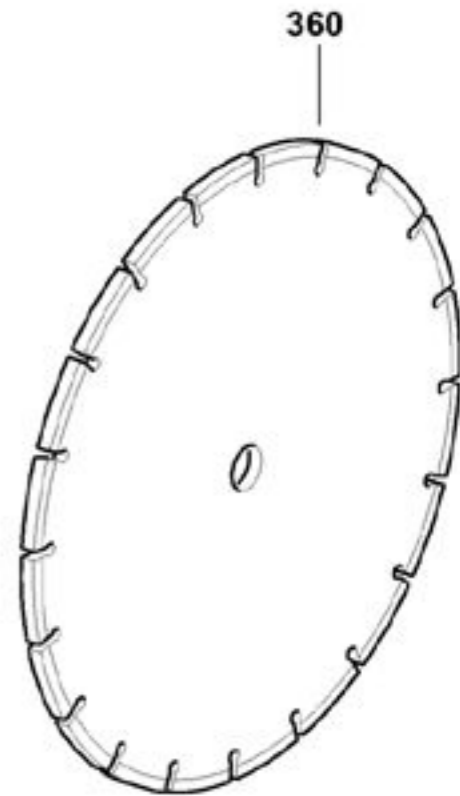
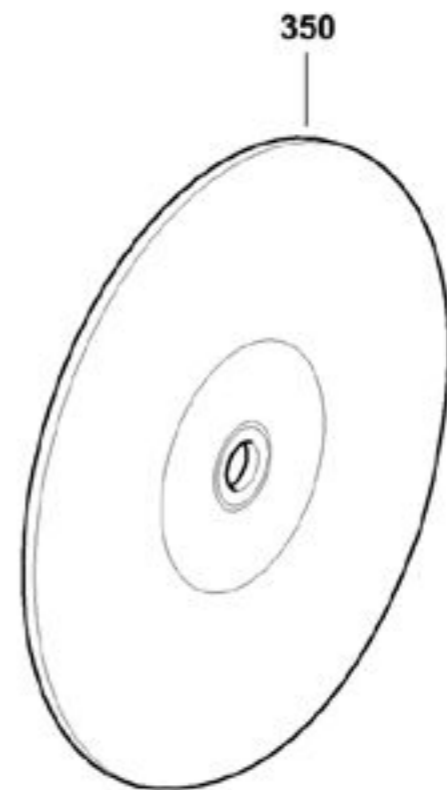
I



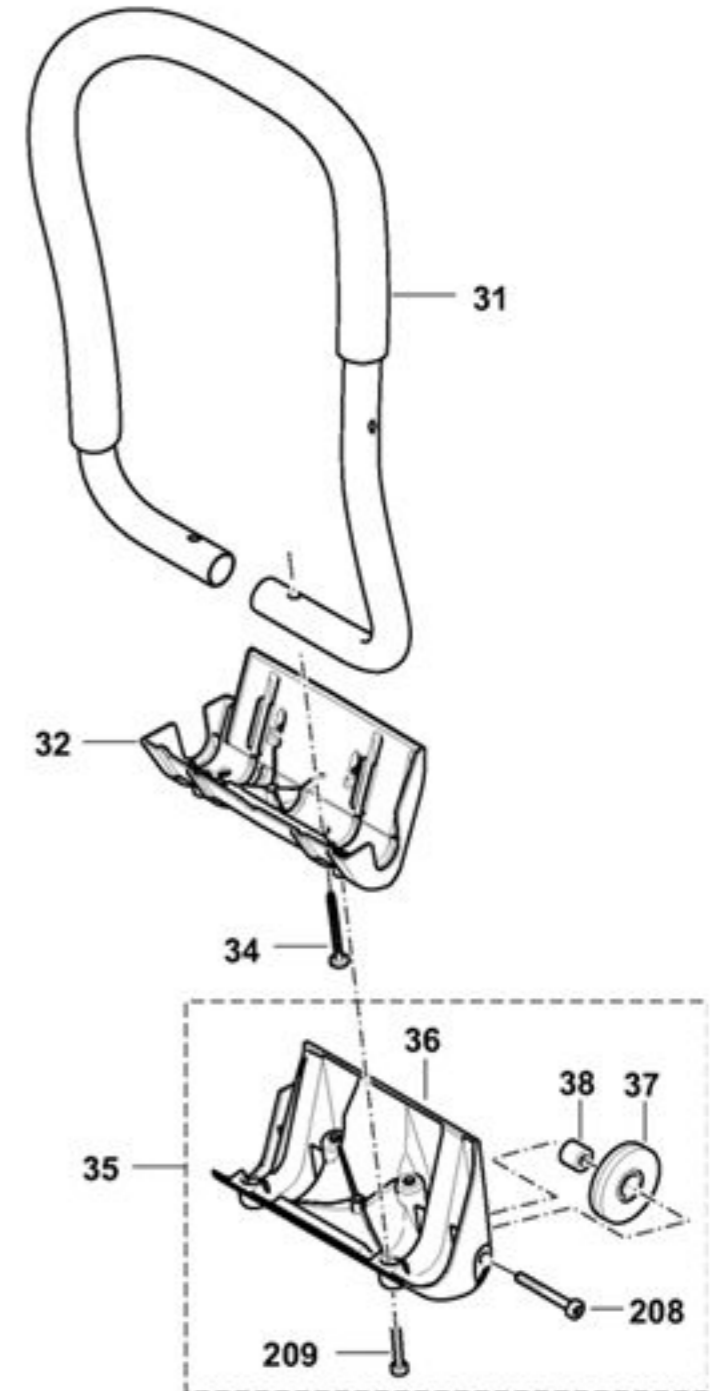
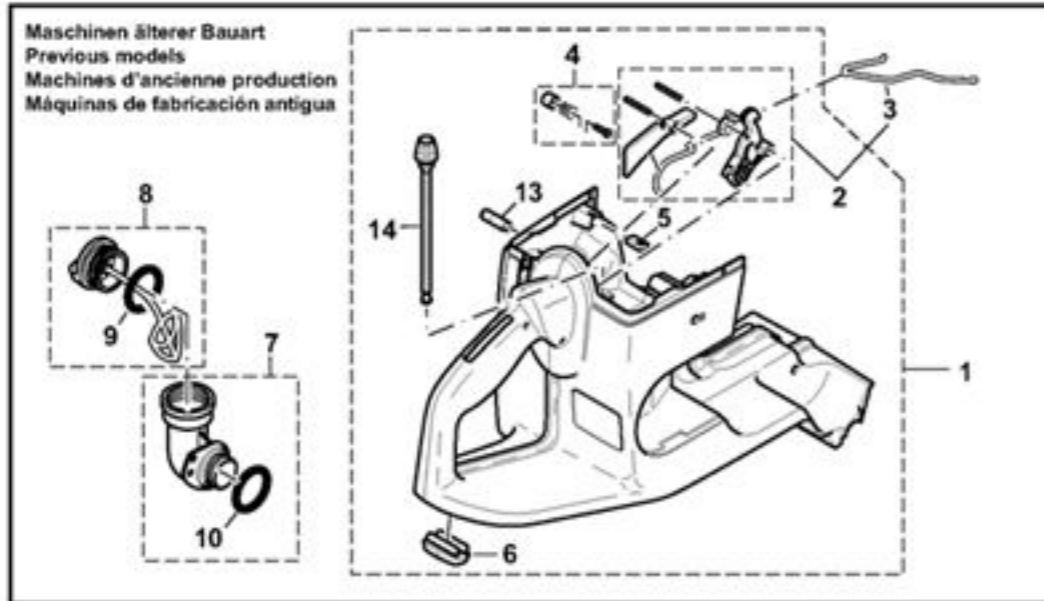
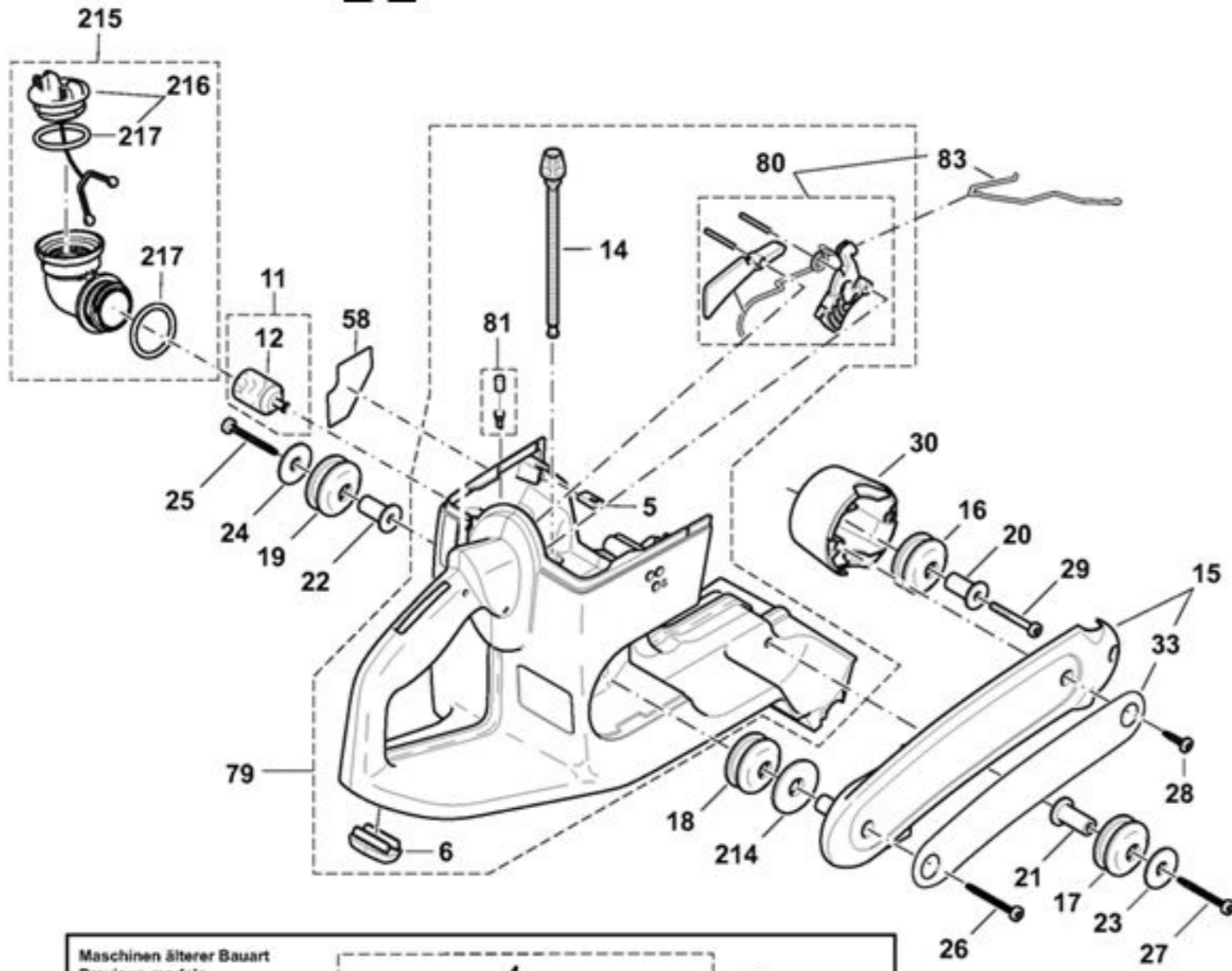
306

306

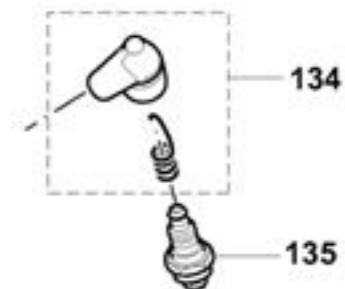
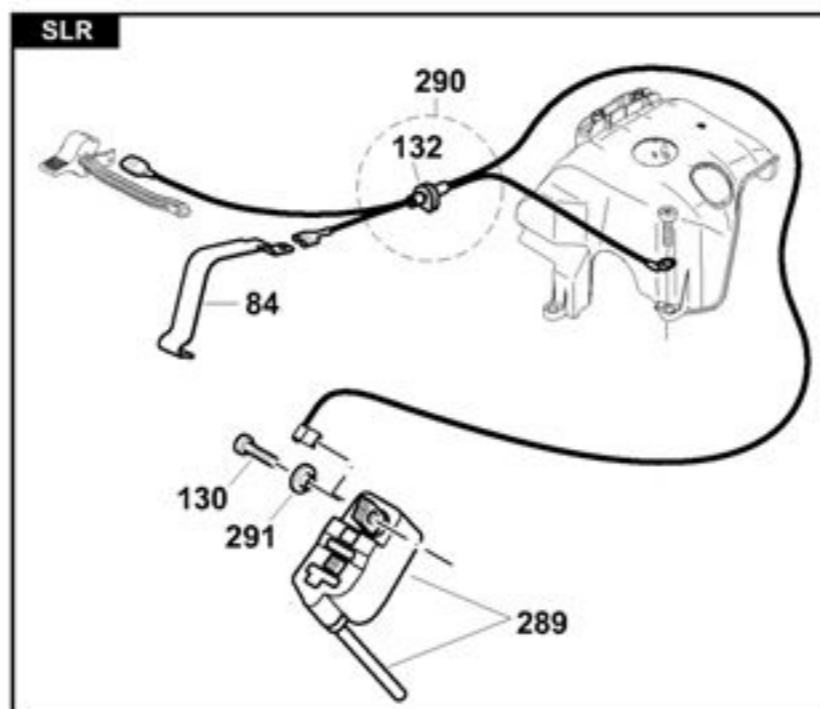
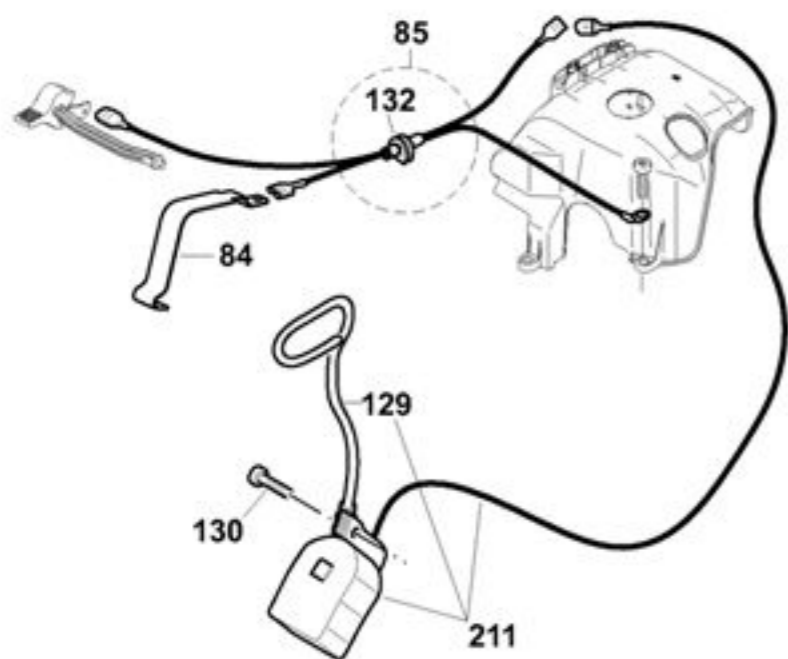
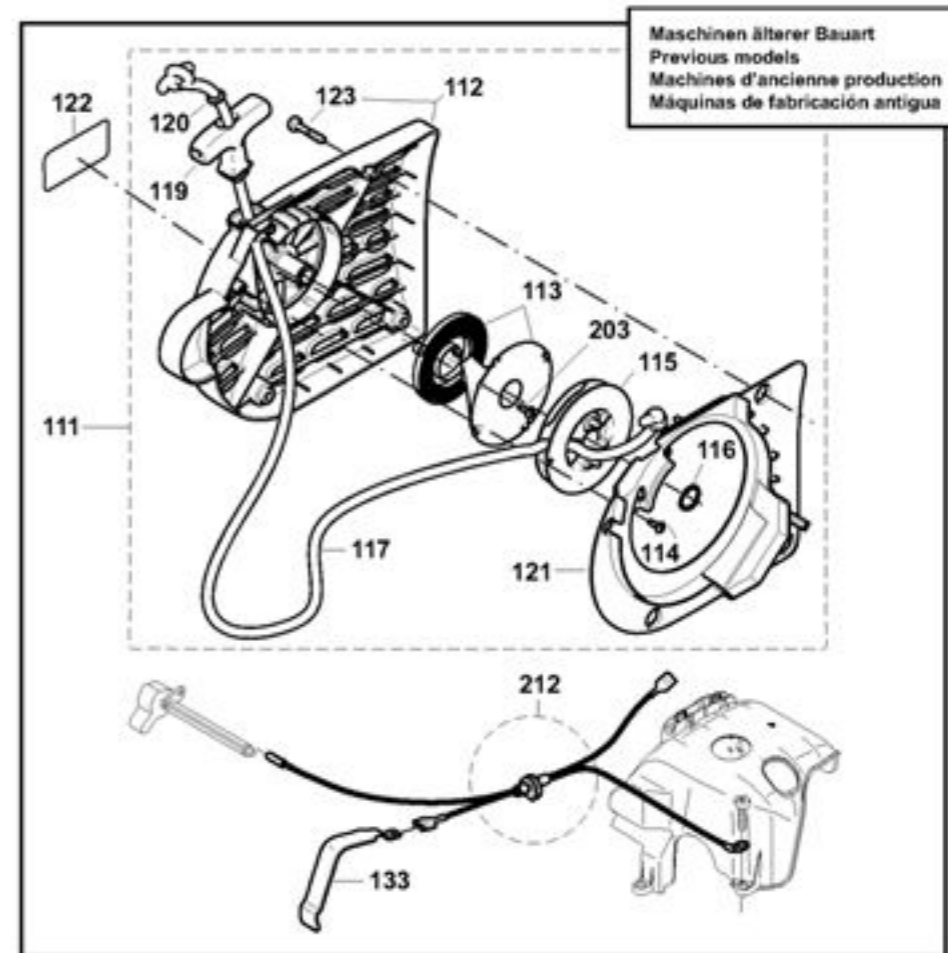
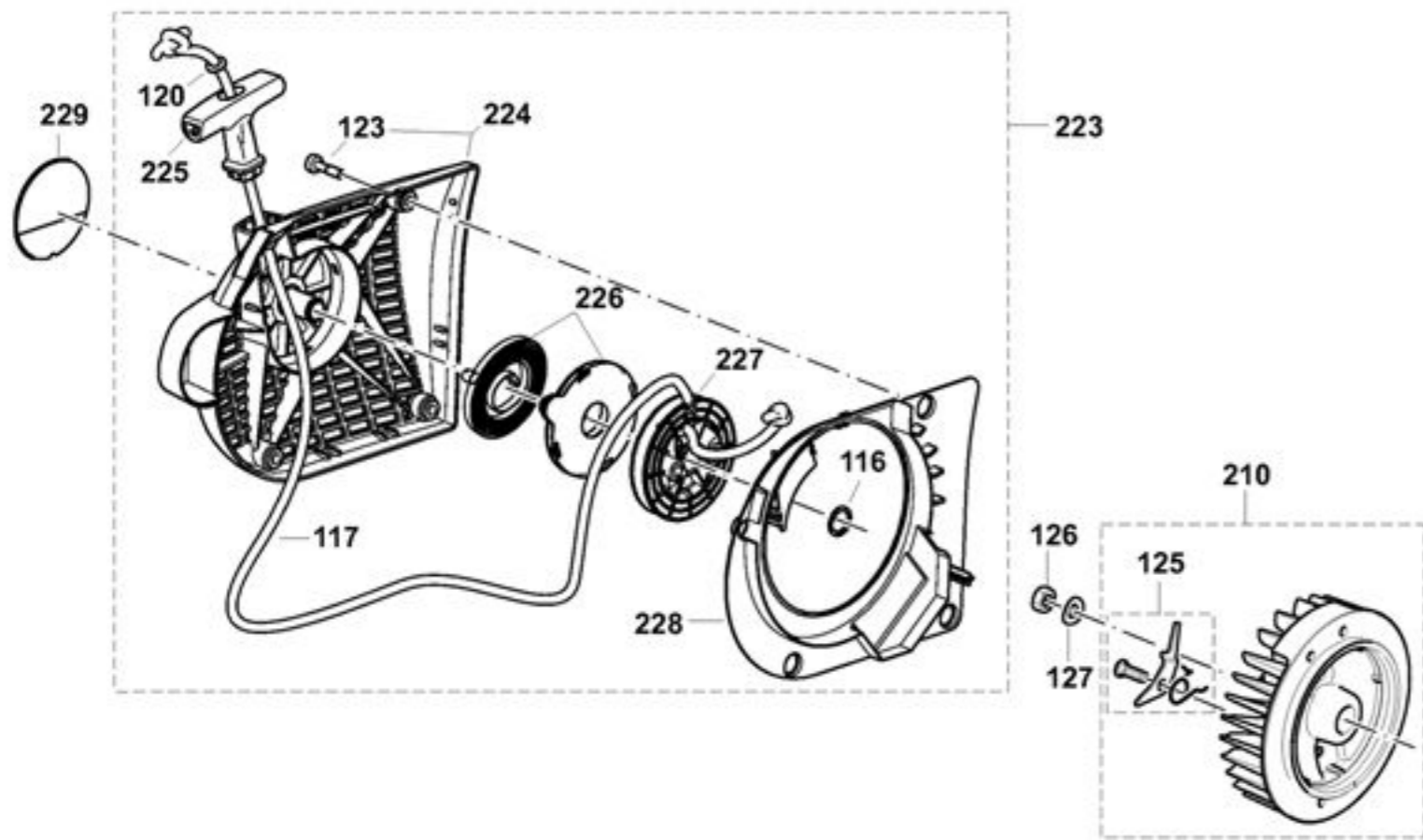
This diagram shows a close-up of a small, circular ring component, labeled 306. The ring has a central hole and a slightly raised, flange-like edge.



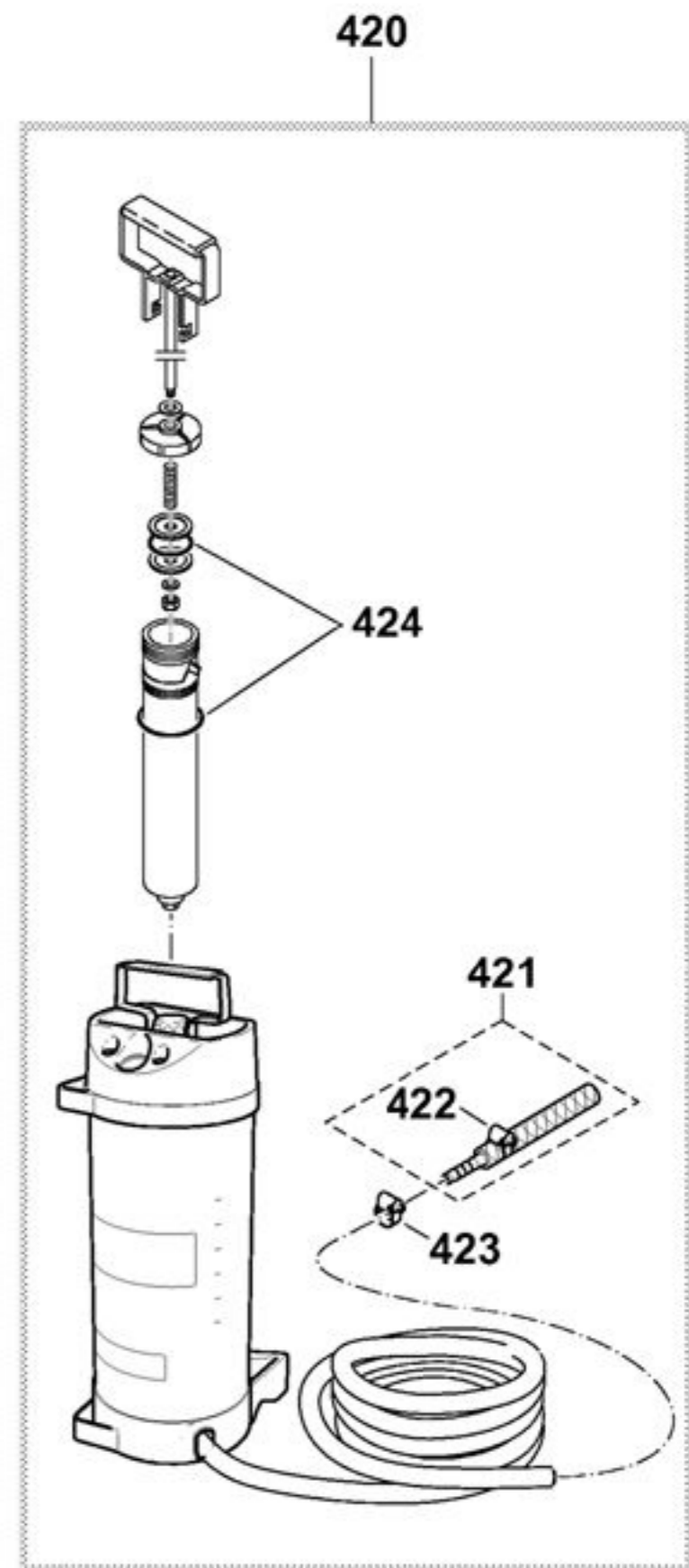
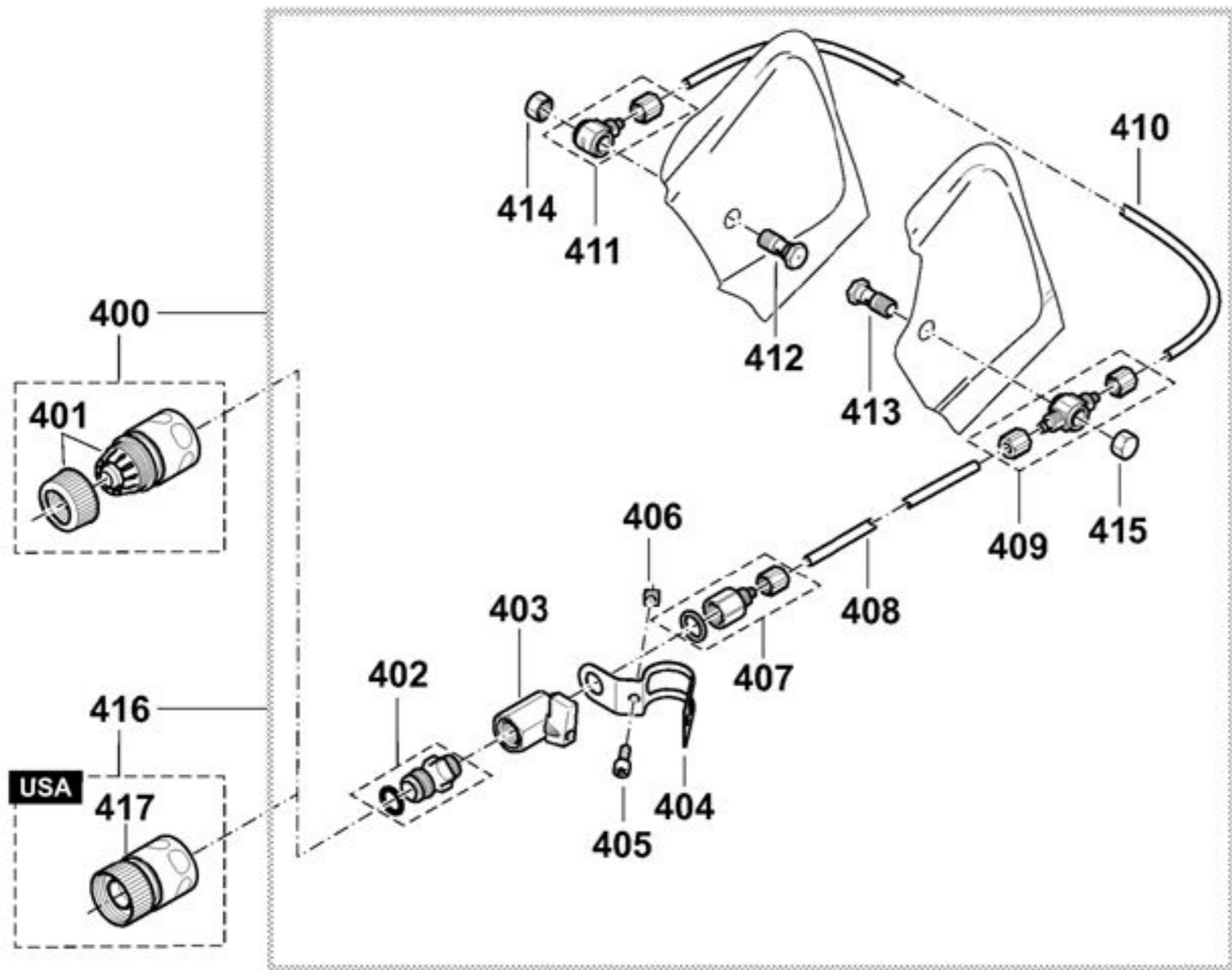
H



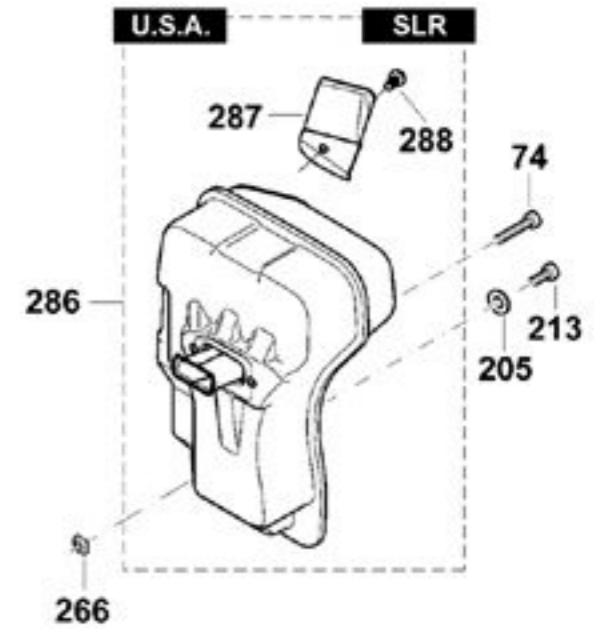
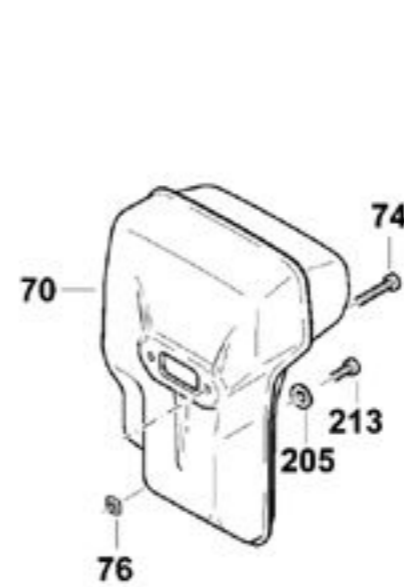
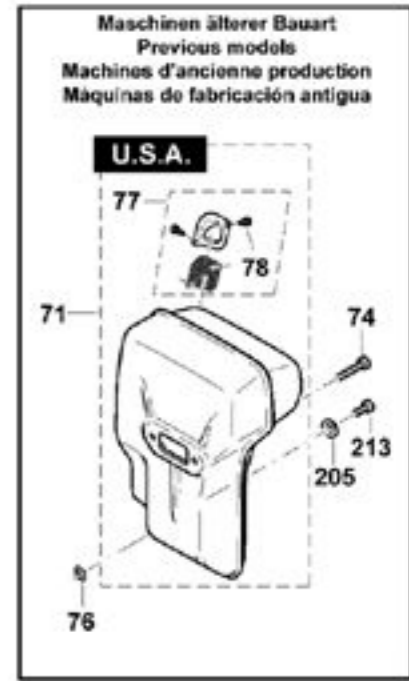
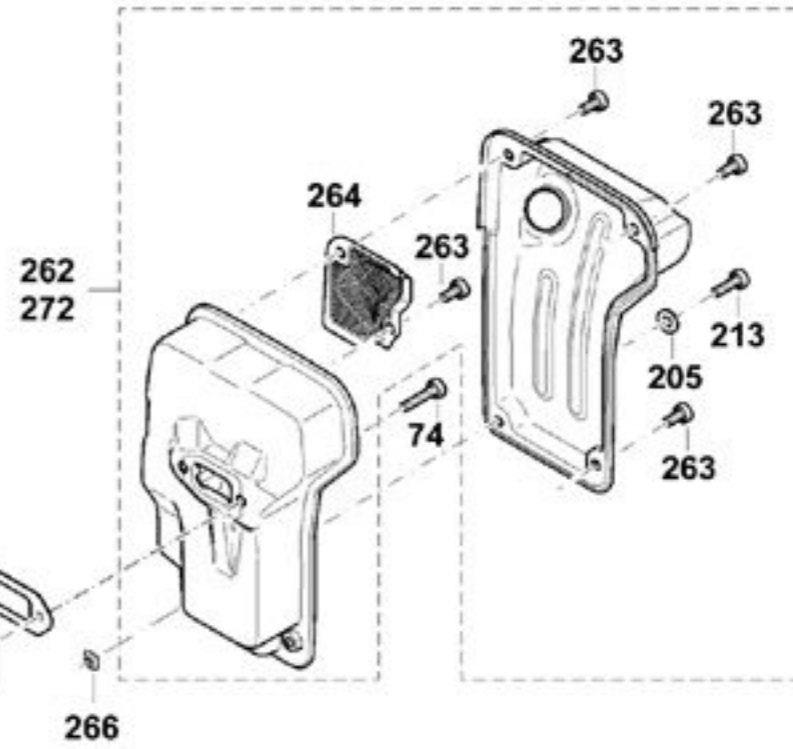
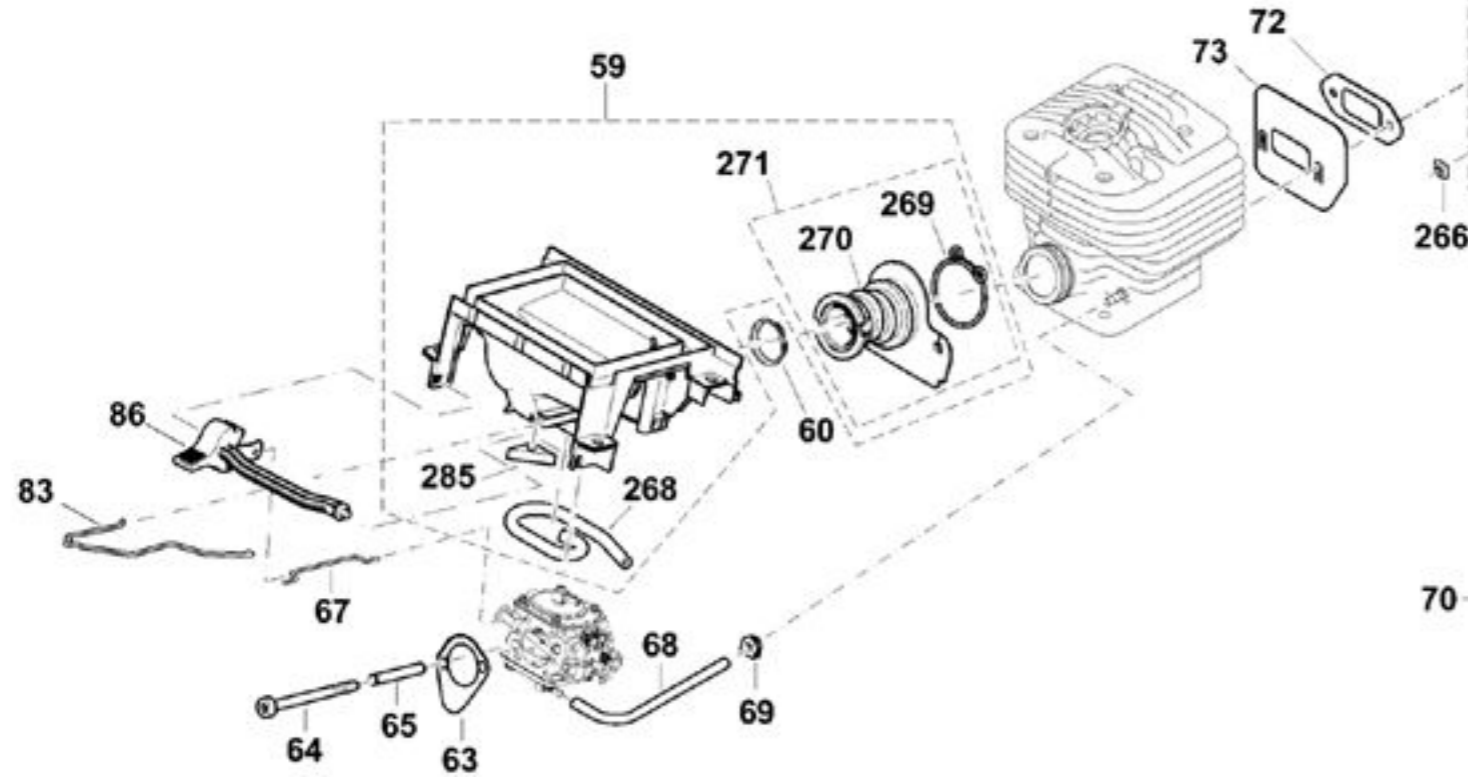
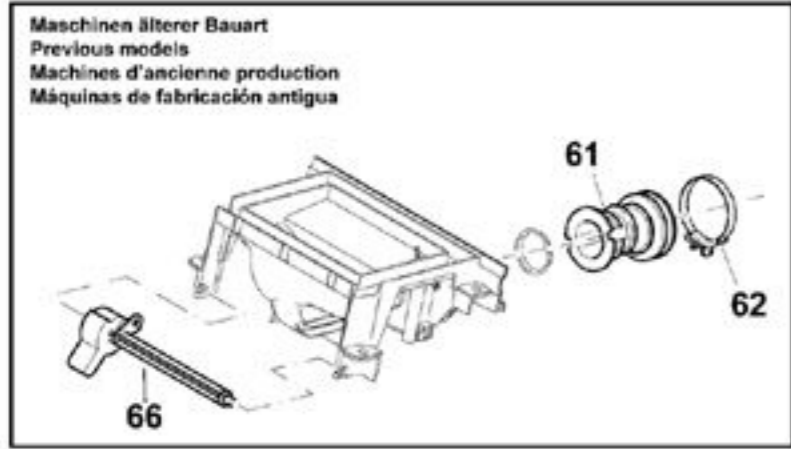
G



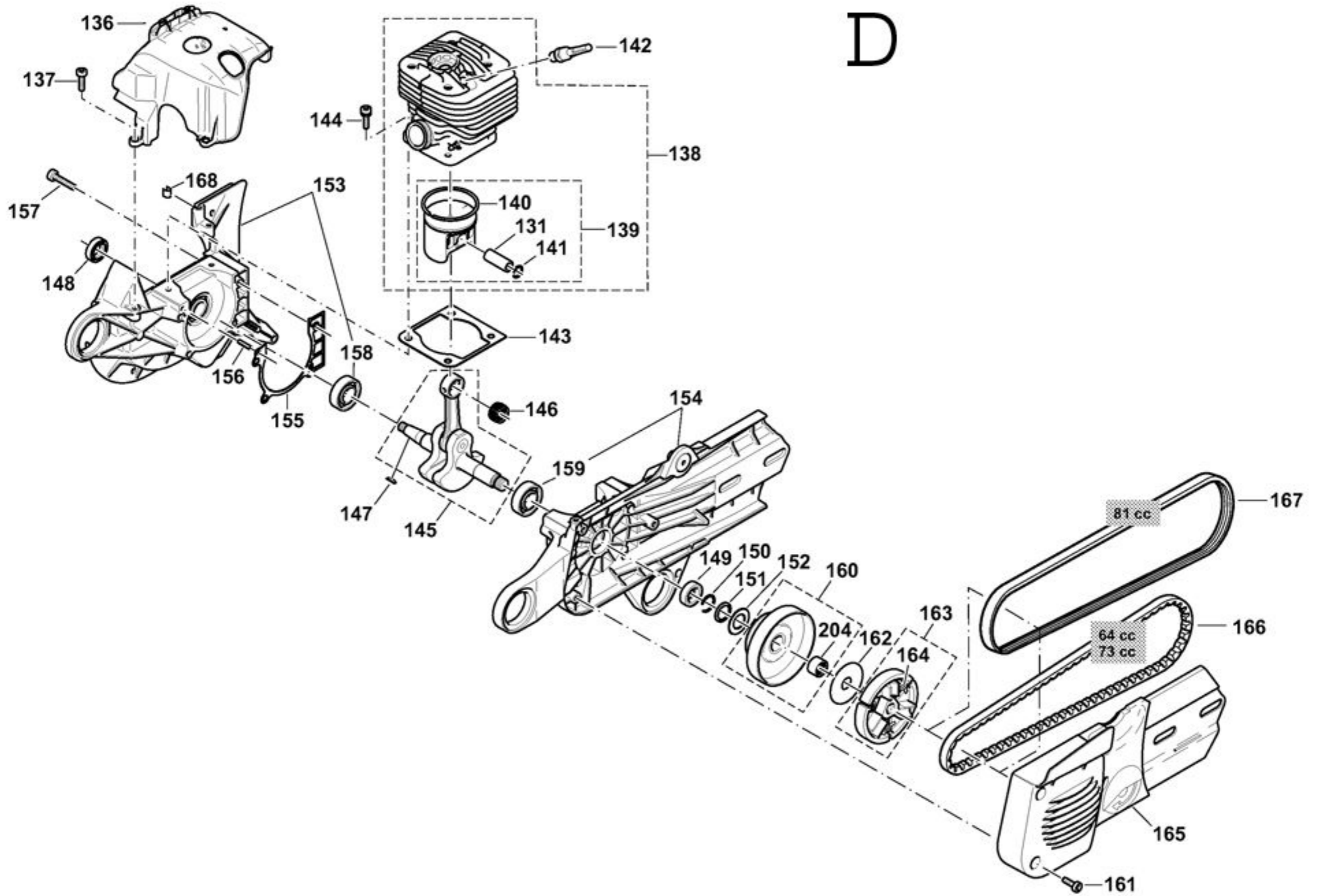
F



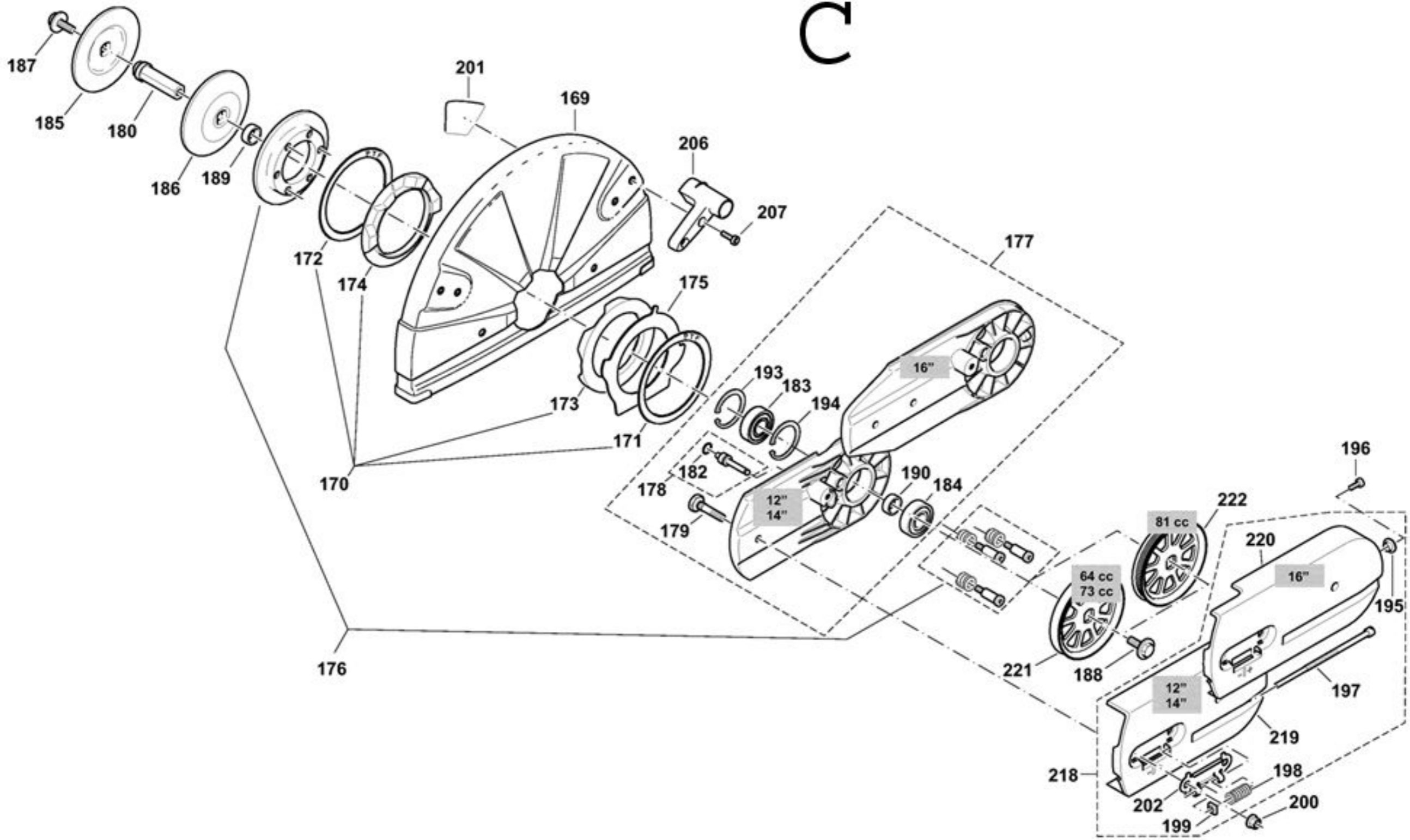
E



D



C



B

