

Hw Accu Drilling Machine - 0 603 933 861 - PBM 9,6...

www.powertools-aftersaleservice.com

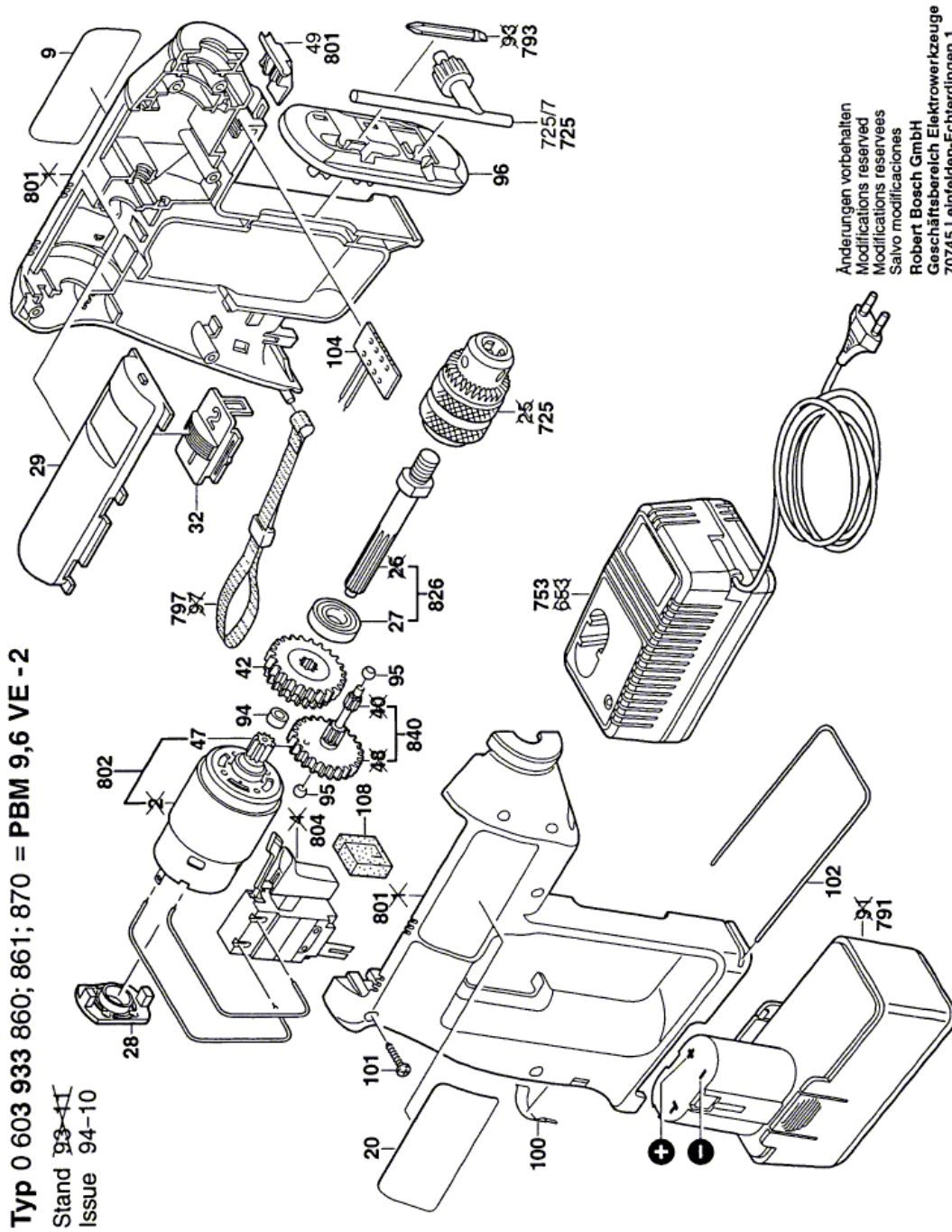


BOSCH

Item	Part Number	Description	Illustration	Price	Quantity	Price Group
9	2 601 118 399	Manufacturer's nameplate SUNNY SIDE	1	-,-	1	12
20	2 601 118 400	Reference Plate SHADOW SIDE	1	-,-	1	12
27	1 900 905 120	Deep-Groove Ball Bearing 10x26x8	1	-,-	1	22
28	2 605 719 006	Adapter	1	-,-	1	11
29	2 605 510 147	Insert Piece BLACK	1	-,-	1	14
32	2 601 099 032	Adjusting Slide	1	-,-	1	13
42	1 609 340 007	Set Of Gears Z=58/67	1	-,-	1	30
47	2 606 316 112	Pinion Z=11	1	-,-	1	16
49	2 605 510 117	Insert Piece BLACK	1	-,-	1	11
94	2 600 301 011	Sintered-Metal Bushing	1	-,-	1	11
95	2 600 302 002	Sintered-Metal Bushing	1	-,-	2	11
96	2 608 040 067	Key Holder	1	-,-	1	13
100	2 601 322 016	Clamp Spring	1	-,-	1	14
101	2 912 401 420	Tapping Screw DIN7981-ST3,9x19-F-Z	1	-,-	6	10
102	2 601 329 041	Retaining Bracket	1	-,-	1	11
104	2 608 018 004	Contact retainer	1	-,-	1	16
108	2 601 010 038	Dust Protection	1	-,-	1	11
725	2 608 571 032	Key Chuck Ø 1-10 MM,3/8"	1	-,-	1	-
725/7	1 607 950 053	Chuck Wrench SG1, Ø5x80 MM	1	-,-	1	-
753	2 607 224 708	Fast Charger USA 120/7,2-14,4V, 30 MIN.	1	-,-	1	-
753	2 607 224 431	Fast Charger USA 120/7,2-24V, 1h	1	-,-	1	48
753	2 607 224 701	Fast Charger EU 230/7,2-14,4V, 30 MIN.	1	-,-	1	45
753	2 607 224 425	Fast Charger EU 230/7,2-24V, 1h	1	-,-	1	46
753	2 607 224 705	Fast Charger AUS 240/7,2-14,4V, 30 MIN.	1	-,-	1	48
753	2 607 224 443	Fast Charger AUS 240/7,2-14,4V, 1h	1	-,-	1	43
791	2 607 336 143	Slide-In Accu Package 9,6V, 1,5 Ah, NiCd	1	-,-	1	41
793	1 609 200 147	Screwdriver Blade 6 MM	1	-,-	1	14
797	2 601 398 009	Carrying Loop	1	-,-	1	-
801	2 605 104 855	Housing Section GREEN	1	-,-	1	27
802	2 607 022 923	DC motor 9,6V	1	-,-	1	29
804	2 607 200 309	On-Off Switch	1	-,-	1	40
826	2 606 309 915	Drilling Spindle 3/8"	1	-,-	1	28
840	1 609 340 005	Toothed Shaft Z=10/19/81	1	-,-	1	29

Item	Part Number	Description	Illustration	Price	Quantity	Price Group
899	0 603 933 870	. BATTERY WITHOUT CHARGER	N/A	-,-	1	-

Illustration - Type E



Information subject to change without further notice.