



**BOSCH**

# Rotary Hammer

PBH 160 R | 0 603 304 769

---

## Table of Content

Spare parts list.....	2
Illustration - Type.....	5

Spare parts list

Item	Part Number	Description		
2	2 604 220 515	Field	220-240V	
3/50	2 606 610 022	Fan		
4	2 607 200 357	Switch		
5	1 614 460 076	Power supply cord	CN 2,65m 2 x 1,00mm	
		H07 RN-F		
6	2 600 703 018	Grommet	Ø7,3-Ø8,6x76 MM	
7	1 611 035 005	Cable Clip		
9	1 601 118 139	Manufacturer's nameplate		
10	2 605 807 060	Brush Plate		
11	1 601 118 140	Reference Plate		
12	1 607 328 040	Suppression Filter		
13	1 610 905 025	groove ball bearing	7x19x6	
14/1	1 610 905 048	groove ball bearing	9x24x7	
15	1 610 026 001	Damping rubber		
20	1 616 409 012	Catch Disk		
22	1 616 317 608	Cylindrical Gear	Z=51	
27	1 618 710 068	Striker		
30	1 611 911 000	Drive Lever		
32	1 614 632 001	Compression Spring		
33	1 614 634 008	Compression Spring		
34	1 613 100 021	Bearing Pin		
36	1 610 190 021	Supporting Disc		
39	1 610 508 021	Protective Cap	SDS-PLUS	
43	1 610 190 020	Supporting Disc		
53	1 610 910 077	Needle bearing		
55	1 610 920 012	Roller Thrust Bearing		
56	1 610 102 030	Support Disc	1,0 MM	THICK
57	1 610 920 009	Roller Thrust Bearing	BLACK	
60	1 610 280 006	Seal Ring		
62	1 610 210 125	O-Ring	18,0x2,5 MM	
63	1 903 230 013	Ball	DIN 5401-Ø7MM-III-ST	
65	1 614 601 018	Retaining ring		
67	1 614 601 077	Spring retaining ring		
72	1 610 100 007	Shim washer	1,0 MM	THICK
74	1 611 015 040	Sealing Frame		

Spare parts list

Item	Part Number	Description		
75	1 611 015 041	Sealing Frame		
76	1 611 015 042	Sealing Frame		
86	2 604 448 147	Connecting Cable	L=85 MM	WHITE
87	2 604 448 096	Connecting Cable	L=115MM	BLUE
88	2 604 448 034	Connecting Cable	L=88 MM	WHITE
89	2 604 448 060	Cable	L=173 MM	WHITE
90	2 604 448 170	Earth Conductor		
92	2 912 401 021	Tapping Screw	DIN7981-ST3,9x22-C-Z	
93	2 912 401 019	Tapping Screw	DIN7981-ST3,9x16-C-Z	
94	2 603 490 017	Torx Oval-Head Screw	3x10	
95	2 603 410 001	Socket head cap screw	M3x6,5-4.8	
110	1 601 118 B75	Reference Plate		
180	1 611 110 855	Sticker		
801	1 617 000 362	Housing Section	GREEN	
803	1 614 010 144	Armature	220-230V	
806	1 900 452 012	End Splice	DIN 46 228-A1-6	
808	1 601 11A 3H3	Nameplate		
810/040	1 617 014 136	Carbon-Brush Set		
810/060	2 601 322 013	Ratchet Cap		
810/060	2 601 322 017	Ratchet Cap		
816	2 607 200 231	Change-Over Switch		
821	1 617 000 320	Hammer Pipe	SDS-PLUS	
821/01	1 617 000 349	Hammer Pipe	SDS-PLUS	
824	1 617 000 972	Jack Shaft		
841	1 617 000 303	Protection Sleeve	SDS-PLUS	
844	1 617 000 322	Clamp Handle	BLACK	
850	1 617 000 975	Bushing		
864	1 613 100 019	Straight Pin	DIN6325-2,5x12-RIKO	
44	1 612 026 075	Clamp Handle	BLACK	
78/20	2 915 011 007	Hex Nut	DIN 934-M6-8-A	
78/30	1 613 480 007	Wing Screw	M6x(15)55	
78/50	2 608 040 014	Clamping Plate	M6	
78/60	1 613 480 008	Wing Screw	M6x20 MM	
700	1 617 000 132	Drill Chuck Shank	SDS-PLUS	

**Spare parts list**

Item	Part Number	Description	
700/20	2 603 421 226	Countersunk-Head Screw LEFTHAND THREADS	M6x27
701	1 608 571 088	Chuck	
701/7	2 607 950 007	Chuck Wrench	SG2
702	1 617 000 133	Parts Set	
702/10/2	2 604 601 004	Retaining ring	
702/20	1 608 521 004	Screwdriver Blade	NR.2,1/4"
702/30	2 607 000 248	Screwdriver Bit	3 PIECE
702/40	1 608 511 020	Screwdriver Blade	GR.1,0x6, 1/4"
703	1 615 439 003	Dust Tray	
703/30	1 610 312 001	Rubber Bushing	Ø5-7 MM
703/651	1 610 312 002	Rubber Bushing	Ø8-10 MM
750	2 605 438 387	Carrying Case	
752	1 613 001 005	Depth-Gauge	SW 6x210 MM
754	2 607 000 122	Drill Holder	
754	2 607 018 117	Drill Holder	
778	1 612 025 034	Auxiliary Handle	Ø 43 MM
778	1 619 PB4 323	Auxiliary Handle	
844/1	1 617 000 974	Clamp Handle	BLACK

Illustration - Type - E

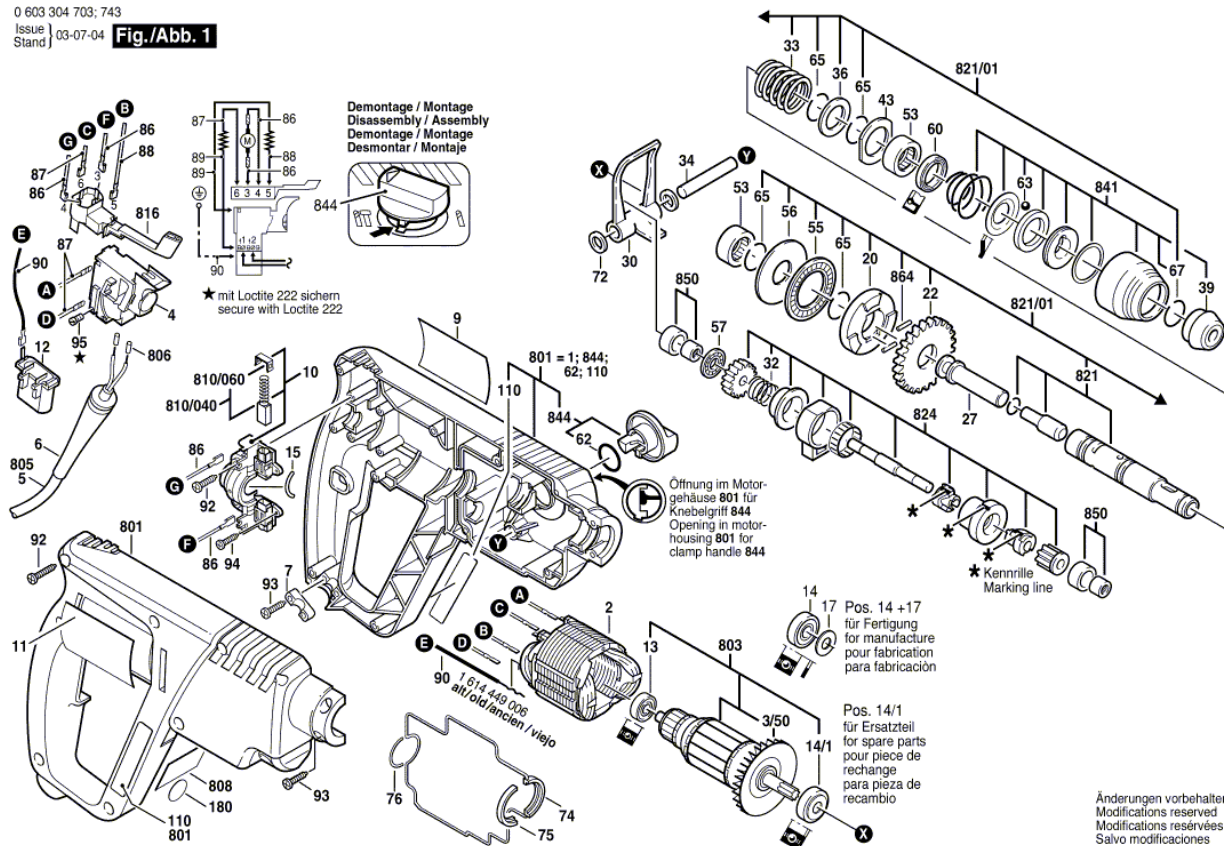
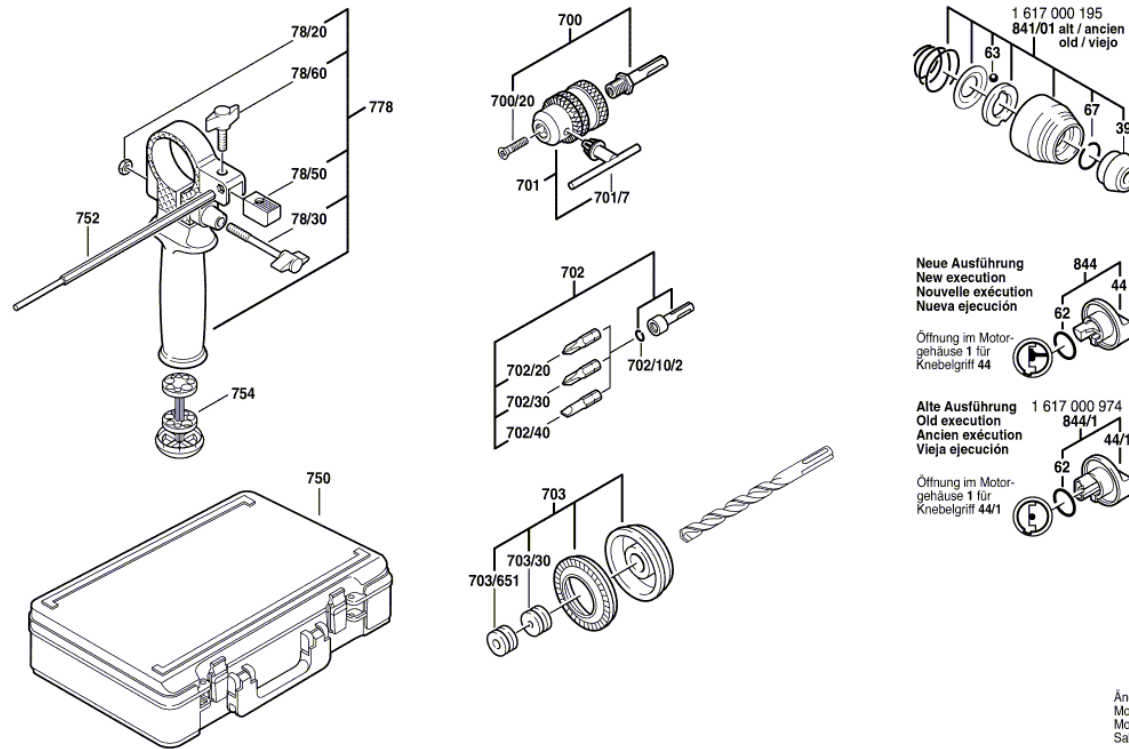


Illustration - Type - E

0 603 304 703; 743  
 Issue | 03-07-04  
 Stand | **Fig./Abb. 2**



Änderungen vorbehalten  
 Modifications reserved  
 Modifications réservées  
 Salvo modificaciones