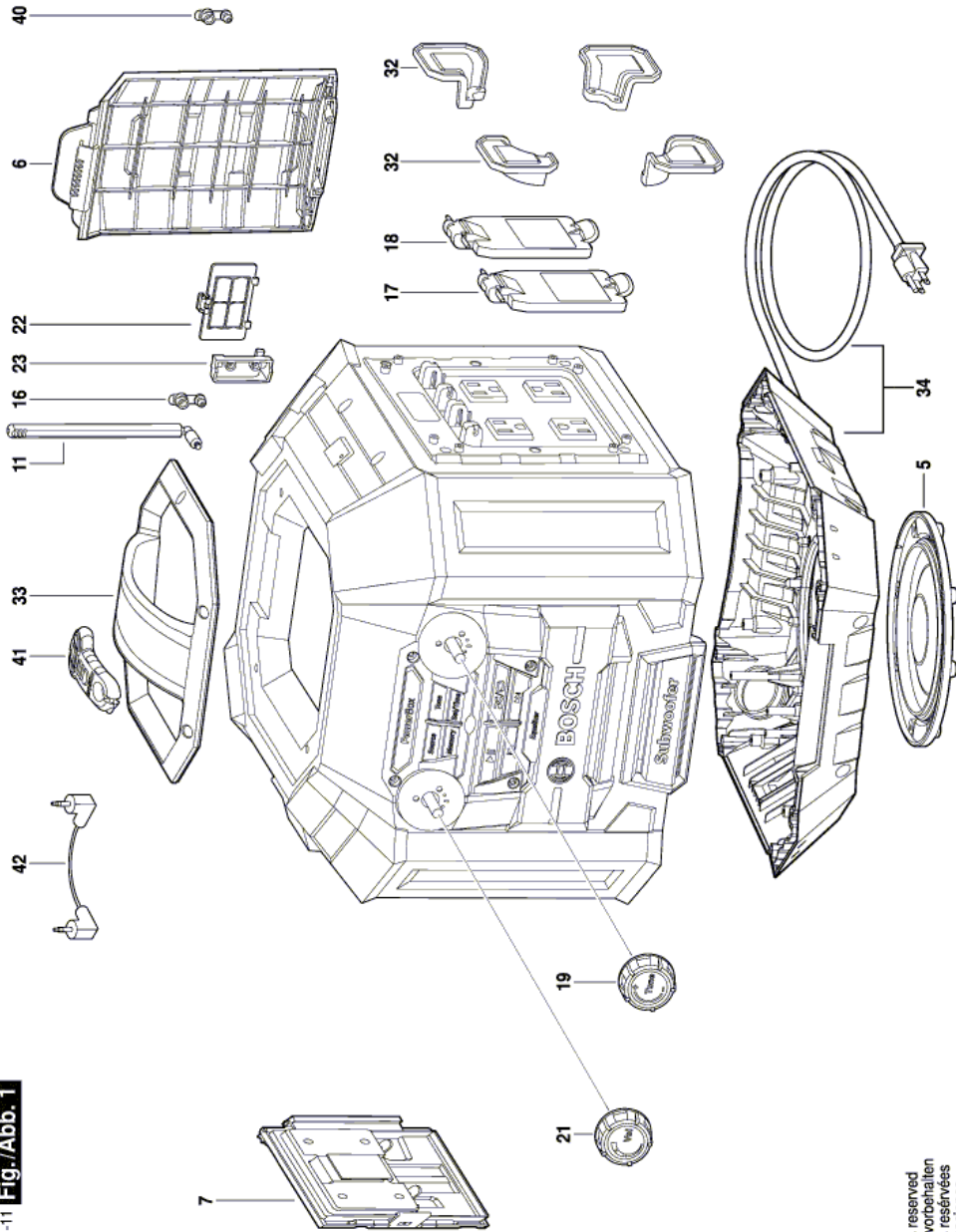


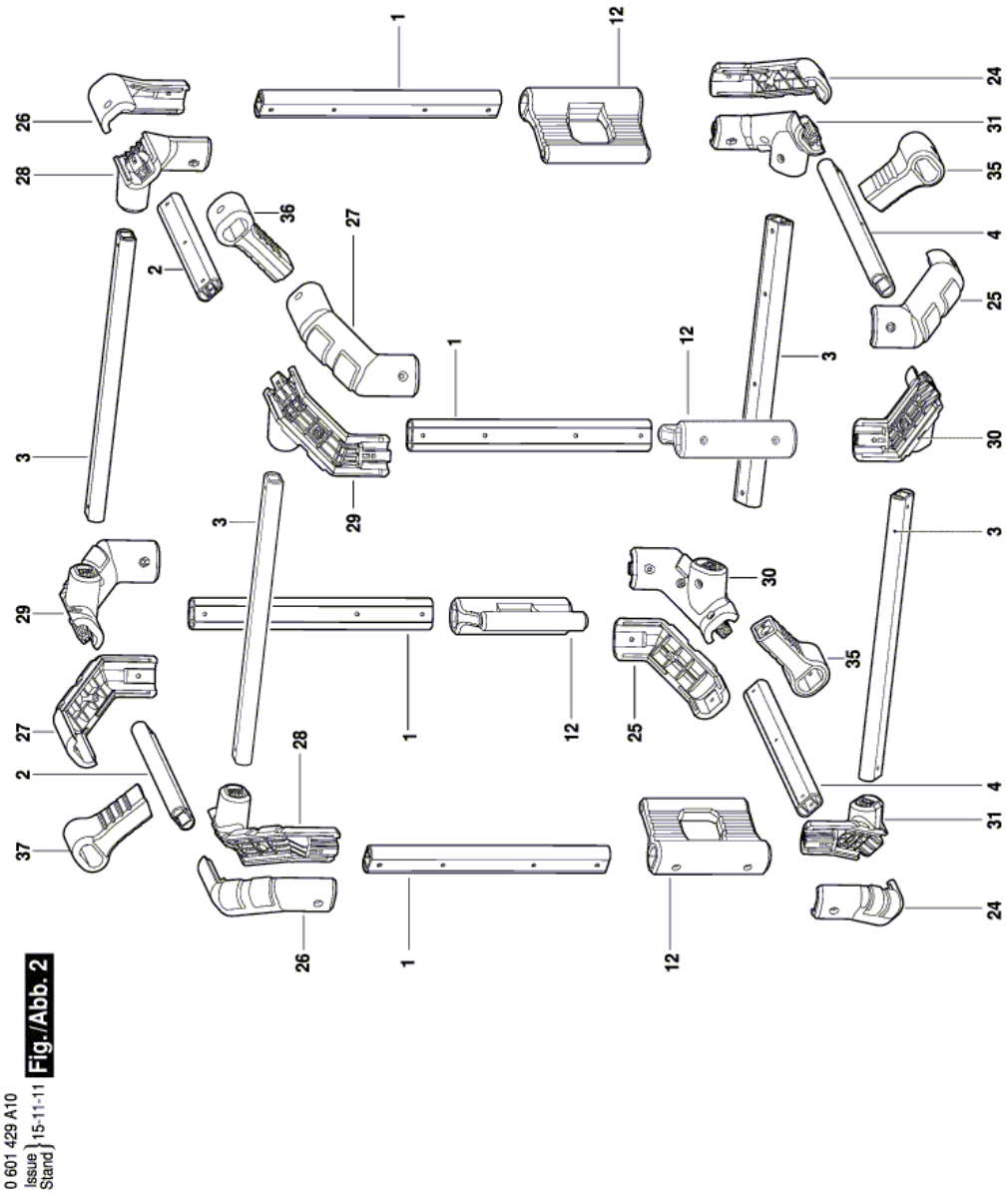
Illustration - Type E



0 601 429 A10
Issue } 15-11-11
Stand } **Fig./Abb. 1**

Modifications reserved
Änderungen vorbehalten
Modifications réservées
Salvo modificaciones

Illustration - Type E



Information subject to change without further notice.

. - 0 601 429 A10 - PB360C

www.powertools-aftersaleservice.com

**BOSCH**

| Item | Part Number | Description | Illustration | Price | Quantity | Price Group |
|------|---------------|-------------------|--------------|-------|----------|-------------|
| 1 | 2 610 008 308 | Aluminum Tubing | 2 | -,- | 4 | 18 |
| 2 | 2 610 008 309 | Aluminum Tubing | 2 | -,- | 2 | 16 |
| 3 | 2 610 008 310 | Aluminum Tubing | 2 | -,- | 4 | 19 |
| 4 | 2 610 008 311 | Aluminum Tubing | 2 | -,- | 2 | 18 |
| 5 | 2 610 008 312 | Protective Grille | 1 | -,- | 1 | 20 |
| 6 | 1 600 A00 FG6 | Cover Flap | 1 | -,- | 1 | - |
| 7 | 2 610 008 314 | Cover Flap | 1 | -,- | 1 | 22 |
| 11 | 2 610 008 316 | Radio Antenna | 1 | -,- | 1 | 21 |
| 12 | 2 610 008 317 | Damping rubber | 2 | -,- | 4 | 23 |
| 16 | 2 610 008 324 | Rubber Plug | 1 | -,- | 1 | 10 |
| 17 | 2 610 008 325 | Door Seal | 1 | -,- | 1 | - |
| 18 | 2 610 008 326 | Door Seal | 1 | -,- | 1 | - |
| 19 | 2 610 008 327 | Rotary Knob | 1 | -,- | 1 | 12 |
| 21 | 2 610 008 328 | Rotary Knob | 1 | -,- | 1 | 12 |
| 22 | 2 610 008 329 | Cover Flap | 1 | -,- | 1 | 11 |
| 23 | 2 610 008 330 | Holder | 1 | -,- | 1 | 10 |
| 24 | 2 610 008 331 | Corner Protection | 2 | -,- | 2 | 14 |
| 25 | 2 610 008 332 | Corner Protection | 2 | -,- | 2 | 14 |
| 26 | 2 610 008 333 | Corner Protection | 2 | -,- | 2 | 14 |
| 27 | 2 610 008 334 | Corner Protection | 2 | -,- | 2 | 14 |
| 28 | 2 610 008 335 | Corner Protection | 2 | -,- | 2 | 17 |
| 29 | 2 610 008 336 | Corner Protection | 2 | -,- | 2 | 17 |
| 30 | 2 610 008 337 | Corner Protection | 2 | -,- | 2 | 17 |
| 31 | 2 610 008 338 | Corner Protection | 2 | -,- | 2 | 17 |
| 32 | 2 610 008 339 | Cable Holder | 1 | -,- | 4 | 11 |
| 33 | 2 610 012 187 | Holding Handle | 1 | -,- | 1 | 23 |
| 34 | 2 610 008 353 | Housing Base | 1 | -,- | 1 | - |
| 35 | 2 610 008 361 | Damping rubber | 2 | -,- | 2 | 16 |
| 36 | 2 610 008 362 | Damping rubber | 2 | -,- | 1 | 17 |
| 37 | 2 610 008 363 | Damping rubber | 2 | -,- | 1 | 17 |
| 40 | 2 610 012 188 | Rubber Plug | 1 | -,- | 1 | 10 |
| 41 | 2 610 034 018 | Remote Control | 1 | -,- | 1 | 31 |
| 42 | 2 610 008 343 | Av-Cable | 1 | -,- | 1 | 16 |