

# **Tanaka** Illustrated Parts Manual

Model Number:

**PB-SM805S-GP**

**Electric PowerBoard**

P/N 31375

Rev 000

Date 10-24-02

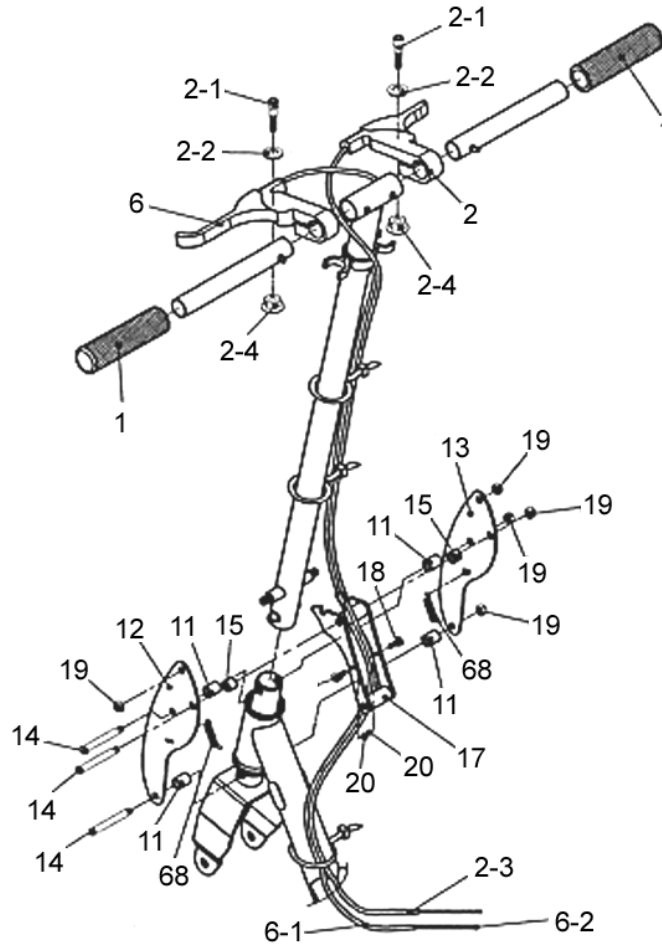


*Supplier To The Outdoor Power Equipment Industry*

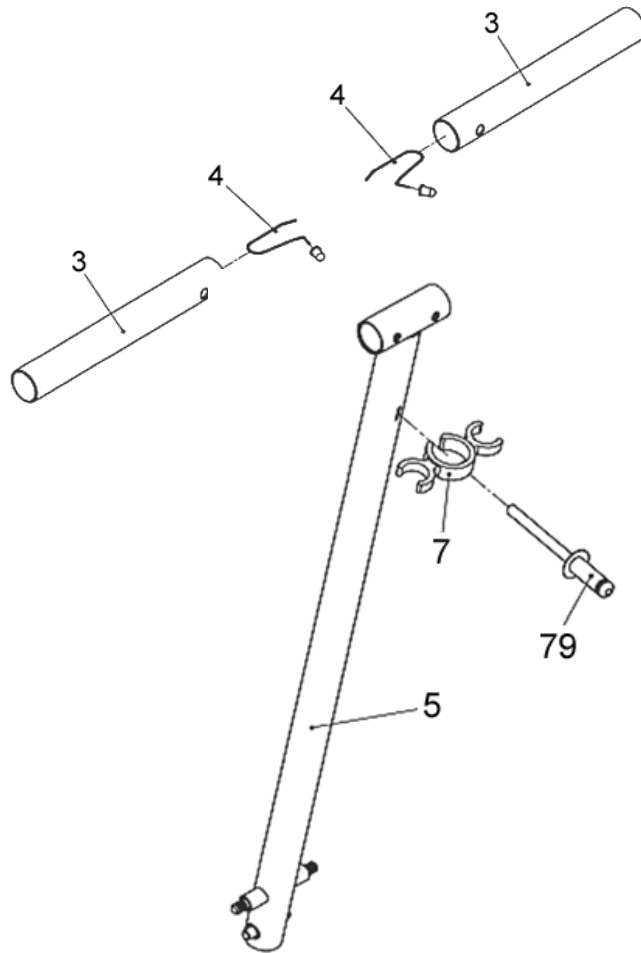
ISM, Inc. • 1028 4<sup>th</sup> Street SW • Auburn, WA 98001 • Phone: (253) 333-1200 • Fax: (253) 333-1212

[www.tanaka-usa.com](http://www.tanaka-usa.com)

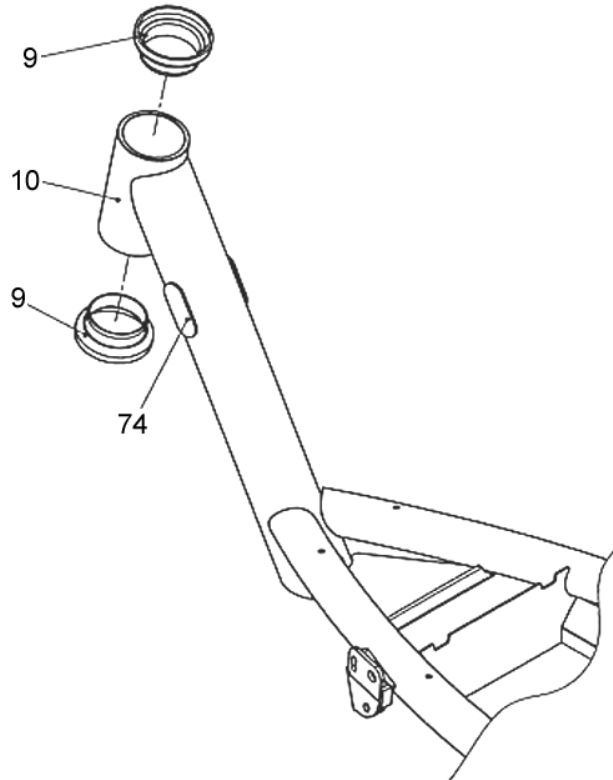
[custsvc@tanaka-ism.com](mailto:custsvc@tanaka-ism.com)



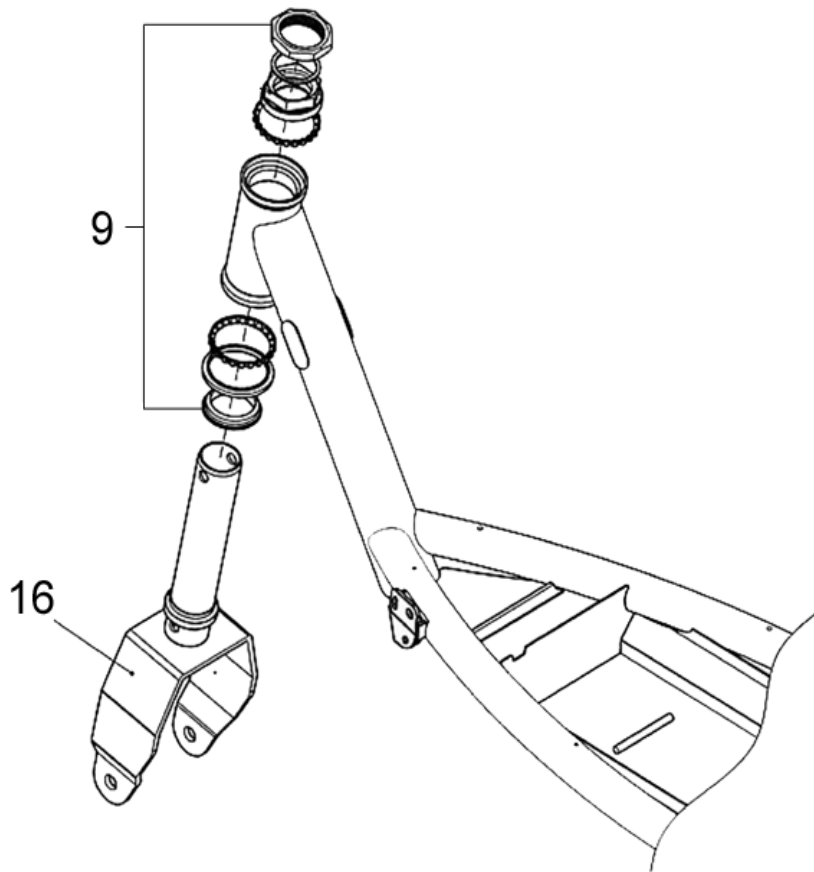
ITEM	PART NUMBER	DESCRIPTION	QTY	COMMENTS
1-1	30798	GRIP,HANDLE	2	
1-2	31348	LEVER,THROTTLE	1	
1-2-1	31302	BOLT,M6xP1.0x31	2	
1-2-2	31303	WASHER	2	
1-2-3	31304	CABLE,THROTTLE	1	
1-2-4	31305	NUT,M6	2	
1-6	31207	LEVER,BRAKE	1	
1-6-1	31306	SPACER,BRAKE CABLE	1	
1-6-2	31349	CABLE,BRAKE,LITE	1	
1-11	31208	SPACER,T-848	4	
1-12	31377	BRACE,HANDLE BAR,(L)	1	GRAPHITE
1-13	31378	BRACE,HANDLE BAR,(R)	1	GRAPHITE
1-14	31211	STUD,K-264	3	
1-15	31212	SPACER,T-849	2	
1-17	31307	HANDLE,FOLDING	1	
1-18	30810	BOLT,M5xP0.8x15	2	
1-19	30821	NUT,M8xP1.25	5	
1-20	30809	NUT,M5xP0.8	2	
1-68	31213	SPRING,S-064	2	



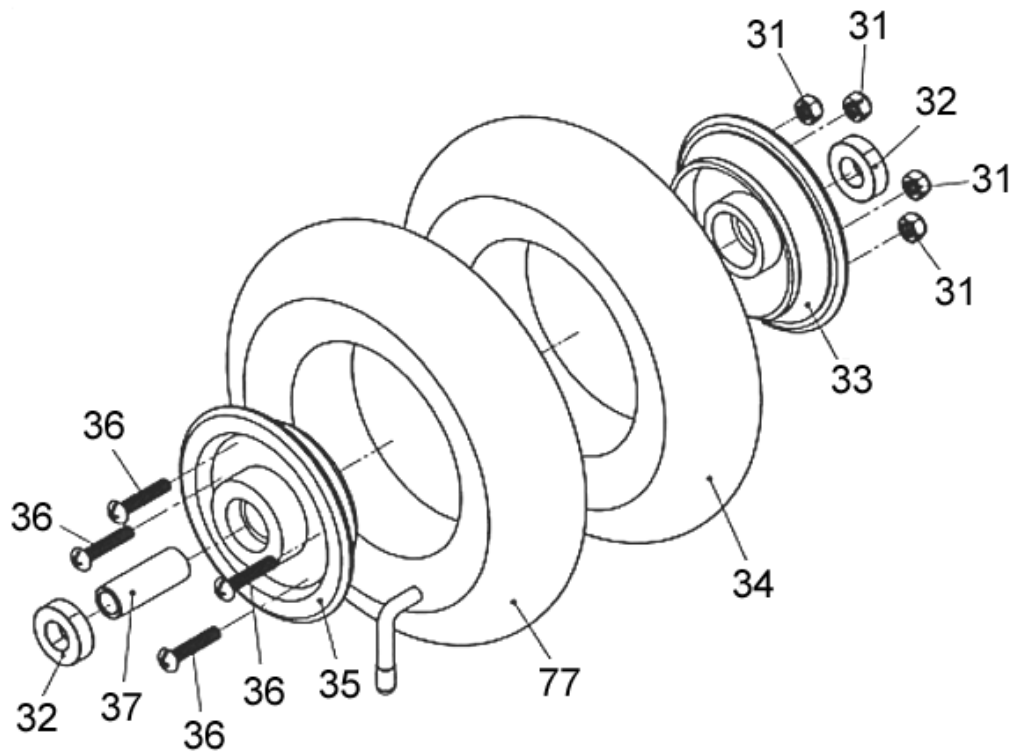
ITEM	PART NUMBER	DESCRIPTION	QTY	COMMENTS
2-3	31164	STEM,HANDLE BAR	2	
2-4	31165	PIN,HANDLE	2	
2-5	31160	HANDLE,STEM	1	
2-7	31161	HANDLE HOLDER	1	
2-79	31163	RIVET	1	



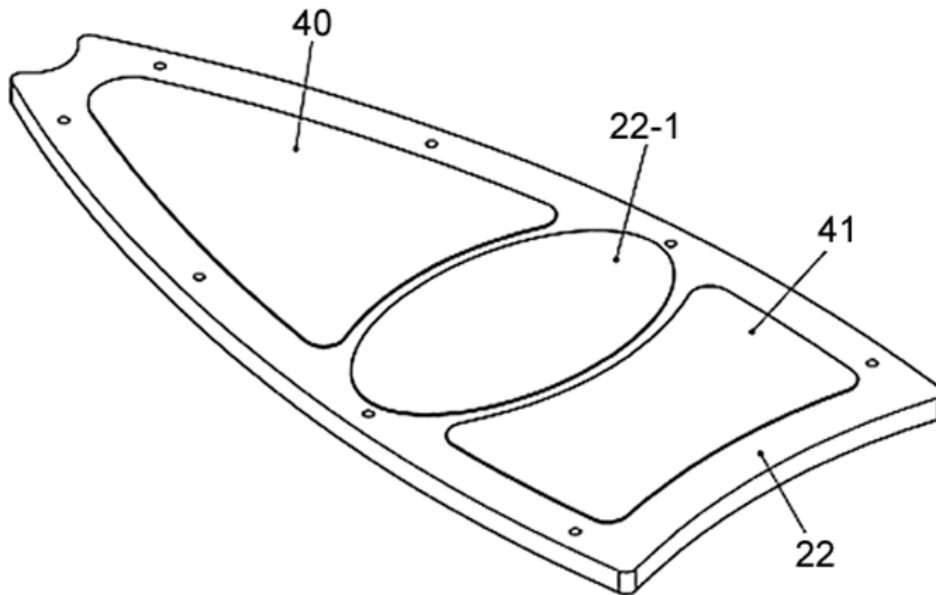
ITEM	PART NUMBER	DESCRIPTION	QTY	COMMENTS
3-9	31166	SPACER,FRONT HANDLE	2	
3-10	31167	FRAME,XTR LITE	1	
3-74	31168	PAD,RUBBER	2	



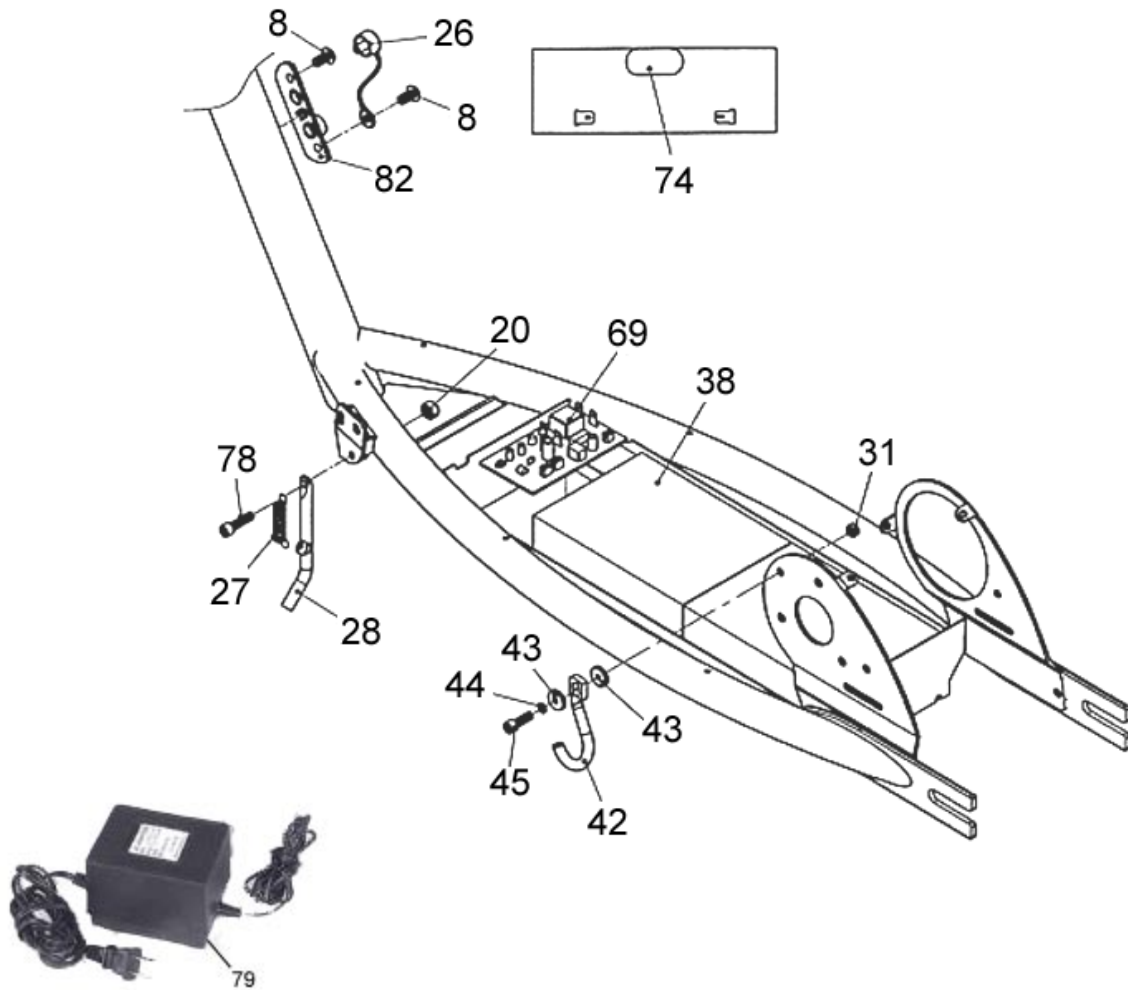
ITEM	PART NUMBER	DESCRIPTION	QTY	COMMENTS
4-1	31204	HEAD KIT	1	
4-16	31379	STEM,HANDLE BAR	1	GRAPHITE



ITEM	PART NUMBER	DESCRIPTION	QTY	COMMENTS
5-31	30936	NUT,M6xP1.0	4	
5-32	30834	BEARING,6000-2RS	2	
5-33	31187	HUB,FRONT,(R),LITE	1	
5-34	31170	TIRE,XTR-LITE	1	
5-35	31188	HUB,FRONT,(L),LITE	1	
5-36	31189	BOLT,M6xP1.0x29	4	
5-37	31190	SPACER,FRONT WHEEL,T-844	1	
5-77	31183	TUBE,TIRE	1	

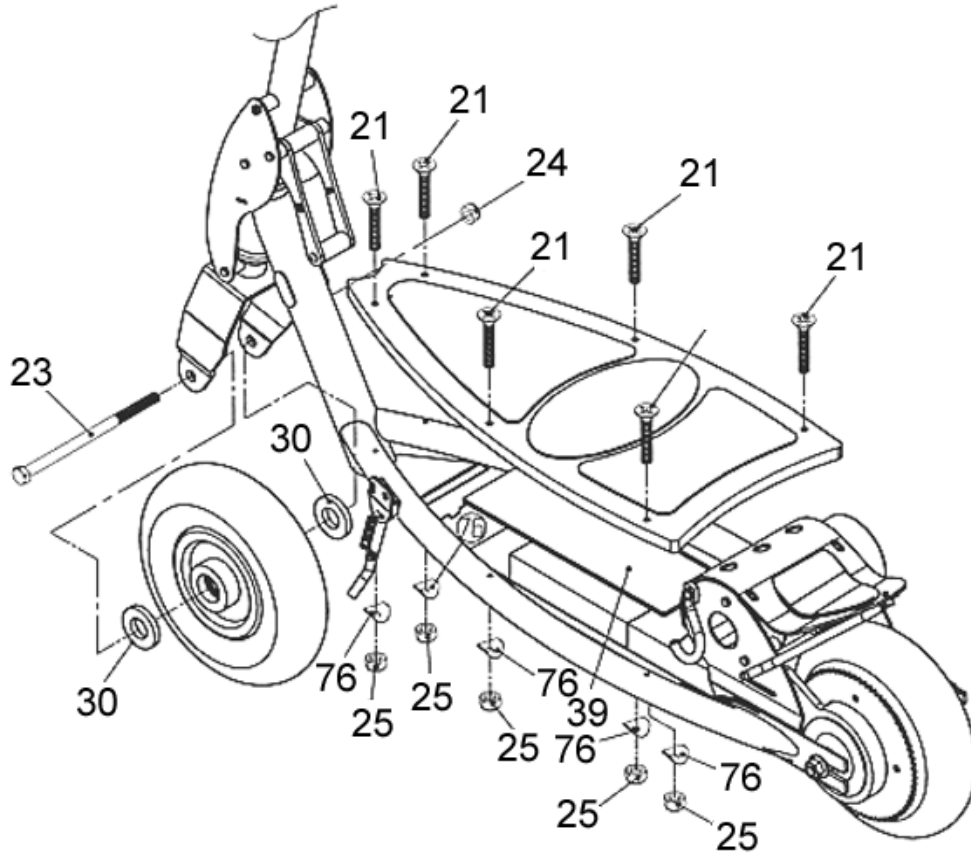


ITEM	PART NUMBER	DESCRIPTION	QTY	COMMENTS
6-22	31157	DECK,XTR LITE	1	
6-22-1	31308	DECAL,XTR-LITE	1	
6-40	31158	TAPE,DECK,LITE,FRONT	1	
6-41	31159	TAPE,DECK,LITE,BACK	1	

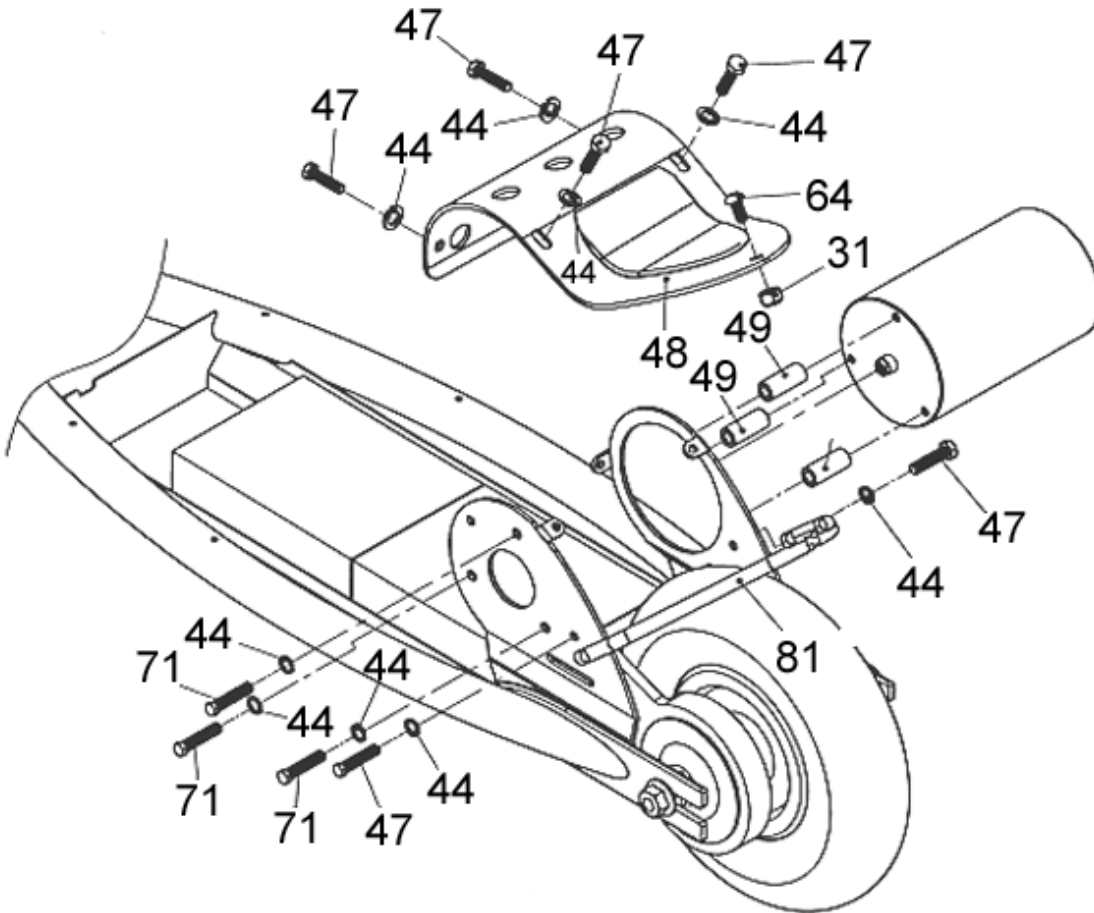


ITEM	PART NUMBER	DESCRIPTION	QTY	COMMENTS
7-8	31097	BOLT,M6xP1.0x10	2	
7-20	30809	NUT,M5xP0.8	1	
7-26	31191	COVER,CHARGER	1	
7-27	31192	SPRING,KICK STAND	1	
7-28	31193	KICK STAND	1	
7-31	30936	NUT,M6xP1.0	1	
7-38	31195	BATTERY SET,LITE	2	
7-42	31196	HOOK,T-862-A	1	
7-43	31197	WASHER	2	
7-44	30830	WASHER,SPRING M6	1	
7-45	31198	BOLT,M6xP1.0x20	1	
7-69	31350	CONTROLLER,805-S	1	
7-74	31376	PLATE,ROUND	1	
7-78	31309	BOLT,M5xP0.8x20	1	
7-79	31237	BATTERY CHARGER	1	
7-82	31310	CHARGING BASE	1	

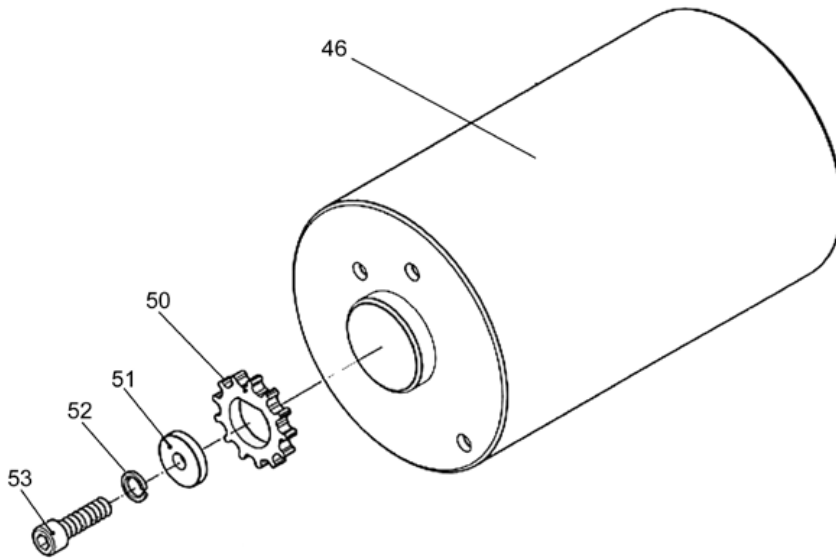




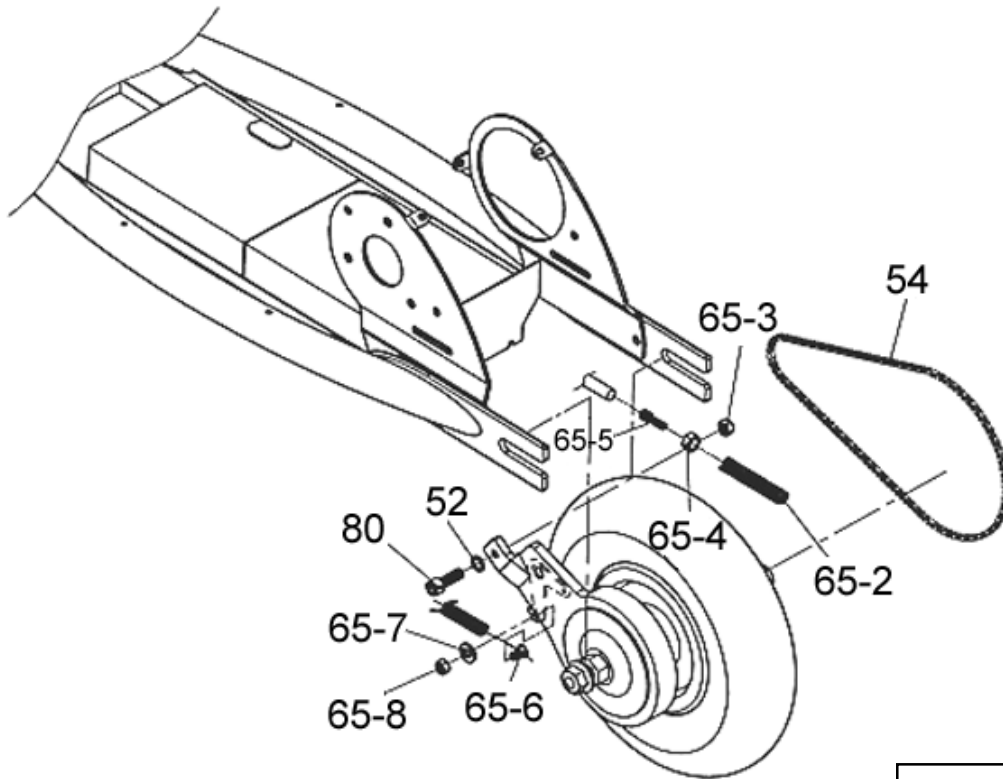
ITEM	PART NUMBER	DESCRIPTION	QTY	COMMENTS
8-21	31220	BOLT, M4xP0.7x45	6	
8-23	31221	BOLT, M10x1.5x90	1	
8-24	30880	NUT, M10xP1.5	1	
8-25	31222	NUT, M4xP0.7	6	
8-30	31223	WASHER	2	
8-39	31224	INSULATOR, BATTERY, LITE	1	
8-76	31225	WASHER	6	



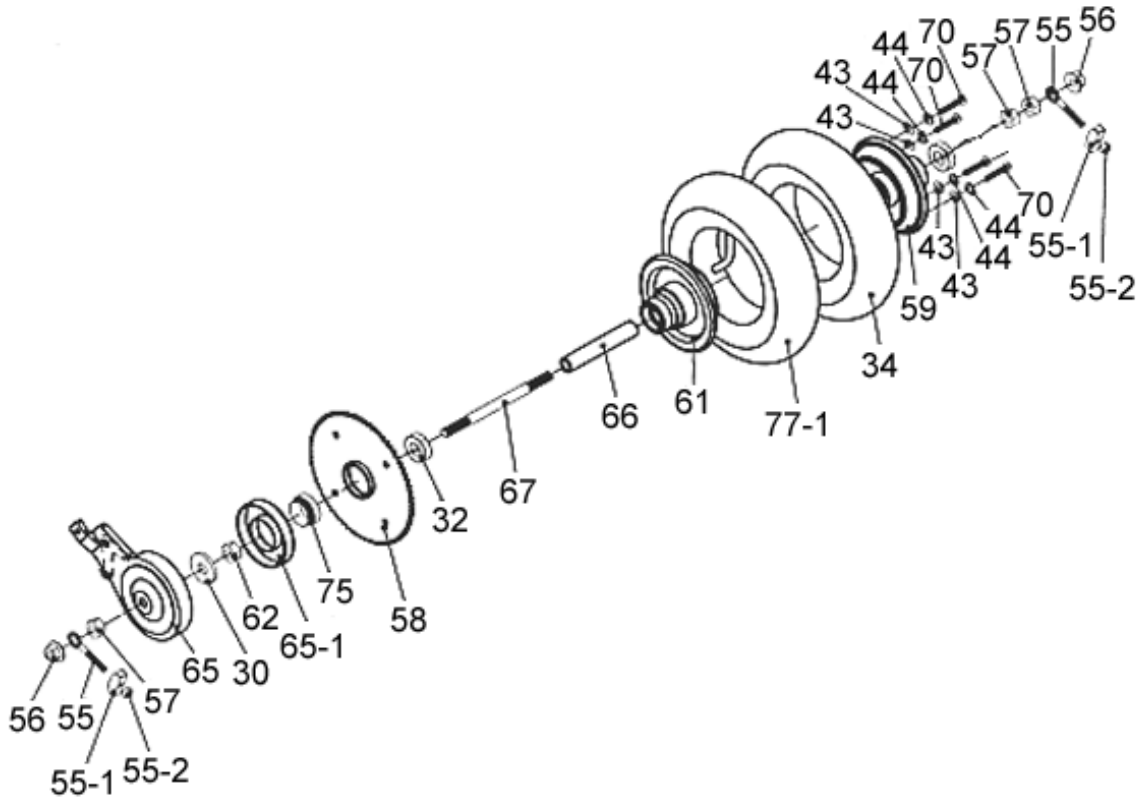
ITEM	PART NUMBER	DESCRIPTION	QTY	COMMENTS
9-31	30936	NUT, M6xP1.0	1	
9-44	30830	WASHER, SPRING M6	9	
9-47	31381	BOLT, HEX	6	
9-48	31311	FENDER	1	
9-49	31217	SPACER, T-952	3	
9-64	31132	BOLT, M6xP1.0x13	1	
9-71	31218	BOLT, M6xP1.0x50	3	
9-81	31219	BRACE, FENDER	1	



ITEM	PART NUMBER	DESCRIPTION	QTY	COMMENTS
10-46	31312	MOTOR,250W	1	
10-50	31368	GEAR,SMALL,805S	1	
10-51	31186	SPACER,T-842	1	
10-52	31121	WASHER,SPRING,M5	1	
10-53	30810	BOLT,M5xP0.8x15	1	



ITEM	PART NUMBER	DESCRIPTION	QTY	COMMENTS
11-52	31121	WASHER,SPRING,M5	1	
11-54	31214	CHAIN,XTR LITE	1	
11-65-2	31313	SPRING	1	
11-65-3	31314	NUT	1	
11-65-4	31315	NUT,ADJUST	1	
11-65-5	31321	SCREW,ADJUST	1	
11-65-6	31322	SCREW	1	
11-65-7	31323	WASHER	1	
11-65-8	31324	NUT	1	
11-80	31215	BOLT,M5xP0.8x16	1	



ITEM	PART NUMBER	DESCRIPTION	QTY	COMMENTS
12-30	31169	WASHER	1	
12-32	30834	BEARING,6000-2RS	2	
12-34	31170	TIRE,XTR-LITE	1	
12-43	31171	WASHER	4	
12-44	30830	WASHER,SPRING M6	4	
12-55	31096	SCREW,M6xP1.0x40	2	
12-55-1	31325	ADJUSTER	2	
12-55-2	30814	NUT,M6xP1.0	2	
12-56	31172	BOLT	2	
12-57	31173	BOLT	3	
12-58	31369	GEAR,BIG,805S	1	
12-59	31370	HUB,REAR,805S,(R)	1	
12-61	31371	HUB,REAR,805S,(L)	1	
12-62	31177	BOLT	1	
12-65	31178	DRUM,BRAKE	1	
2-65-1	31374	BRAKE DRUM	1	
12-66	31179	SPACER,T-846	1	
12-67	31373	AXLE,REAR WHEEL	1	
12-70	31372	BOLT,M6xP1.0x45	4	
12-75	31182	SPACER,T-913	1	
12-77-1	31183	TUBE,TIRE	1	