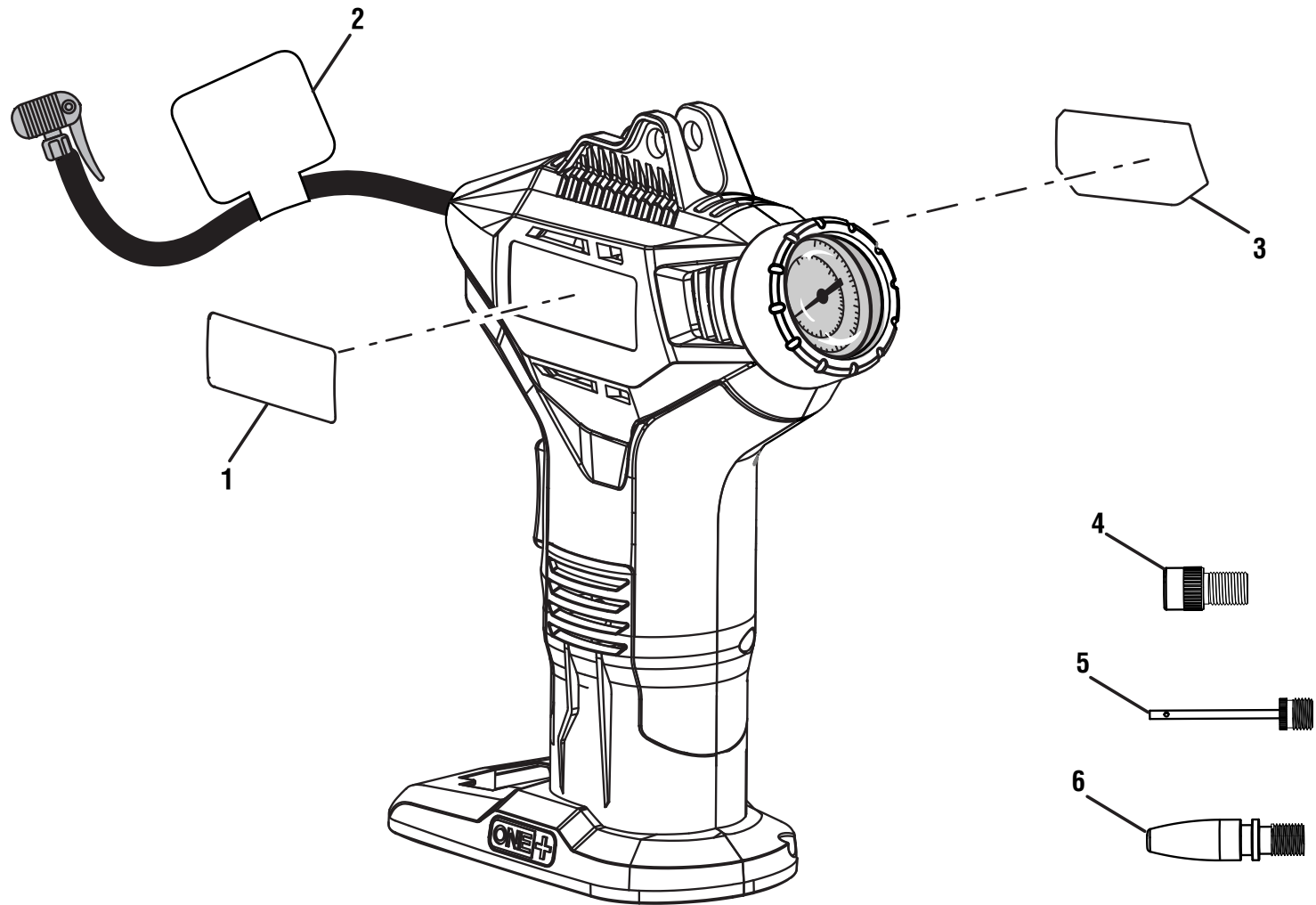


**RYOBI**  
**18 VOLT PISTOL GRIP INFLATOR**  
**MODEL NUMBER P737**  
**REPAIR SHEET**

**ONE WORLD TECHNOLOGIES, INC.**  
P.O. Box 1288, Anderson, SC 29622 • Phone 1-800-525-2579  
[www.ryobitools.com](http://www.ryobitools.com)

RYOBI 18 VOLT PISTOL GRIP INFLATOR – MODEL NUMBER P737



## RYOBI 18 VOLT PISTOL GRIP INFLATOR – MODEL NUMBER P737

The model number will be found on a label attached to the motor housing. Always mention the model number in all correspondence regarding your **18 VOLT PISTON GRIP INFLATOR** or when ordering parts.

### PARTS LIST

KEY NO.	PART NUMBER	DESCRIPTION	QTY
1	079077053901	Logo Label.....	1
2	079077053906	Hose Wrap Label .....	1
3	079077053902	Data Label.....	1
4	079042004036	Presta Valve Adapter .....	1
5	079042001044	Ball Needle.....	1
6	079042004035	Tapered Adapter .....	1
<b>Not Shown:</b>			
	987000432	18V Battery and Charger Correlation Sheet	
	991000623	Operator's Manual	
	2-15-19		
	(Rev:03)		

