

RYOBI 18 VOLT INFLATOR – MODEL NUMBER P730

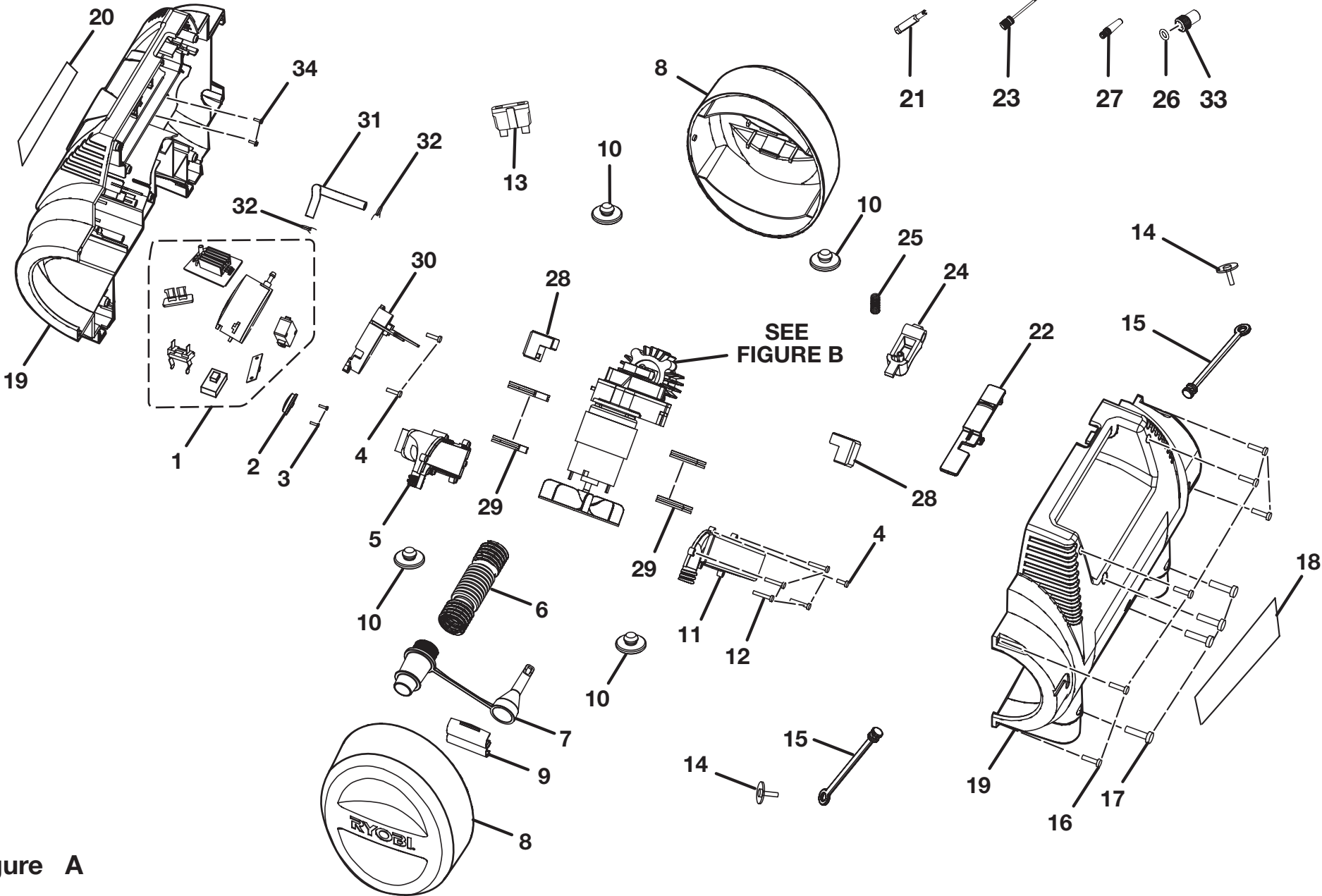


Figure A

RYOBI 18 VOLT INFLATOR – MODEL NUMBER P730

The model number will be found on a plate attached to the motor housing. Always mention the model number in all correspondence regarding your **INFLATOR** or when ordering repair parts.

PARTS LIST (FIGURE A)

KEY NO.	PART NUMBER	DESCRIPTION	QTY	KEY NO.	PART NUMBER	DESCRIPTION	QTY
1	200467001	WIRING HARNESS ASSEMBLY	1	20	940015119	LOGO LABEL.....	1
2	342210001	OFF BUTTON	1	21	671891001	SCHRADER VALVE CORE REMOVAL.....	1
3	660252001	SCREW (M2 X 10 mm PAN HD.)	2	22	514194001	LOCK-ON ACTUATOR	1
4	660203003	SCREW (M3 X 12 mm PAN HD.)	3	23	671792001	SPORTS NEEDLE.....	1
5	514195001	BLOWER HOUSING SUPPORT	1	24	514197001	TRIGGER (ON/OFF)	1
6	570082001	CORRUGATED HOSE	1	25	690618001	COMPRESSION SPRING	1
7	514212001	HOSE NOZZLE.....	1	26	570659001	PRESTA VALVE ADAPTER O RING (4 mm X 8 mm)	1
8	514201001	SIDE COVER.....	2	27	513420001	TAPERED ADAPTOR	1
9	513623001	ADAPTOR STORAGE AREA.....	1	28	570647001	MOTOR SUPPORT.....	2
10	514208001	RUBBER FOOT	4	29	570654001	MOTOR VIBRATION RELIEF RING.....	4
11	514196001	BLOWER HOUSING COVER.....	1	30	514193001	DIGITAL PRESSURE GAUGE BRACKET	1
12	6620311	SCREW (M3 X 20 mm)	4	31	570648001	PRESSURE SENSOR HOSE	1
13	870233001	FUSE.....	1	32	672430001	HOSE CLAMP RING.....	2
14	660028001	SCREW (M3 X 14 mm WASHER HD.)	2	33	200449001	PRESTA VALVE ADAPTOR WITH O-RING (INC. KEY NO. 26)	1
15	570655001	STRAP	2	34	660200002	SCREW (M2.3 X 6 mm WASHER HD.)	2
16	660206042	SCREW (M3.5 X 16 mm)	6		983000952	OPERATOR'S MANUAL (960001237)	
17	6620805	SCREW (M4 X 16 mm)	4		1-12-10		
18	941049001	DATA LABEL	1		(REV:03)		
19	200202433	HOUSING ASSEMBLY	1				

RYOBI 18 VOLT INFLATOR – MODEL NUMBER P730

The model number will be found on a plate attached to the motor housing. Always mention the model number in all correspondence regarding your **INFLATOR** or when ordering repair parts.

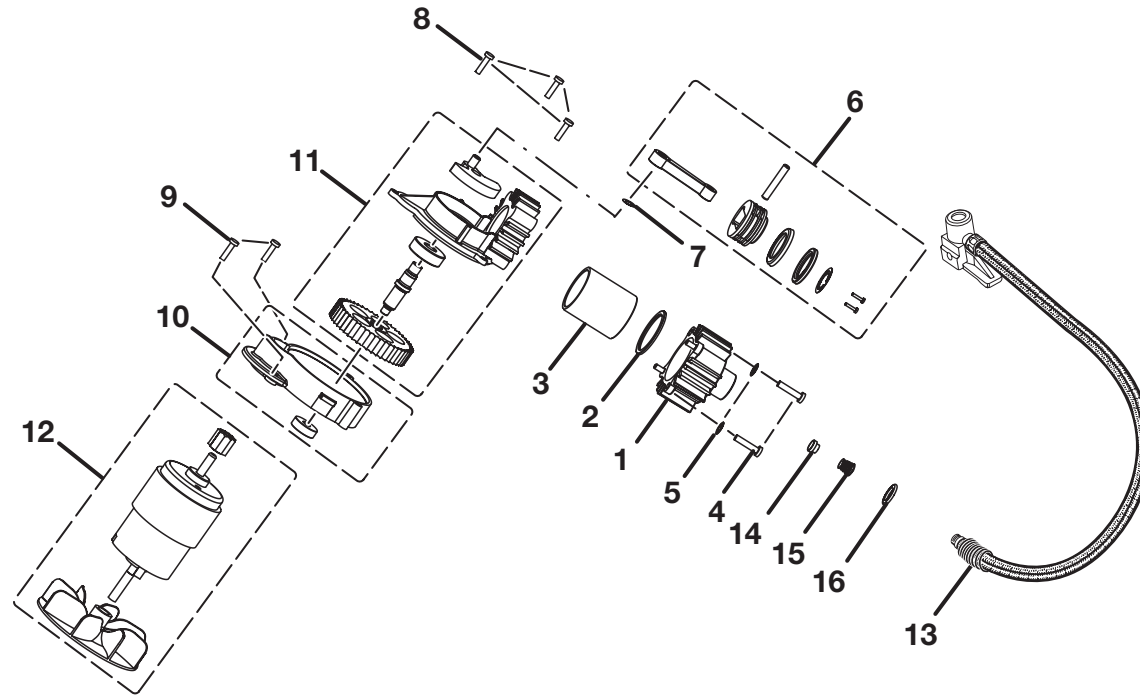


Figure B

PARTS LIST (FIGURE B)

KEY NO.	PART NUMBER	DESCRIPTION	QTY	KEY NO.	PART NUMBER	DESCRIPTION	QTY
1	641153001	COMPRESSOR COVER.....	1	10	301236002	GEAR CASE COVER ASSEMBLY WITH BEARINGS	1
2	570652001	RUBBER COMPRESSOR WASHER	1	11	300003087	GEAR SHAFT ASSEMBLY	1
3	672096001	CYLINDER.....	1	12	230144001	MOTOR ASSEMBLY	1
4	660212018	SCREW (M4 X 16 mm PAN HD.).....	2	13	302850001	HIGH PRESSURE HOSE ASSEMBLY	1
5	6703001	SPRING WASHER.....	2	14	570623001	VALVE.....	1
6	301308002	PISTON WITH ROD ASSEMBLY	1	15	672095001	COMPRESSION SPRING.....	1
7	670914001	WASHER	1	16	570660001	WASHER	1
8	660211016	SCREW (M3 X 12 mm PAN HD.).....	3				
9	6621202	SCREW (M4 X 10 mm PAN HD.).....	2				