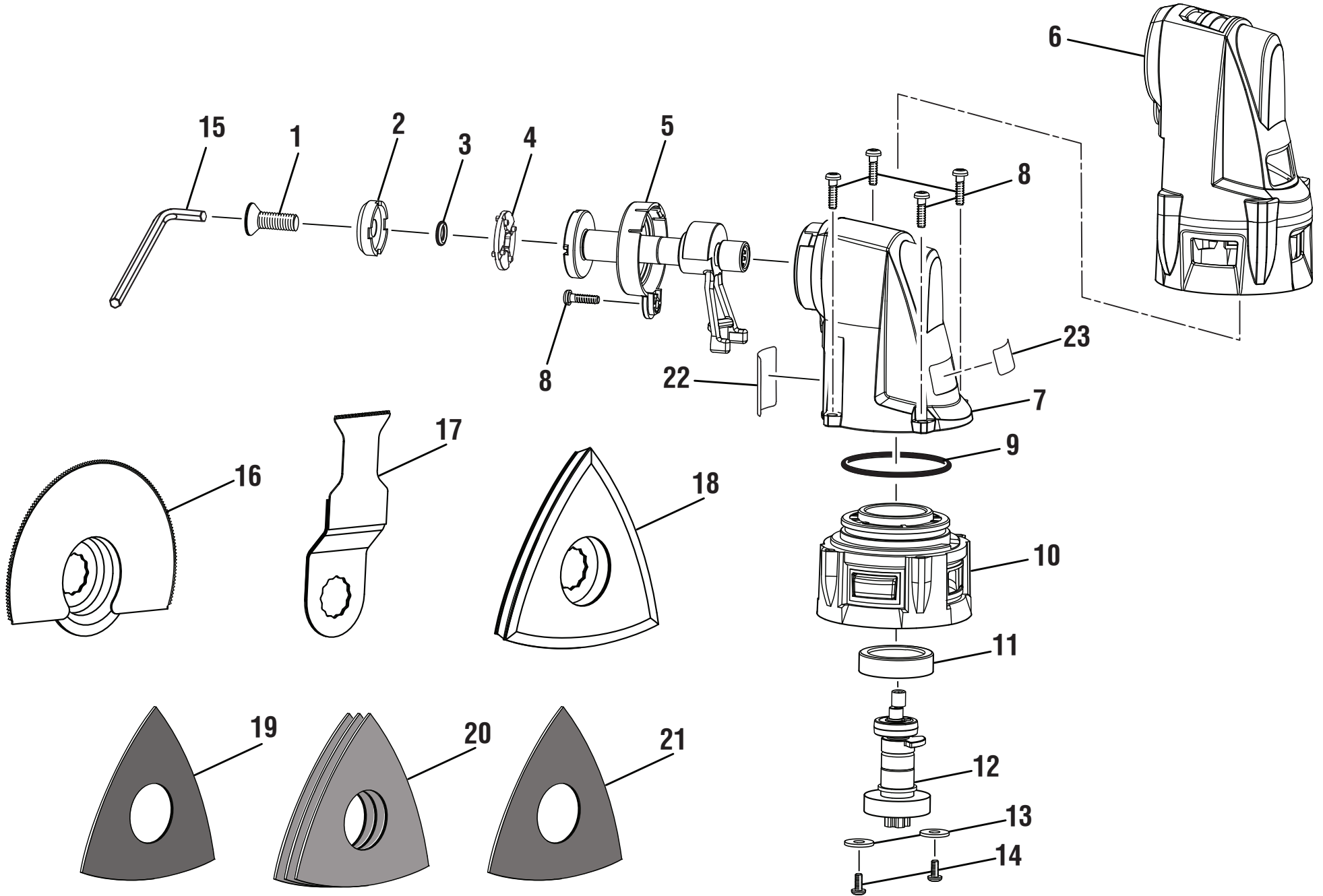


RYOBI MULTI-TOOL HEAD-MODEL NUMBER P570



RYOBI MULTI-TOOL HEAD-MODEL NUMBER P570

The model number will be found on a label attached to the motor housing. Always mention the model number in all correspondence regarding your **MULTI-TOOL HEAD** or when ordering repair parts.

KEY	P/N	DESCRIPTION	QTY
1	661379002	Screw (M6 x 18 mm, Flat Hd. w/Recessed Socket)	1
2	692512002	Sleeve	1
3	560324002	O-Ring.....	1
4	692496002	Adaptor	1
5	303626003	Output Shaft Assembly.....	1
6	562806001	Rubber Boot	1
7	303628001	Front Head Housing Assembly	1
8	661414001	Screw (M3 x 11 mm, T10 Torx Pan Hd.).....	5
9	562404001	O-Ring.....	1
10	641633003	Rear Head Housing.....	1
11	562409002	Rubber Bearing Seat	1
12	303627001	Spline Shaft Assembly.....	1
13	633105002	Washer (10.6 mm x 2.7 mm x 1.5 mm).....	2
14	661205001	Screw (M2.6 x 6 mm, T8 Torx Pan Hd.).....	2
15	6800201	Hex Key (5 mm)	1
16	681457005	Segment Saw Blade	1
17	681458008	Universal Blade.....	1
18	303590006	Detail Sanding Backing Pad	1
19	902423001	60 Grit Sanding Sheet.....	1
20	902460001	80 Grit Sanding Sheet.....	3
21	902424001	120 Grit Sanding Sheet.....	1
22	940488316	Data Label.....	1
23	940221159	Warning Label	1
	NOT SHOWN		
	988000600	Operator's Manual	1
	7-28-11 (REV:02)		