

RYOBI
7-1/4 in. 18 Volt
Compound Miter Saw
Item No. P553
Repair sheet

One World Technologies, Inc.

P.O. Box 1288 Anderson, SC 29622 USA

1-800-525-2579

www.ryobitools.com

RYOBI 7-1/4 in. 18 VOLT COMPOUND MITER SAW – MODEL NO. P553

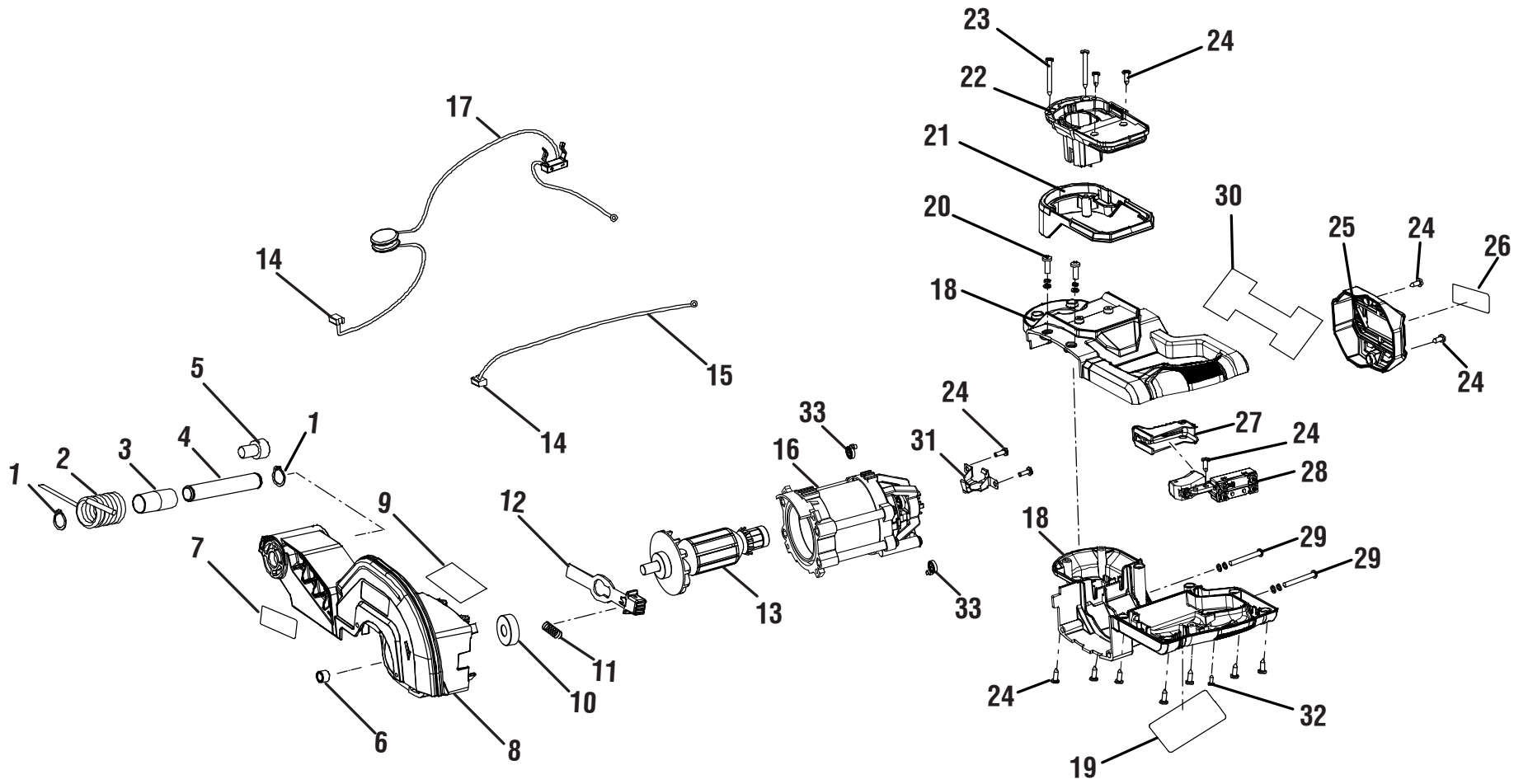


FIGURE A

RYOBI 7-1/4 in. 18 VOLT COMPOUND MITER SAW – MODEL NO. P553

The model number will be found on a label attached to the motor housing. Always mention the model number in all correspondence regarding your 7-1/4 in. **COMPOUND MITER SAW** or when ordering parts.

PARTS LIST FOR FIGURE A

KEY NO.	PART NUMBER	DESCRIPTION	QTY	KEY NO.	PART NUMBER	DESCRIPTION	QTY
1	089240011011	Spindle Clip	2	17	089240026041	Wire Harness (A) (Inc. Key No. 14).....	1
2	089240026018	Torsion Spring.....	1	18	089240026704	Handle Assembly (Inc. Key Nos. 19 & 30) ...	1
3	089240011010	Shaft Sleeve.....	1	19	089240026901	Data Label.....	1
4	089240027022	Pivot Shaft	1	20	089240026043	Screw (M5 x 10 mm).....	2
5	089240011017	Screw (M8 x 12 mm, Pan Hd.).....	1	21	089240026044	Battery Base Housing.....	1
6	089240011075	Oil Bearing (13 x 9 x 10).....	1	22	532050002	Battery Foot.....	1
7	089240011904	Upper Guard Logo Label.....	1	23	089240026046	Screw (M4.2 x 45 mm).....	2
8	089240026705	Upper Blade Guard Assembly (Inc. Key Nos. 6-7 & 9).....	1	24	089240011068	Screw (M4.2 x 13 mm).....	14
9	089240026902	Warning Label	1	25	089240026048	Motor Cap.....	1
10	089240027045	Bearing (6201-2RS)	1	26	089240027905	Endcap Logo Label.....	1
11	089240011066	Compression Spring.....	1	27	089240026703	Trigger Assembly	1
12	089240026706	Spindle Lock Assembly	1	28	089240026051	Switch	1
13	089240026707	Armature Assembly (Inc. Key Nos. 14-15)...	1	29	089240011038	Screw (M5 x 35 mm).....	2
14	089240026037	Brush	2	30	089240026903	Warning Hang Tag Label.....	1
15	089240026109	Wire Harness (B) (Inc. Key No. 14).....	1	31	089240026056	NTC Bracket	1
16	089240026708	Field Assembly (Inc. Key Nos. 14, 31 & 33)	1	32	089240026111	Screw (M2.9 x 14 mm).....	1
				33	089240026040	Brush Spring.....	2

RYOBI 7-1/4 in. 18 VOLT COMPOUND MITER SAW – MODEL NO. P553

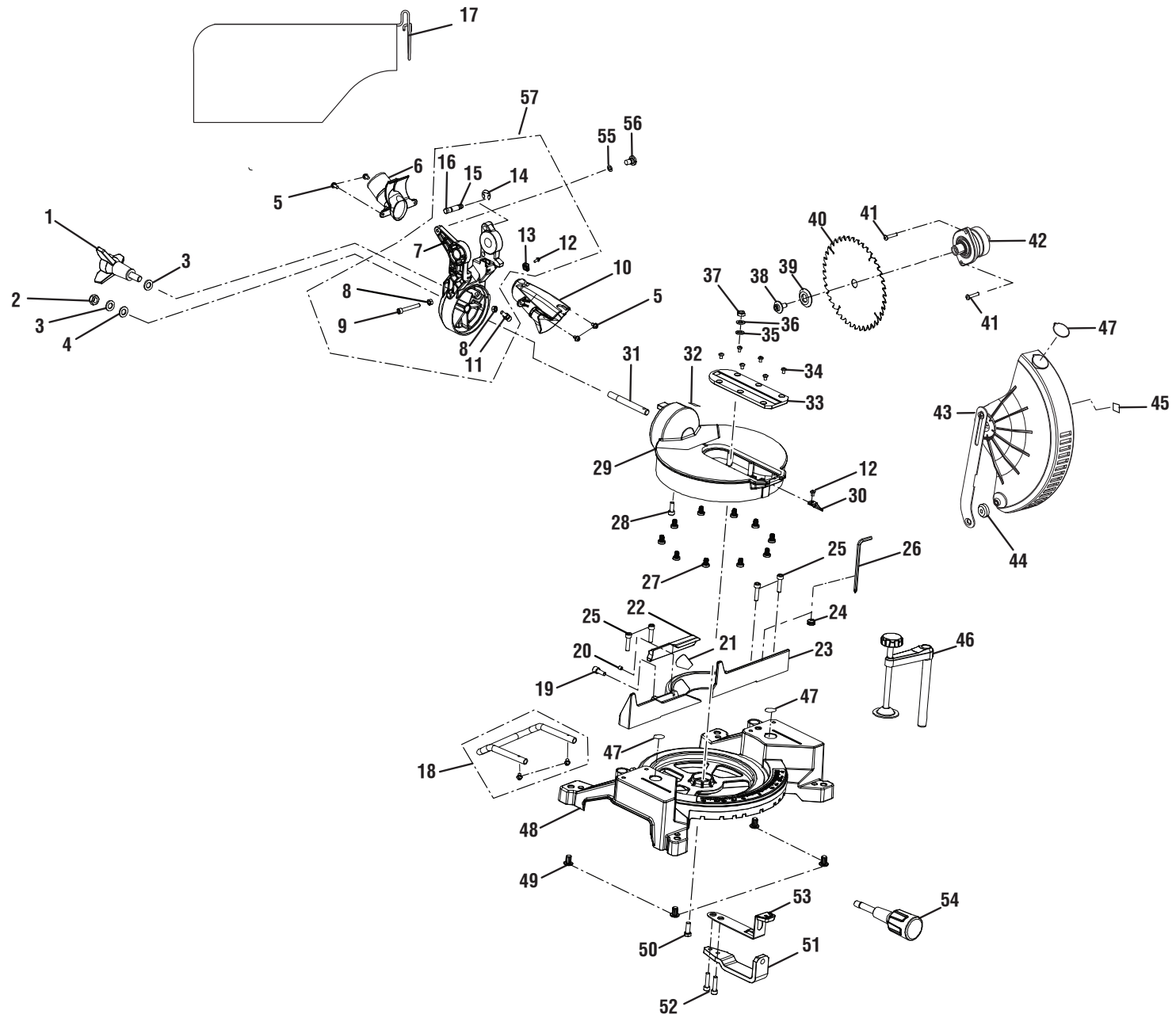


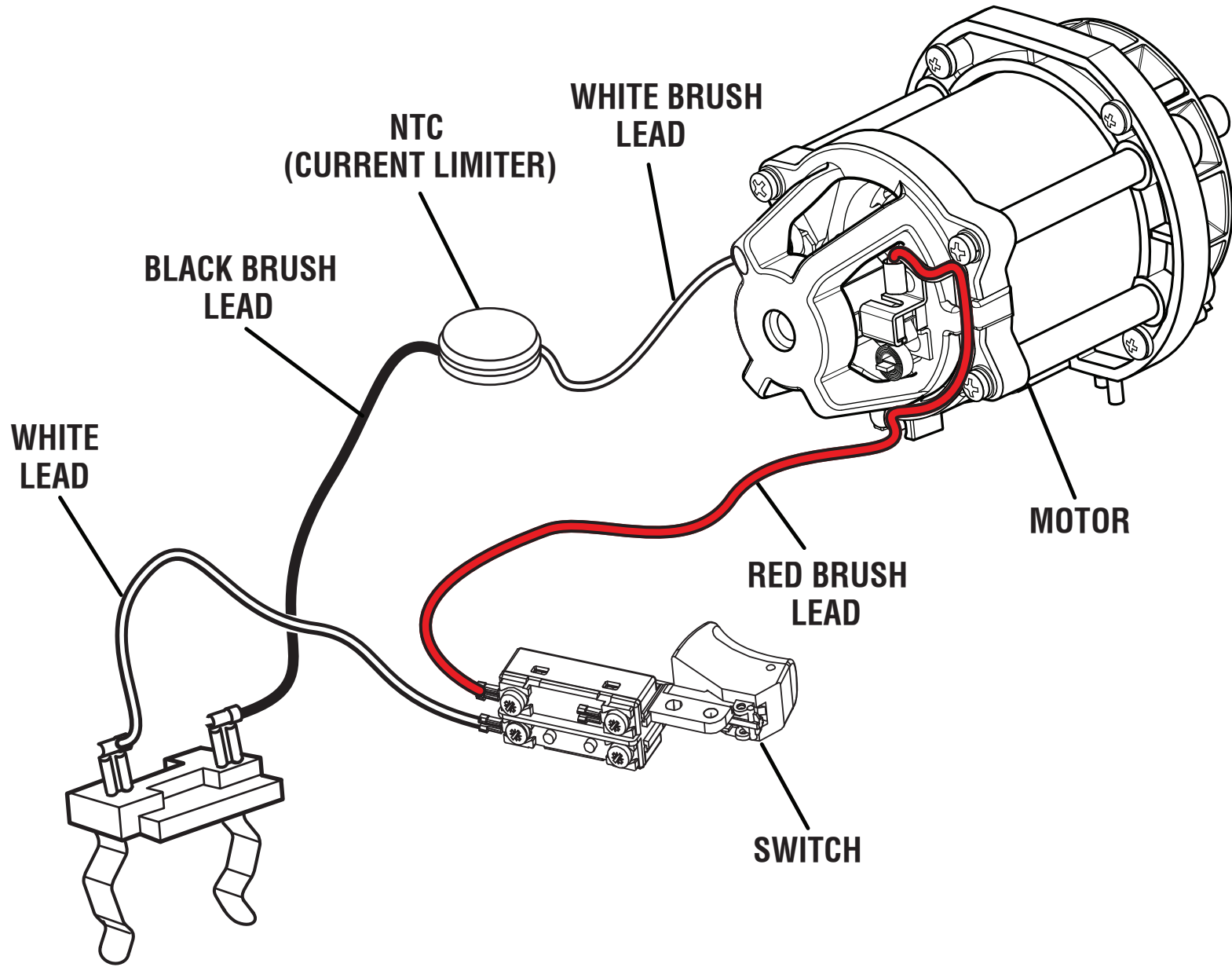
FIGURE B

RYOBI 7-1/4 in. 18 VOLT COMPOUND MITER SAW – MODEL NO. P553

The model number will be found on a label attached to the motor housing. Always mention the model number in all correspondence regarding your **7-1/4 in. COMPOUND MITER SAW** or when ordering parts.

PARTS LIST FOR FIGURE B

KEY NO.	PART NUMBER	DESCRIPTION	QTY	KEY NO.	PART NUMBER	DESCRIPTION	QTY
1	089240026711	Bevel Lock Knob w/Washer	1	33	089240027096	Throat Plate	1
2	089240011097	Lock Nut (M10)	1	34	089240011120	Screw (M4 x 8 mm)	6
3	089240011095	Washer (OD20 x ID10.5 mm x 2t)	2	35	089240011117	Washer (OD22 x ID8 mm x 3t)	1
4	089240011096	Washer (OD18.8 x ID10 mm x 1t)	1	36	089240011116	Washer (OD16 x ID8 mm x 1.6t)	1
5	089240027005	Screw (M4 x 12 mm)	4	37	089240011115	Lock Nut (M8)	1
6	089240027006	Dust Chute Outlet	1	38	089240034007	Blade Screw (M8 x 16 mm)	1
7	089240027007	Bevel Knuckle	1	39	089240011086	Blade Washer	1
8	089240011093	Nut w/Washer (M6)	2	40	089240027076	Blade (24t)	1
9	089240027009	Screw (M6 x 35 mm)	1	41	089240011080	Screw (M5 x 16 mm)	2
10	089240027010	Dust Chute Intlet	1	42	089240026709	Output Spindle Assembly	1
11	089240011110	Screw (M6 x 20 mm)	1	43	089240027716	Lower Blade Guard Assembly (Inc. Key Nos. 44-45 & 47)	1
12	089240011130	Screw (M4 x 8 mm)	2	44	089240011026	Lower Guard Wheel	1
13	089240011109	Bevel Indicator	1	45	089240027903	Blade Screw Direction Label	1
14	089240027002	Clip (Ø5)	1	46	089240027717	Work Clamp Assembly	1
15	089240011014	Head Lock Pin	1	47	089240034910	No Hands Label	3
16	089240011015	O-ring (4.5 x 1.8)	1	48	089240027713	Base Assembly (Inc. Key No. 47)	1
17	089240027702	Dust Bag Assembly	1	49	089240011140	Rubber Feet	4
18	089240026710	Rear Support Bracket Assembly	1	50	089240011139	Screw (M8 x 25 mm)	1
19	089240027110	Fence Lock Screw	1	51	089240027115	Miter Support Arm	1
20	089240027109	Screw (M6 x 10 mm)	1	52	089240011088	Screw (M6 x 25 mm)	2
21	089240027906	Sliding Fence Warning Label	1	53	089240027712	Miter Detent Spring Assembly	1
22	089240027107	Sliding Fence	1	54	089240027711	Miter Lock Handle Assembly	1
23	089240027715	Miter Fence (Inc. Key No. 21)	1	55	089240011008	Spring Washer	1
24	089240011091	Spanner Holder	1	56	089240011029	Plate Screw	1
25	089240011088	Screw (M6 x 25 mm)	4	57	089240027701	Bevel Arm Assembly (Inc. Key Nos. 7-9 & 11-16)	1
26	089240011090	Hex Key Wrench	1		NOT SHOWN:		
27	089240011141	Rubber Feet	10		995000704	Operator's Manual (089240026905)	
28	089240011113	Screw (M6 x 16 mm)	1		1-29-19		
29	089240027710	Miter Table Assembly (Inc. Key No. 32)	1		(Rev:02)		
30	089240027099	Miter Indicator	1				
31	089240011111	Shaft	1				
32	089240011902	Bevel Scale Label	1				



WIRING DIAGRAM