

RYOBI 7-1/4 in. COMPOUND MITER SAW – MODEL NUMBER P551

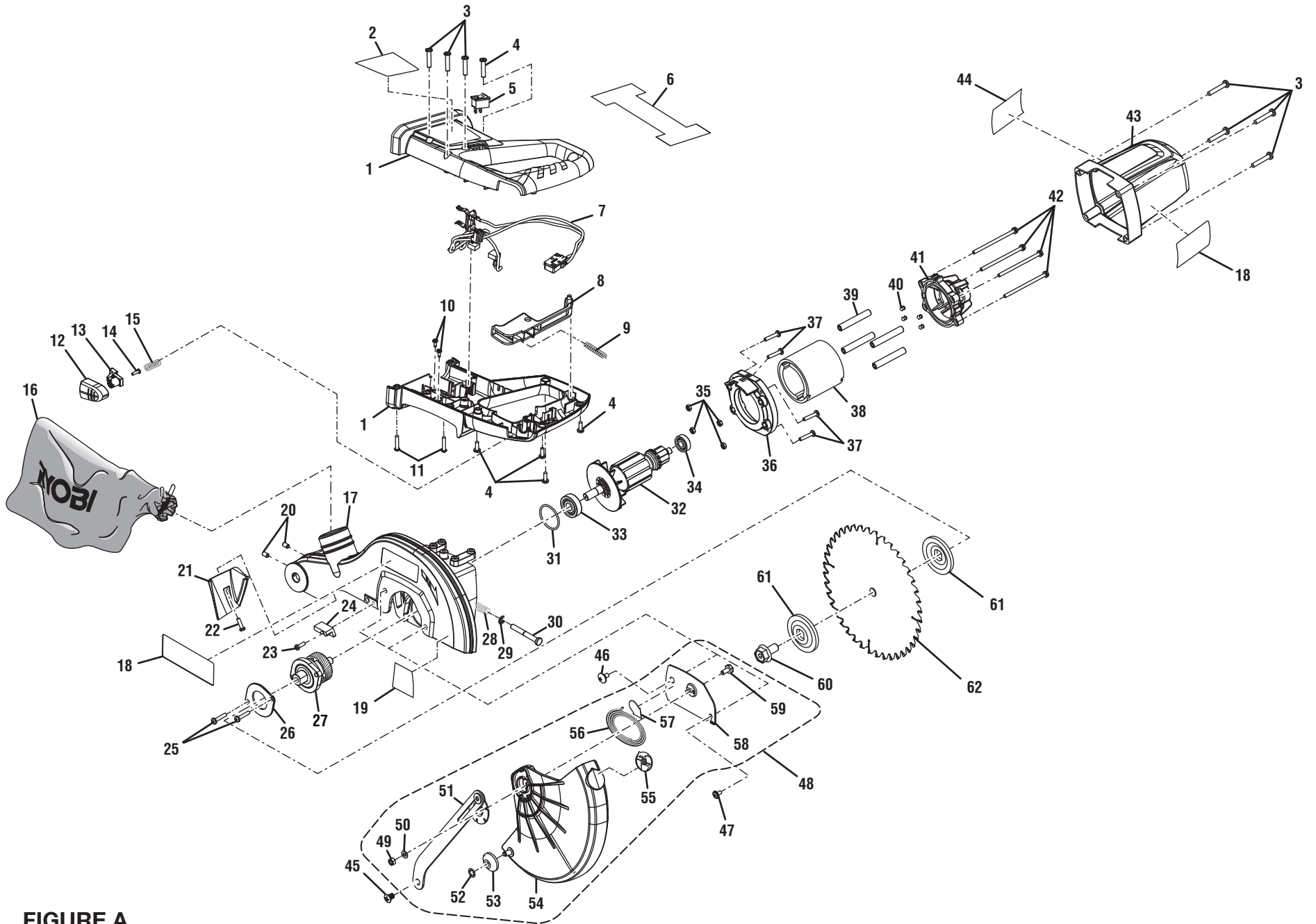


FIGURE A

RYOBI 7-1/4 in. COMPOUND MITER SAW – MODEL NUMBER P551

The model number will be found on a label attached to the motor housing. Always mention the model number in all correspondence regarding your 7-1/4 in. **COMPOUND MITER SAW** or when ordering parts.

PARTS LIST FOR FIGURE A

KEY NO.	PART NUMBER	DESCRIPTION	QTY	KEY NO.	PART NUMBER	DESCRIPTION	QTY
1	080001020711	D-Handle Assembly (Inc. Key No. 2)	1	19	089240001907	Warning Label (Pivot Plate Screw).....	1
2	080001020902	Warning Label	1	20	089240001041	Set Screw (M4 x 8 mm, Nylock)	2
3	089240001052	Screw (M5 x 30 mm, Pan Hd.)	7	21	089240001037	Laser Cover	1
4	089240001093	Screw (M4 x 16 mm)	5	22	089240001038	Screw (M4 x 22 mm, Pan Hd.)	1
5	089240001065	Laser Switch	1	23	089100302038	Screw (M4 x 8 mm, Pan Hd.)	1
6	080001020906	Hang Tag Warning (French/Spanish)	1	24	080001020046	Stop Block	1
7	080001020713	Switch, Brush and Contact Plate Assembly	1	25	089240001038	Screw (M4 x 18 mm, Pan Hd.)	2
8	080001020040	Trigger	1	26	089240001044	Bearing Holder Plate	1
9	080006014060	Compression Spring	1	27	080001020703	Gear and Spindle Assembly	1
10	080001020037	Screw (M5 x 15 mm)	2	28	089100207065	Compression Spring	1
11	080001020038	Screw (M4 x 38 mm)	2	29	089100207066	E-Ring	1
12	080001020039	Safety Buckle Cover	1	30	080006014038	Spindle Lock Pin	1
13	089240001057	Safety Buckle	1	31	080009002053	O-Ring	1
14	089240001059	Screw (M3 x 12 mm)	1	32	080001020706	Armature Assembly (Inc. Key Nos. 33-34)....	1
15	089240001060	Spring	1	33	080009002086	Ball Bearing (6200 TU/TZ/CM/5C)	1
16	080001020050	Dust Bag	1	34	080009002085	Ball Bearing (608 2RS C3)	1
17	080001020702	Upper Guard/Gear Box Assembly (Inc. Key Nos. 18-19)	1	35	080001020033	Hex Nut (M4)	4
18	080001020904	Logo Label	2	36	080001020024	Front cover	1
				37	080001020025	Screw (M4 x 20 mm, Pan Hd.)	4

RYOBI 7-1/4 in. COMPOUND MITER SAW – MODEL NUMBER P551

The model number will be found on a label attached to the motor housing. Always mention the model number in all correspondence regarding your 7-1/4 in. **COMPOUND MITER SAW** or when ordering parts.

PARTS LIST FOR FIGURE A

KEY NO.	PART NUMBER	DESCRIPTION	QTY	KEY NO.	PART NUMBER	DESCRIPTION	QTY
38	080001020704	Field Tube Assembly.....	1	52	089100207102	Retaining Ring	1
39	080001020026	Tube	4	53	089240001094	Guide Roller	1
40	080001020027	Rivet.....	4	54	080001020714	Lower Blade Guard (Inc. Key No. 55)	1
41	080001020705	Motor End Cap Assembly.....	1	55	089100207097	No Hands Label	1
42	080001020032	Screw (M4 x 70 mm, Pan Hd.).....	4	56	089240001066	Torsion Spring.....	1
43	080001020712	Motor Housing Assembly (Inc. Key Nos. 18 and 44).....	1	57	089100207051	Warning Label (Blade Direction)	1
44	080001020901	Data Label.....	1	58	080001020042	Pivot Plate.....	1
45	089100207027	Screw (M3, Shoulder)	1	59	581410003	Shoulder Bolt	1
46	089240001064	Screw (M5 x 5 mm, Shoulder)	1	60	089240001071	Blade Bolt	1
47	A19001040091	Screw (M4 x 9 mm, Pan Hd.).....	1	61	080009002060	Blade Washer.....	2
48	080001020708	Lower Blade Guard Assembly (Inc. Key Nos. 49-59)	1	62	089240001909	Blade (7-1/4 in. x 24t)	1
49	089100207028	Lock Nut (M6)	1	Not Shown:			
50	089240001070	Washer (ID6 x OD10 x 1t).....	1	988000224		Operator's Manual	1
51	080001020715	Linkage Assembly.....	1	11-18-10 (Rev:01)			

RYOBI 7-1/4 in. COMPOUND MITER SAW – MODEL NUMBER P551

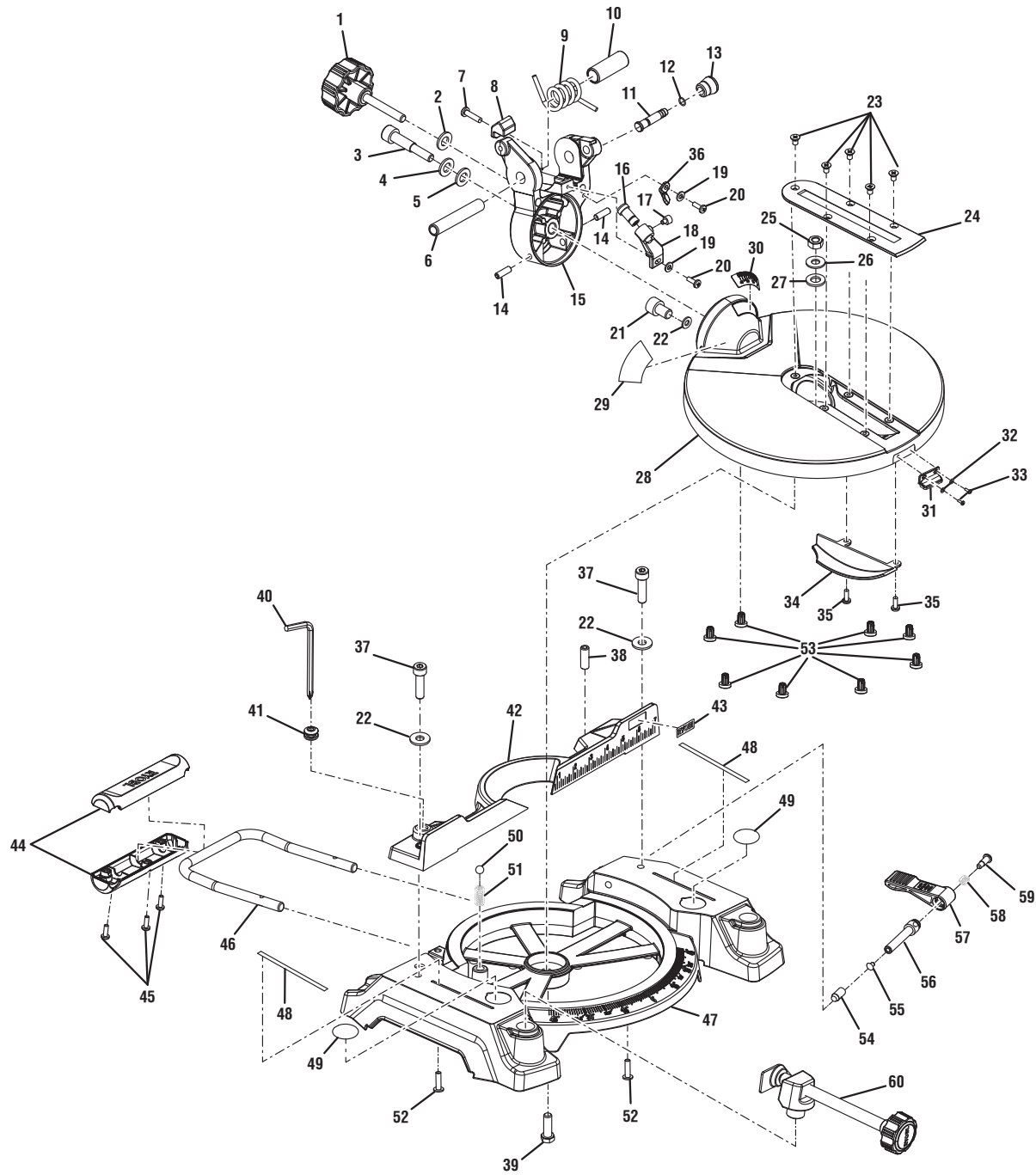


FIGURE B

RYOBI 7-1/4 in. COMPOUND MITER SAW – MODEL NUMBER P551

The model number will be found on a label attached to the motor housing. Always mention the model number in all correspondence regarding your **7-1/4 in. COMPOUND MITER SAW** or when ordering parts.

PARTS LIST FOR FIGURE B

KEY NO.	PART NUMBER	DESCRIPTION	QTY	KEY NO.	PART NUMBER	DESCRIPTION	QTY
1	080001020010	Bevel Handle.....	1	32	089240001017	Washer (M3).....	2
2	080006014016	Washer (ID10 x OD20 x 2t).....	1	33	089240001016	Screw (M3 x 10 mm, Pan Hd.).....	2
3	089240001030	Bolt (M8).....	1	34	089240001013	Lower Table Guard.....	1
4	080001020014	Washer (ID8.5 x OD18 x 0.5t).....	1	35	089100302038	Screw (M4 x 8 mm, Pan Hd.).....	2
5	080001020015	Washer (ID8.2 x OD23 x 2t).....	1	36	080006014021	Bevel Pointer.....	1
6	089240001033	Pivot Shaft.....	1	37	089240001021	Screw w/Washer (M8 x 30 mm, Special).....	2
7	089240001091	Screw (M5 x 12 mm, Pan Hd.).....	1	38	080001020056	Set Screw (M6, Nylon).....	1
8	080001020012	Stop Block.....	1	39	089240001018	Bolt (M8 x 23 mm, Hex Soc. Hd.).....	1
9	080001020016	Tension Spring.....	1	40	089240001076	Blade Wrench (Hex Key, M5).....	1
10	089240001034	Spring Spacer.....	1	41	089100207013	Grommet.....	1
11	089240001024	Lock Pin.....	1	42	080001020008	Fence.....	1
12	089083001092	O-Ring.....	1	43	080001020905	Logo Label.....	1
13	080006014019	Lock Pin Cap.....	1	44	080001020710	Tip Bar Assembly.....	1
14	089240001023	Set Screw (M8 x 16 mm).....	2	45	080006014059	Screw (M4 x 12 mm).....	3
15	080001020009	Knuckle.....	1	46	089240001002	Tip Bar.....	1
16	080001020013	Laser Module Assembly.....	1	47	080001020701	Base Assembly (Inc. Key Nos. 48-49).....	1
17	089240001029	Screw (M4 x 5 mm, Special Hex Soc. Hd.).....	1	48	089240001908	No Hands Label.....	2
18	089240001028	Laser Bracket.....	1	49	089100207097	No Hand Label.....	2
19	089100302032	Washer (ID4.2 x OD10 x 1t).....	2	50	080009005182	Steel Ball (8 mm).....	1
20	080006014026	Screw (M4 x 12 mm, Pan Hd.).....	2	51	089240001085	Compression Spring.....	1
21	089240001019	Screw (M8 x 10 mm, Hex Soc. Hd.).....	1	52	089240001003	Screw (M5 x 18 mm).....	2
22	089100207019	Spring Washer (M8).....	3	53	080006014002	Wear Ring.....	8
23	089100207038	Screw (M4 x 8 mm).....	5	54	089240001084	Miter Lock Tip.....	1
24	080001020006	Throat Plate.....	1	55	089240001010	Plug.....	1
25	080006014010	Lock Nut (M8).....	1	56	089240001009	Miter Lock Shaft.....	1
26	089240001087	Washer (ID8.2 x OD20 x 1.5t).....	1	57	080001020004	Miter Lock Lever.....	1
27	080001020007	Washer (ID8.2 x OD26 x 1.5t).....	1	58	089240001008	Spring.....	1
28	080001020005	Table.....	1	59	089240001007	Screw (M5, Shoulder).....	1
29	089240001903	Aperature Warning Label.....	1	60	080001020709	Work Clamp.....	1
30	080001020903	Bevel Scale.....	1				
31	089240001015	Miter Pointer.....	1				