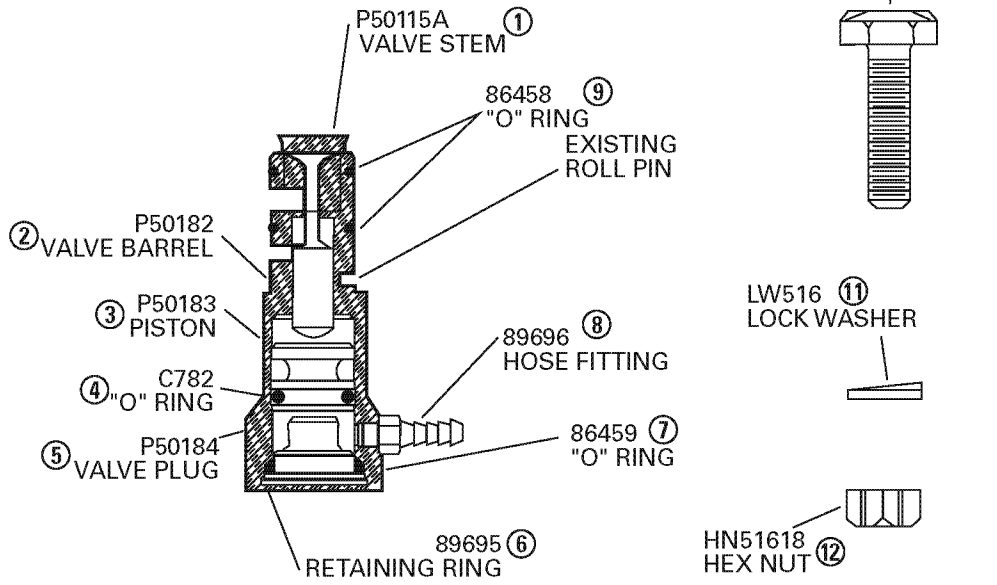
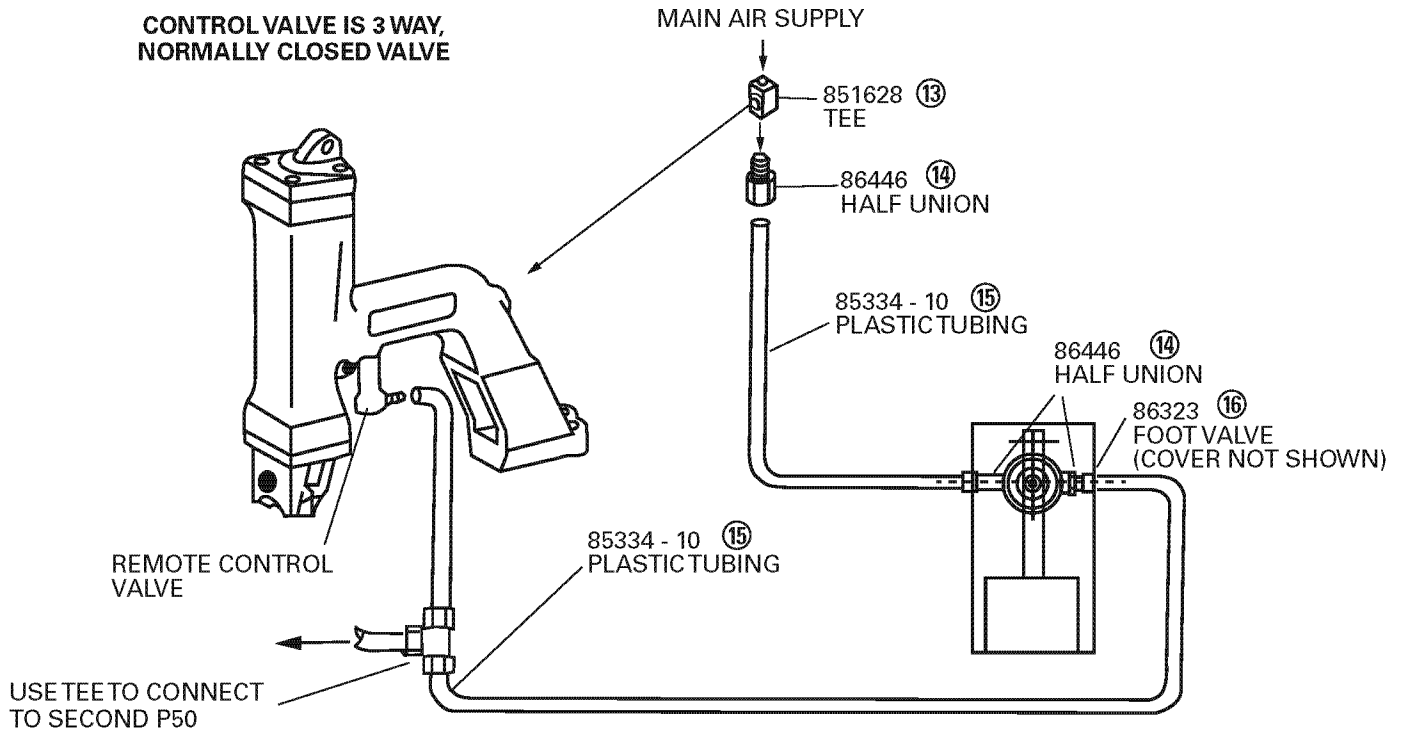


**P50181
REMOTE CONTROL VALVE
AND CLINCHER KIT**



**P50K1
ASSEMBLY INSTALLATION
WITH REMOTE CONTROL KIT**

**CONTROL VALVE IS 3 WAY,
NORMALLY CLOSED VALVE**



Parts List for P50K1 Type 0

Item Number	Part Number	Description	Qty Required
1	P50115A	TRIGGER VALVE STEM	1
2	P50182	VALVE BARREL	1
3	P50183	PISTON	1
4	C782	O-RING-.424X.103	1
5	P50184	VALVE PLUG	1
6	89695	RING- RETAINER	1
7	86459	O-RING	1
8	89696	FITTING- HOSE	1
9	86458	O-RING	2
10	P50185	CLINCHER	1
11	LW516	WASHER-5/16 REG HEL	1
12	HN51618	NUT-5/16-18 HEX BLAC	1
13	851628	1/4 NPT TEE	1
14	86446	HALF UNION	3
15	85334-10	PLASTIC TUBING 10'	3
16	86323	VALVE-FOOT OPERATING	1