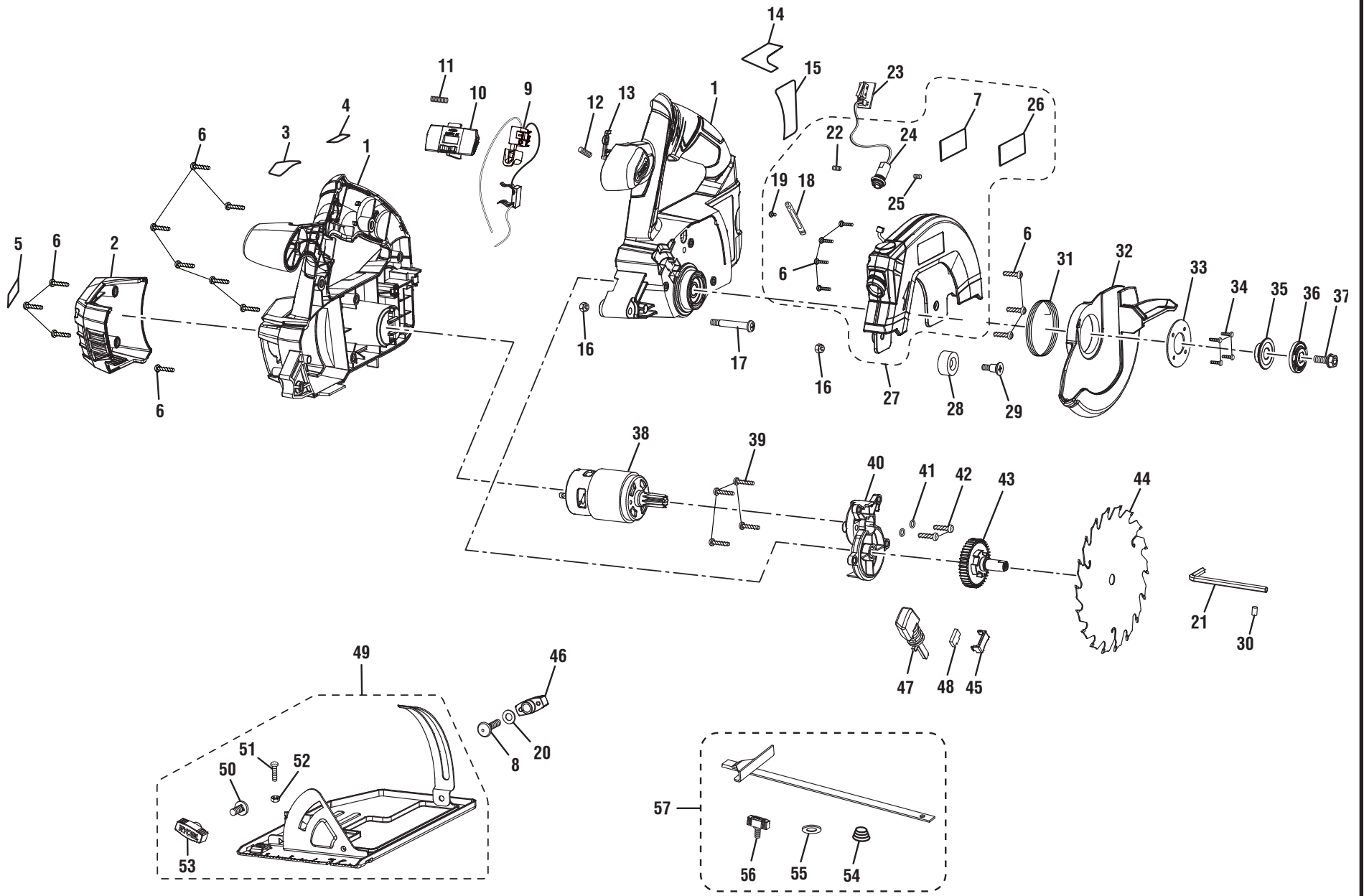


RYOBI 5-1/2 in. (140 mm) CIRCULAR SAW - MODEL NUMBER P506



RYOBI 5-1/2 in. (140 mm) CIRCULAR SAW - MODEL NUMBER P506

The model number will be found on a label attached to the motor housing. Always mention the model number in all correspondence regarding your **CIRCULAR SAW** or when ordering repair parts.

PARTS LIST

KEY NO.	PART NUMBER	DESCRIPTION	QTY	KEY NO.	PART NUMBER	DESCRIPTION	QTY
1	305015001	Housing Assembly (Inc. Key No. 43)	1	18	633834001	Wire Holder	1
2	523123001	End Cap	1	19	660201010	Screw (M2.6 x 10 mm)	1
3	940221256	Warning Label	1	20	691992001	Washer (OD12 mm x ID6.4 mm x 1t)	1
4	940533055	Logo Label	1	21	6800201	Hex Key (5 mm)	1
5	940114191	Logo Label	1	22	660859002	Screw (M4 x 8 mm)	1
6	660024044	Screw (M4 x 16 mm)	19	23	290804051	Circuit Board Assembly	1
7	940221269	Warning Label	1	24	302514001	Laser Assembly	1
8	661067002	Screw (Special)	1	25	672017001	Compression Spring	1
9	270016162	Switch Assembly	1	26	940114178	Logo Label	1
10	523141001	Lock-off Button	1	27	305004001	Upper Guard Assembly (Inc. Key Nos. 6-7, 18-19, 22 and 24-26)	1
11	672552001	Compression Spring	1	28	560990003	Rubber Stopper	1
12	693010001	Compression Spring	1	29	660193006	Screw (M5 x 18 mm)	1
13	523275001	Laser Switch Link	1	30	560219006	Rubber Plug	1
14	940488317	Data / Warning Label	1	31	6867201	Torsion Spring	1
15	940221255	Danger Label	1	32	523124001	Lower Guard	1
16	670974003	Insert Nut (M5)	2	33	6850303	Cover Plate	1
17	660145003	Screw (M5 x 40 mm)	1				

RYOBI 5-1/2 in. (140 mm) CIRCULAR SAW - MODEL NUMBER P506

The model number will be found on a label attached to the motor housing. Always mention the model number in all correspondence regarding your **CIRCULAR SAW** or when ordering repair parts.

PARTS LIST

KEY NO.	PART NUMBER	DESCRIPTION	QTY	KEY NO.	PART NUMBER	DESCRIPTION	QTY
34	6620104	Screw (M2.6 x 10 mm).....	4	49	304721001	Base Assembly (Inc. Key Nos. 50-53)	1
35	610276003	Inner Blade Washer	1	50	660142008	Screw (M6 x 12 mm).....	1
36	6112101	Outer Blade Washer	1	51	660212053	Screw (M4 x 16 mm).....	1
37	660144005	Screw (M6 x 16 mm, Hex Soc. Hd.)	1	52	680022003	Hex Nut (M4).....	1
38	230163006	Motor Assembly	1	53	301124015	Bevel Adjustment Knob Assembly	1
39	660208049	Screw (M4 x 22 mm).....	4	54	681230001	Spring (Optional).....	1
40	305003001	Gear Box Assembly	1	55	680027001	Washer (OD10 mm x ID5 mm x 1t, Optional) .1	1
41	670030004	Spring Washer	2	56	301124017	Edge Guide Knob Bolt (Optional)	1
42	6621204	Screw (M4 x 16 mm).....	2	57	201985001	Optional Edge Guide Assembly (Inc. Key Nos. 54-56).....	1
43	304522001	Gear Assembly	1	Not Shown:			
44	6797329	Blade (5.5 in.).....	1	960931662	Operator's Manual (Edge Guide).....		1
45	523287001	Shaft Lock Holder.....	1	988000316	Operator's Manual (961067737).....		1
46	301124016	Depth Adjustment Knob Assembly	1	8-30-11			
47	305006001	Shaft Lock Plate Assembly.....	1	(REV:02)			
48	9030308	Sealing Pad	1				