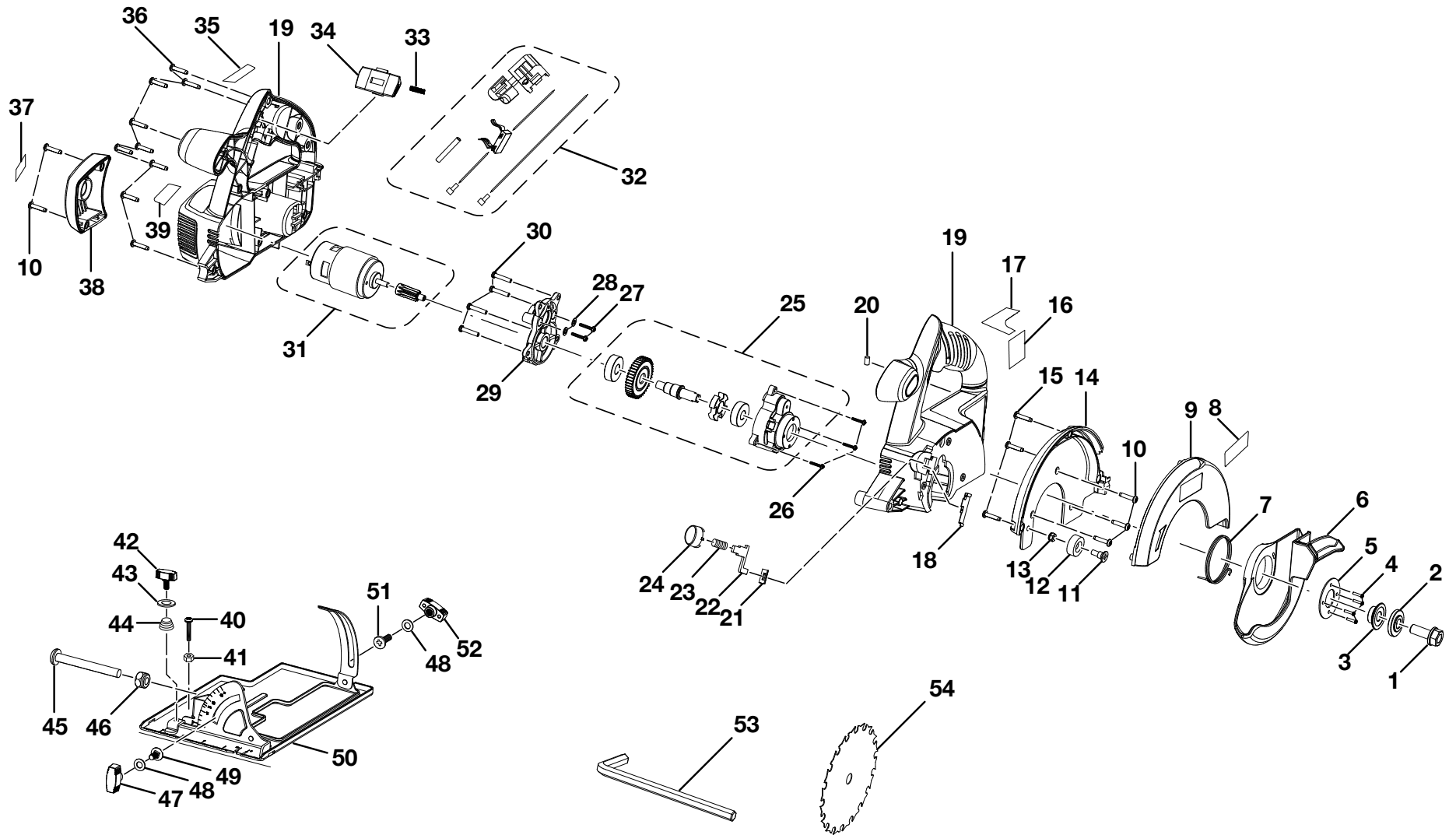


RYOBI 5-1/2 in. (140 mm) CIRCULAR SAW - MODEL NUMBER P503



RYOBI 5-1/2 in. (140 mm) CIRCULAR SAW - MODEL NUMBER P503

The model number will be found on a label attached to the motor housing. Always mention the model number in all correspondence regarding your **CIRCULAR SAW** or when ordering repair parts.

PARTS LIST

KEY NO.	PART NUMBER	DESCRIPTION	QTY	KEY NO.	PART NUMBER	DESCRIPTION	QTY
1	660144006	SCREW (M6 x 16 mm HEX.)	1	16	940701010	WARNING LABEL.....	1
2	6112101	OUTER BLADE WASHER.....	1	17	940230167	WARNING LABEL (FRENCH)	1
3	610276001	INNER BLADE WASHER	1	18	632198001	COVER PLATE.....	1
4	660211012	SCREW (M3 x 8 mm PAN HD.).....	4	19	200078032	HOUSING ASSEMBLY	1
5	6850303	BEARING RETAINER.....	1	20	560219006	CONTACT PLATE STOPPER	1
6	515102001	LOWER BLADE GUARD.....	1	21	901604001	FIBER SEALING PAD	1
7	6867201	TORSION SPRING	1	22	632136001	SPINDLE LOCK PLATE	1
8	940114178	LOGO LABEL.....	1	23	670056001	SPRING	1
9	641462001	UPPER BLADE GUARD SUPPORT.....	1	24	515950001	SPINDLE LOCK BUTTON.....	1
10	660024051	SCREW (M4 x 18 mm).....	5	25	220043010	OUTPUT GEAR AND SHAFT ASSEMBLY W/GEAR BOX COVER.....	1
11	660193008	SCREW (M5 x 15.5 mm).....	1	26	660211020	SCREW (M3 x 14 mm).....	3
12	560990001	RUBBER BUMPER.....	1	27	660215010	SCREW (M4 x 20 mm).....	2
13	670974003	LOCK NUT (M5).....	1	28	670030001	SPRING WASHER	2
14	641463001	UPPER BLADE GUARD COVER	1	29	641422001	GEAR BOX SUPPORT.....	1
15	660165006	SCREW (M4 x 12 mm).....	3				

RYOBI 5-1/2 in. (140 mm) CIRCULAR SAW - MODEL NUMBER P503

The model number will be found on a label attached to the motor housing. Always mention the model number in all correspondence regarding your **CIRCULAR SAW** or when ordering repair parts.

PARTS LIST

KEY NO.	PART NUMBER	DESCRIPTION	QTY	KEY NO.	PART NUMBER	DESCRIPTION	QTY
30	660208049	SCREW (M4 x 22 mm).....	4	44	681230001	SPRING	1
31	230163006	MOTOR ASSEMBLY	1	45	661097001	SCREW (M6 x 52 mm).....	1
32	270017249	SWITCH ASSEMBLY	1	46	670494002	LOCK NUT (M6).....	1
33	672552001	SPRING	1	47	301124011	BEVEL ADJUST KNOB ASSEMBLY	1
34	515948001	LOCK-OFF BUTTON	1	48	691992001	WASHER	2
35	940045143	DATA LABEL	1	49	660142008	CARRIAGE BOLT (M6 x 12 mm)	1
36	660024044	SCREW (M4 x 16 mm).....	9	50	672512001	BASE ASSEMBLY	1
37	940114179	LOGO LABEL.....	1	51	661067001	SCREW (M6 x 30 mm).....	1
38	515949001	END CAP	1	52	301124004	DEPTH ADJUST KNOB ASSEMBLY	1
39	940701011	WARNING LABEL.....	1	53	6800201	HEX KEY (M6).....	1
40	660212053	SCREW (M4 x 16 mm).....	1	54	6797329	BLADE	1
41	680022003	HEX NUT (M4 x 3.2 mm)	1		987000176	OPERATOR'S MANUAL	
42	301124002	EDGE GUIDE KNOB ASSEMBLY.....	1		07-6-10		
43	680027001	WASHER	1		(REV:03)		