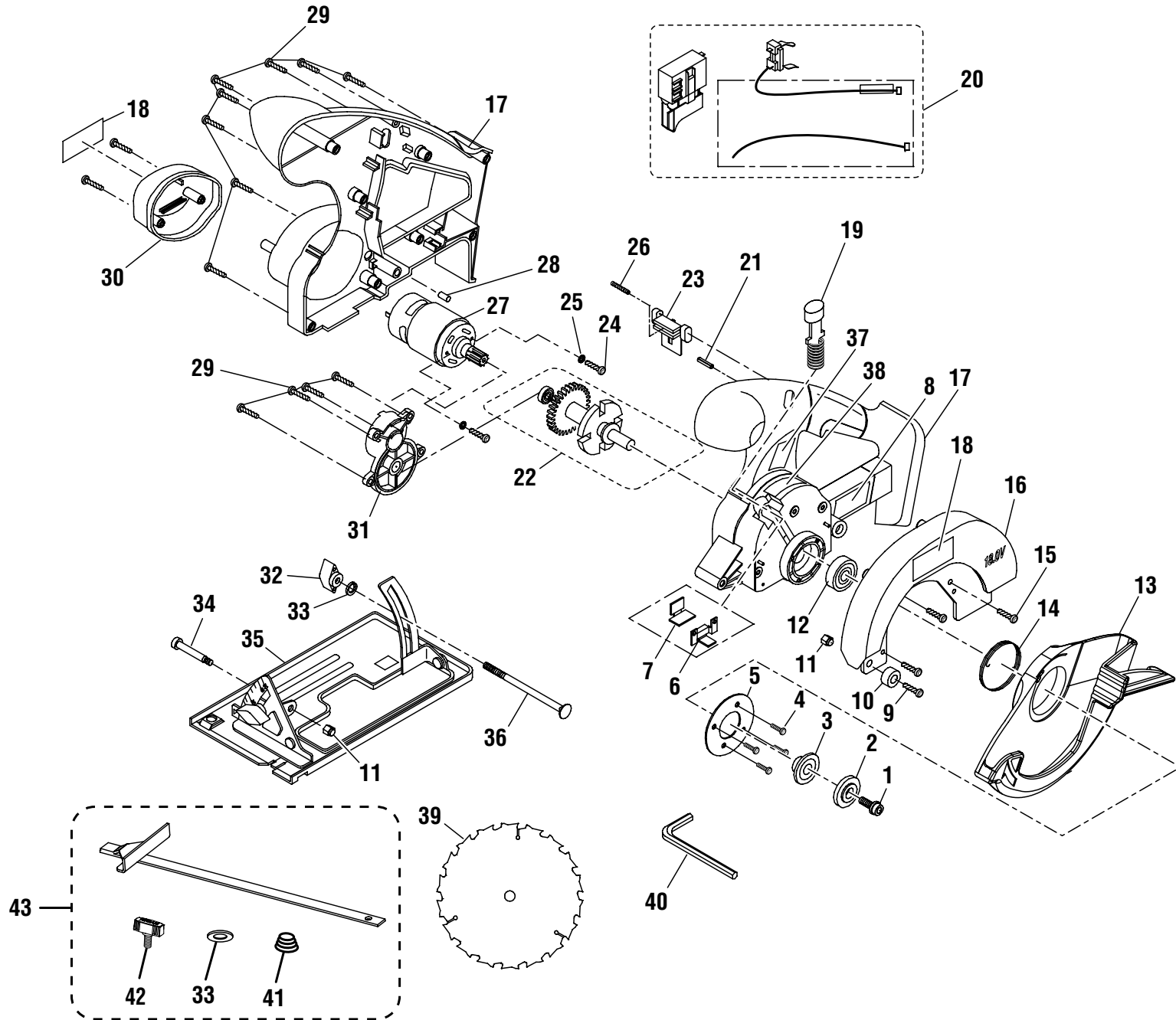


RYOBI 18 VOLT CORDLESS CIRCULAR SAW MODEL NUMBER P501G



RYOBI 18 VOLT CORDLESS CIRCULAR SAW MODEL NUMBER P501G

The model number will be found on a label attached to the motor housing. Always mention the model number in all correspondence regarding your **CORDLESS TRIM SAW** or when ordering repair parts.

PARTS LIST

KEY NO.	PART NUMBER	DESCRIPTION	QTY.	KEY NO.	PART NUMBER	DESCRIPTION	QTY.
1	660144005	Screw (M6 x 16 mm, Special).....	1	25	670003004	Spring Washer	2
2	6112101	Outer Blade Washer	1	26	6799802	Spring	1
3	6112004	Inner Blade Washer	1	27	2303328	Motor Assembly.....	1
4	6620104	Screw (M2.6 x 10 mm).....	4	28	5621901	Contact Plate Stopper	1
5	6850303	Bearing Retainer	1	29	660024006	Screw (M4 x 22 mm, Pan Hd.).....	14
6	6322602	Cover Plate	1	30	530149013	End Cap.....	1
7	9030308	Sealing Pad.....	1	31	300208041	Gear Casing Assembly	1
8	940221277	Danger Label	1	32	520245012	Knob	1
9	6619302	Screw (M5 x 15.5 mm, Pan Hd.).....	1	33	680027001	Washer (OD10 x ID5 x 1t)	2
10	5217802	Bumper	1	34	660145003	Screw (M5 x 40 mm).....	1
11	670974003	Lock Nut (M5)	2	35	300255041	Base Assembly	1
12	6807001	Ball Bearing (6000zz)	1	36	660143006	Bolt	1
13	550994012	Lower Blade Guard.....	1	37	940221276	Warning Label.....	1
14	680672007	Torsion Spring	1	38	940488378	Data Label	1
15	660570004	Screw (M3 x 14 mm).....	3	39	6797329	Blade.....	1
16	640568012	Upper Guard.....	1	40	6800201	Hex Key (M5)	1
17	200112018	Housing Assembly.....	1	41	680001001	Spring (Optional).....	1
18	940114371	Logo Label.....	2	42	520177001	Edge Guide Knob Bolt (Optional)	1
19	303826006	Shaft Lock	1	43	201985003	Optional Edge Guide Assembly (Inc. Key Nos. 33 and 41-42).....	1
20	270017041	Switch Assembly	1				
21	6763101	Spring Pin	1				
22	303439001	Output Shaft Assembly.....	1				
23	520173027	Lock-off Button.....	1				
24	6621204	Screw (M4 x 16 mm, Pan Hd.).....	2				
					Not Shown:		
					988000673	Operator's Manual	
					9-13-12		
					(REV:03)		