

**Ryobi**  
**18V Brushless Belt Sander**  
**Model No. P450**  
**Repair Sheet**

RYOBI 18V BRUSHLESS BELT SANDER – MODEL NO. P450

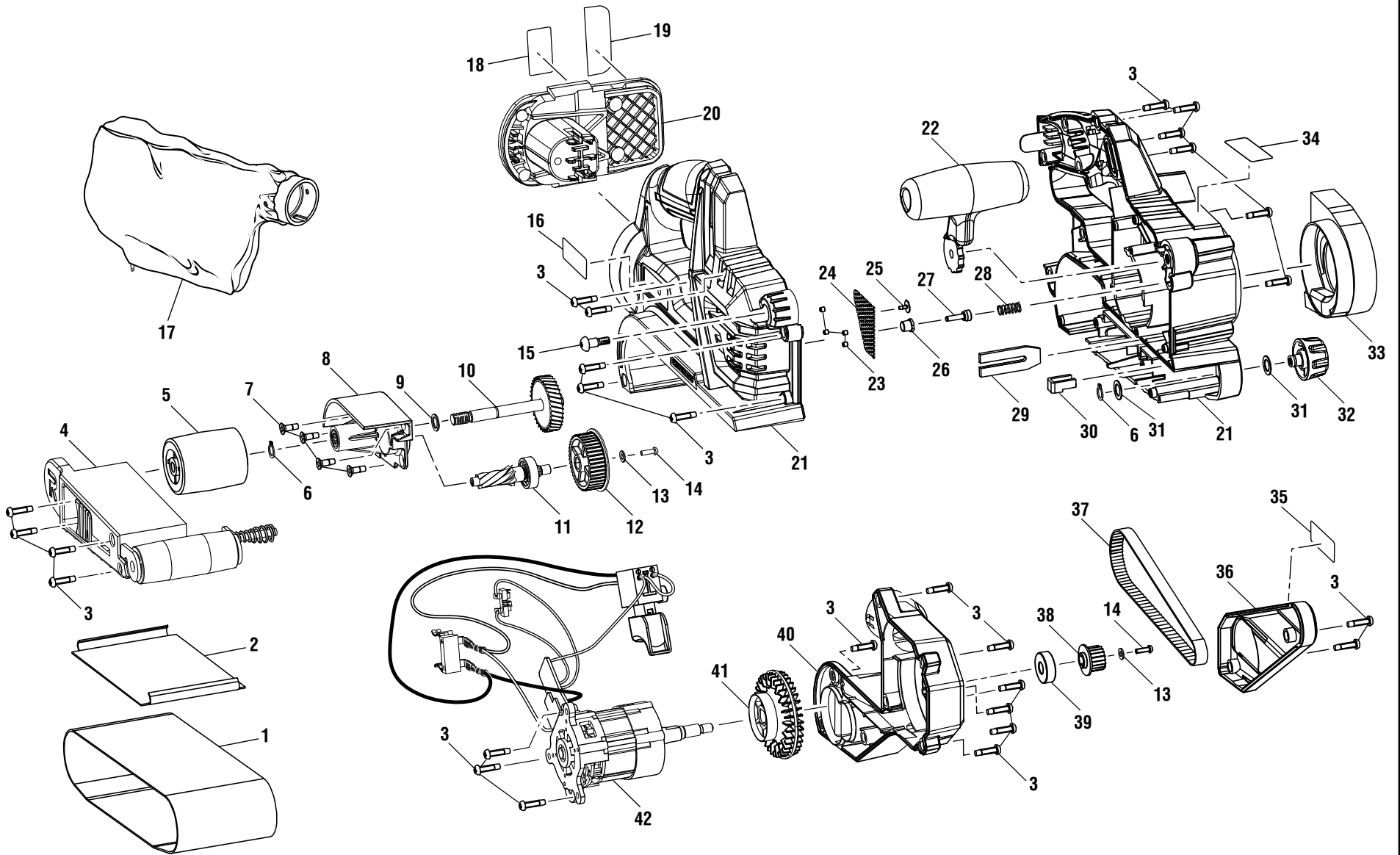


FIGURE A

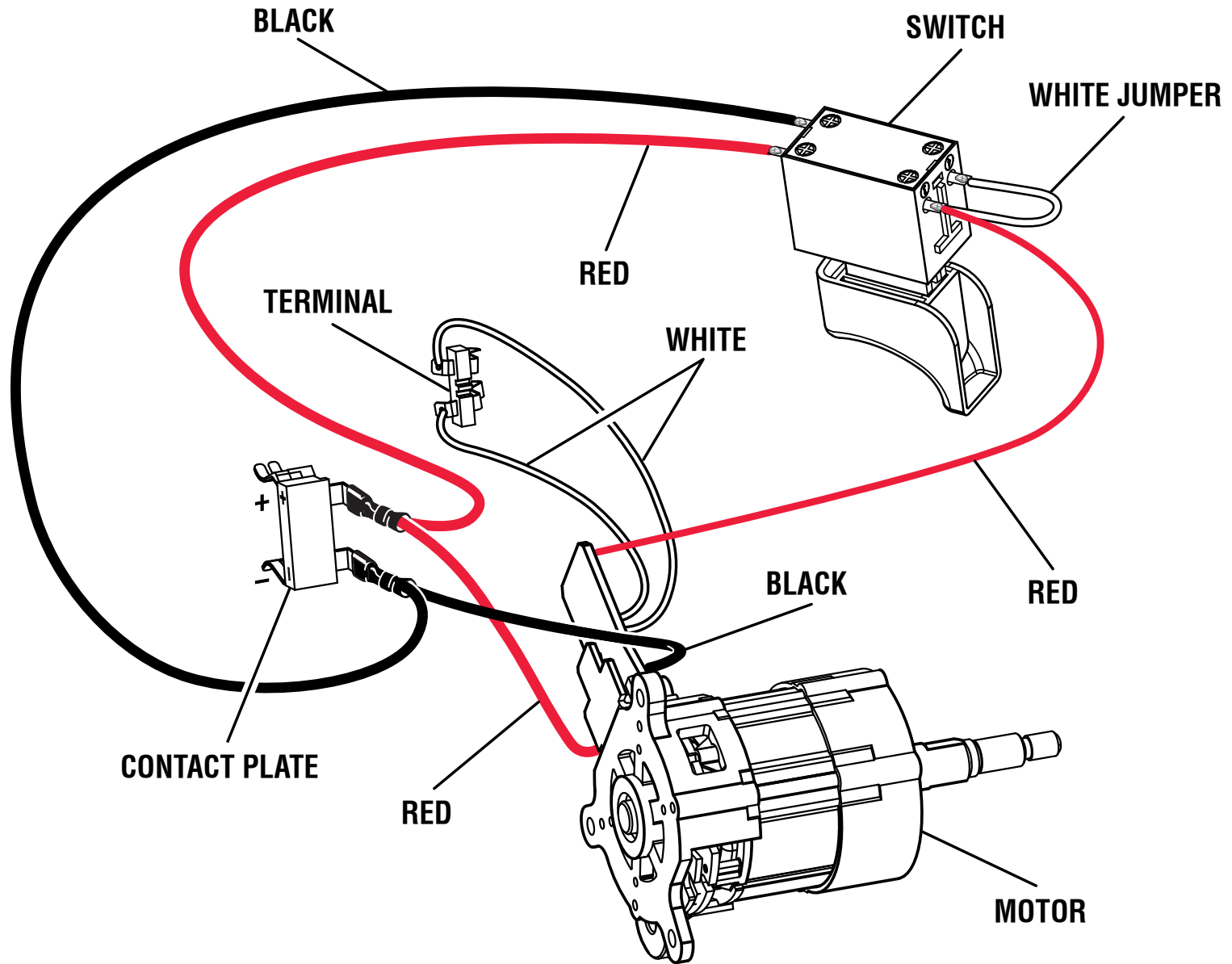
## RYOBI 18V BRUSHLESS BELT SANDER – MODEL NO. P450

The model number will be found on a label attached to the housing. Always mention the model number in all correspondence regarding your **BELT SANDER** or when ordering replacement parts.

### PARTS LIST

KEY NO.	PART NUMBER	DESCRIPTION	QTY	KEY NO.	PART NUMBER	DESCRIPTION	QTY
1	900708001	Sanding Belt .....	1	24	591707001	Mesh Net .....	1
2	637754001	Base .....	1	25	660200002	Screw (M2.3 x 6 mm, Chisel Hd.) .....	1
3	660024018	Screw (M4 x 16 mm, T20 Torx Pan Hd. S.T.) .....	27	26	532051001	Handle Release Button .....	1
4	204396001	Yoke and Front Roller Assy .....	1	27	622054001	Lock Shaft .....	1
5	300777002	Rear Roller Assembly .....	1	28	694608002	Compression Spring .....	1
6	630794001	External Retaining Ring .....	2	29	637755001	U Bracket .....	1
7	660279011	Screw (M4 x 12 mm, Flat Hd.) .....	4	30	690584001	Stopper .....	1
8	204399001	Roller Support w/Bearing Assembly .....	1	31	690138001	Washer (OD13.8 x ID8.2 x 0.5t) .....	2
9	632876001	Washer (OD.12.15 x ID. 8.1 x 1t) .....	1	32	312275001	Tracking Knob .....	1
10	206580001	Big Helical Gear w/Shaft .....	1	33	532055001	Fan Cover .....	1
11	206579001	Helical Gear Shaft and Bearing Assembly .....	1	34	941121769	Data Label .....	1
12	642895001	Driven Pulley .....	1	35	940114178	Logo Label .....	1
13	631806001	Washer (OD8 x ID3.5 x 1t) .....	2	36	361029001	Belt Cover .....	1
14	660211002	Screw (M3 x 10 mm, Pan Hd.) .....	2	37	564207001	Timing Belt .....	1
15	T662509001	Shoulder Bolt (M5 x 17 mm, Pan Hd.) .....	1	38	642894001	Drive Pulley .....	1
16	941655017	Logo Label .....	1	39	671498001	Ball Bearing (6082RS) .....	1
17	204443001	Dust Bag w/Frame .....	1	40	532028001	Left Housing .....	1
18	941120280	Warning Label (Spanish) .....	1	41	532054001	Fan .....	1
19	941120279	Warning Label (English and French) .....	1	42	206578001	Motor and Switch Assembly .....	1
20	532050001	Universal Battery Foot .....	1				
21	204397001	Housing Assembly (Inc. Key Nos. 16 and 34) .....	1				
22	312276001	Adjustable Front Handle .....	1				
23	694922001	Magnetic Plate .....	4				
					<b>Not Shown:</b>		
					991000900	Operator's Manual	
					11-17-16		
					(Rev:01)		

RYOBI 18V BRUSHLESS BELT SANDER – MODEL NO. P450



WIRING DIAGRAM