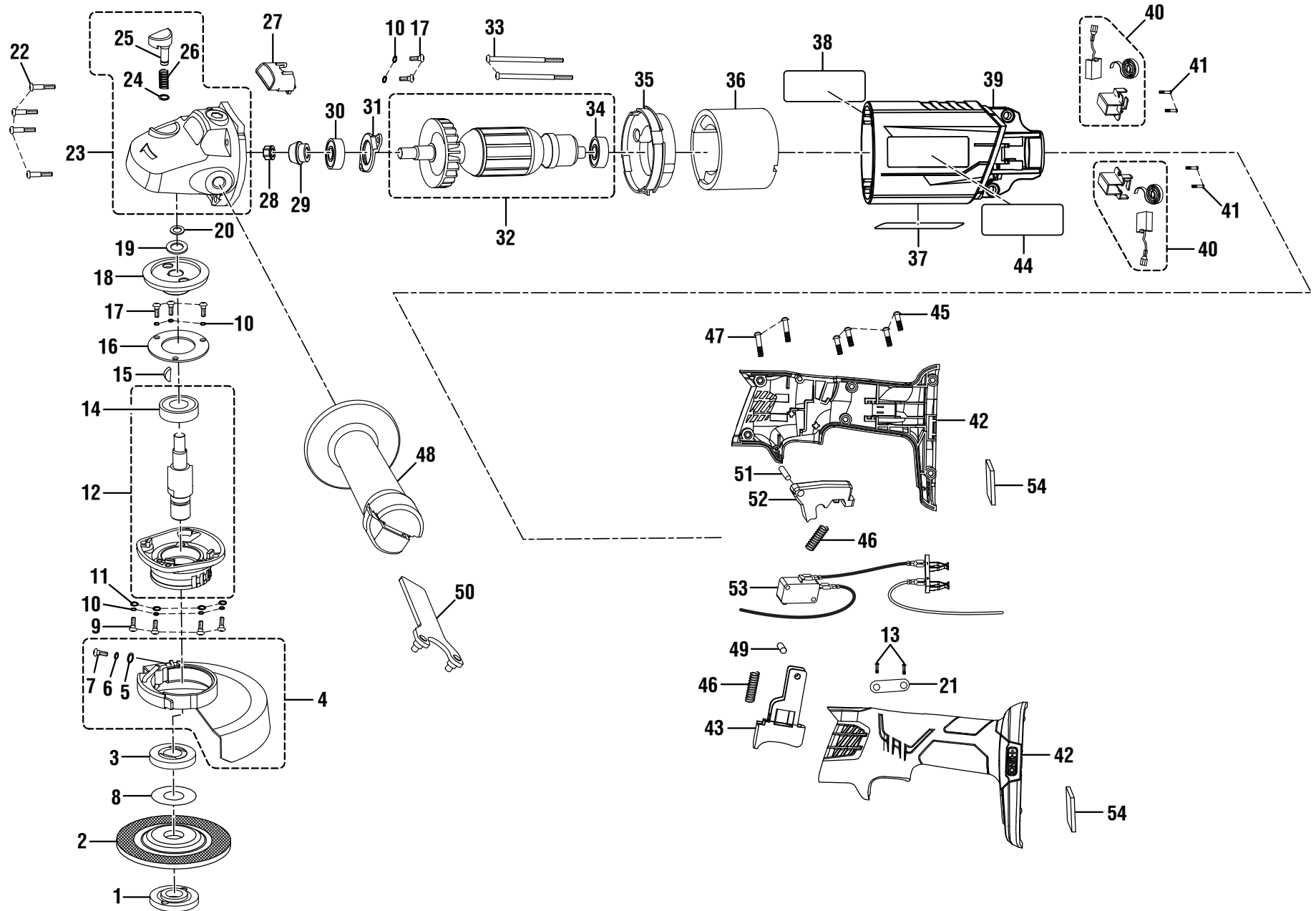


RYOBI 18V ANGLE GRINDER – MODEL NUMBER P421



## RYOBI 18V ANGLE GRINDER – MODEL NUMBER P421

The model number will be found on a plate attached to the motor housing. Always mention the model number in all correspondence regarding your **ANGLE GRINDER** or when ordering repair parts.

### PARTS LIST

KEY NO.	PART NUMBER	DESCRIPTION	QTY	KEY NO.	PART NUMBER	DESCRIPTION	QTY
1	019043001001	Clamp Nut .....	1	29	019043001027	Driver Gear .....	1
2	019043001108	Grinding Wheel Assembly (115 mm, Inc. Key No. 8).....	1	30	019043001028	Ball Bearing (609-2Z) .....	1
3	019043001002	Disc Flange .....	1	31	019043001029	Bearing Cover .....	1
4	019043001100	Wheel Guard Assembly (Inc. Key. Nos. 5-7).....	1	32	019043001103	Armature Assembly (Inc. Key No. 34) .....	1
5	019043001004	Washer (OD8.4 x ID5.2 x 1t).....	1	33	019043001031	Screw (M4.2 x 60 mm) .....	2
6	019043001005	Spring Washer (OD8.4 x ID5.2 x 1.5t) .....	1	34	019043001032	Ball Bearing (627-2Z) .....	1
7	019043001006	Screw (M5 x 16 mm) .....	1	35	019043001033	Fan Baffle .....	1
8	019012001085	Grinding Wheel Label.....	1	36	019043001034	Stator.....	1
9	019043001007	Screw (M4 x 14 mm) .....	4	37	019043001063	Warning Label .....	1
10	019043001008	Spring Washer (OD6.8 x ID4.3 x 1.2t) .....	9	38	019043001056	Data Label .....	1
11	019043001009	Washer (OD8 x ID4.4 x 0.7t).....	4	39	019043001104	Motor Housing (Inc. Key Nos. 37-38 and 44).....	1
12	019043001101	Gear Case Cover Assembly (Inc. Key No. 14).....	1	40	019043001105	Brush Assembly .....	2
13	019043001049	Screw (M2.9 x 6 mm) .....	2	41	019043001038	Screw (M2.9 x 9.5 mm) .....	4
14	019043001012	Ball Bearing (6001-2Z) .....	1	42	019043001106	Rear Handle Assembly (Inc. key No. 54).....	1
15	019043001013	Key .....	1	43	019043001048	Switch Trigger .....	1
16	019043001014	Bearing Cover .....	1	44	019043001057	Logo Label .....	1
17	019043001015	Screw (M4 x 8 mm) .....	5	45	019043001040	Screw (M4.2 x 16 mm) .....	4
18	019043001016	Gear.....	1	46	019043001047	Spring.....	2
19	019043001017	Washer (OD18.5 x ID10.2 x 0.5t).....	1	47	019043001041	Screw (M4.2 x 32 mm) .....	2
20	019043001018	C-Ring .....	1	48	019043001054	Side Handle Assembly .....	1
21	019043001050	Pressure Plate .....	1	49	019043001046	Steel Pin .....	1
22	019043001020	Screw (M3.8 x 70 mm) .....	4	50	019043001055	Wrench .....	1
23	019043001102	Gear Case Assembly (Inc. Key Nos. 24-26)...	1	51	019043001043	Steel Pin .....	1
24	019043001022	C-Ring .....	1	52	019043001044	Switch Lock Button.....	1
25	019043001023	Spindle Lock Button.....	1	53	019043001107	Switch Assembly.....	1
26	019043001024	Spring.....	1	54	019043001053	Sponge (18 x 25 mm x 3t) .....	2
27	019043001025	Vent Cover.....	1		<b>Not Shown:</b>		
28	019043001026	Hex Nut (M6) .....	1		990000190	Operator's Manual	
					(Rev:01)		
					11-13-12		