



**18 VOLT DRAIN AUGER  
MODEL NUMBER P4002  
REPAIR SHEET**

**Techtronic Industries Power Equipment, Inc.**

1428 Pearman Dairy Road, Anderson, SC 29625

Phone 1-800-860-4050

[www.ryobitools.com](http://www.ryobitools.com)

RYOBI DRAIN AUGER – MODEL NUMBER P4002

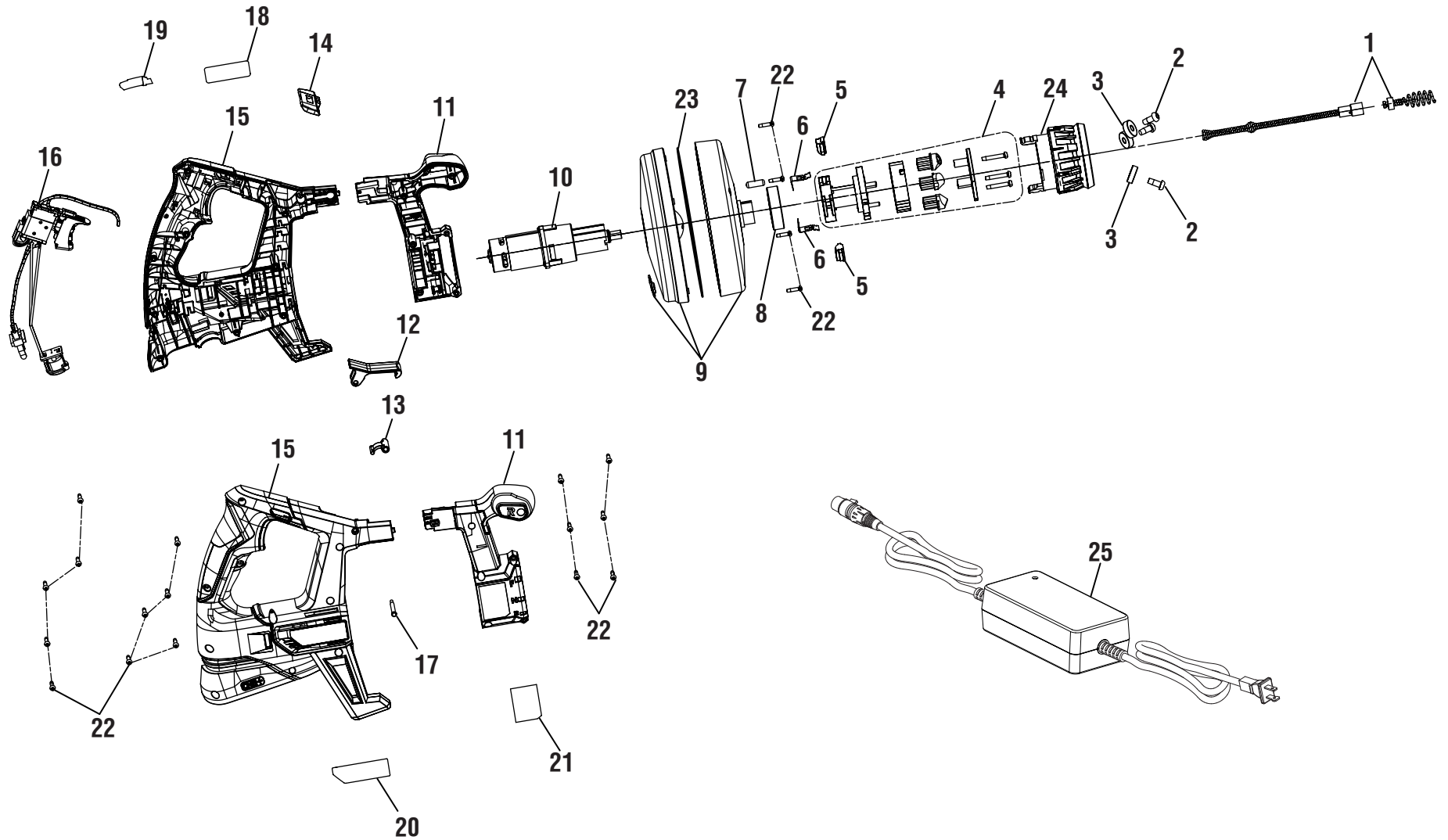


FIGURE A

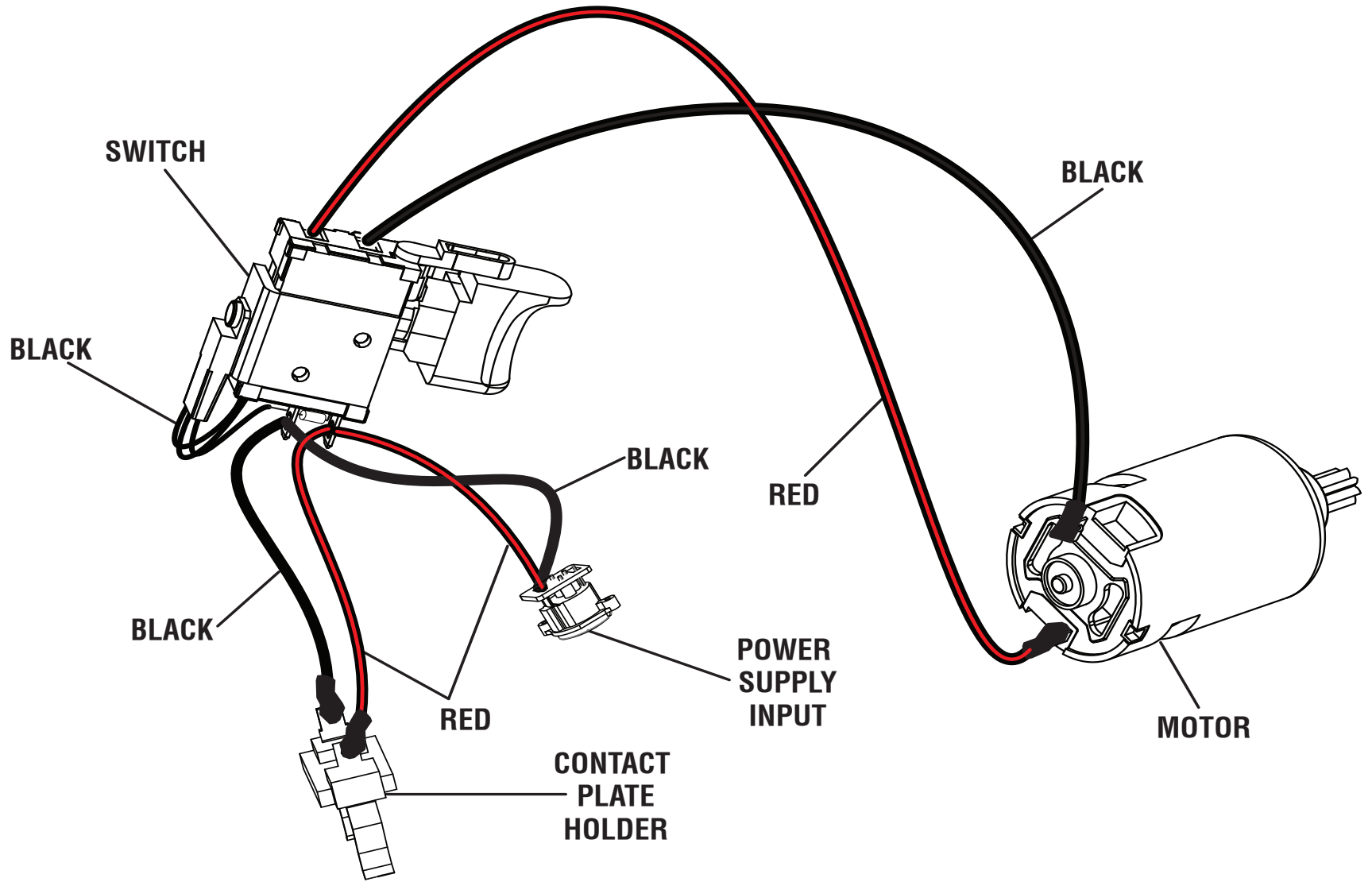
**RYOBI DRAIN AUGER – MODEL NUMBER P4002**

The model number will be found on a label attached to the motor housing. Always mention the model number in all correspondence regarding your **DRAIN AUGER** or when ordering repair parts.

**PARTS LIST – FIGURE A**

| <b>KEY NO.</b> | <b>PART NUMBER</b> | <b>DESCRIPTION</b>                             | <b>QTY</b> | <b>KEY NO.</b> | <b>PART NUMBER</b> | <b>DESCRIPTION</b>                           | <b>QTY</b> |
|----------------|--------------------|--|------------|----------------|--------------------|--|------------|
| 1              | 313387001          | Snake Cable (Auger) w/Removable Tip .....      | 1          | 16             | 204844001          | Variable Speed Switch Assembly .....         | 1          |
| 2              | 662690001          | Screw (M6 x 14 mm) .....                       | 3          | 17             | 662695001          | Screw (M3 x 33 mm, T15 Torx Pan Hd.) .....   | 1          |
| 3              | 681400001          | Ball Bearing (6262RS) .....                    | 3          | 18             | 940114178          | Logo Label .....                             | 1          |
| 4              | 204847001          | Direction Control Assembly .....               | 1          | 19             | 941007071          | Lithium Label .....                          | 1          |
| 5              | 531595001          | Slide Block .....                              | 2          | 20             | 941121905          | Data Label .....                             | 1          |
| 6              | 636773001          | Spring Plate.....                              | 2          | 21             | 941120335          | Warning Label .....                          | 1          |
| 7              | 564596001          | Rubber Bumper.....                             | 1          | 22             | 660031012          | Screw (M3.5 x 14 mm, T10 Torx Pan Hd.) ..... | 20         |
| 8              | 682014001          | Ball Bearing (6005 2Z).....                    | 1          | 23             | 563915001          | O-Ring.....                                  | 1          |
| 9              | 204846001          | Drum Assembly (Incl. Key No. 23) .....         | 1          | 24             | 351591001          | Feed Direction Selector Collar .....         | 1          |
| 10             | 206700001          | Motor and Gear Train Assembly .....            | 1          | 25             | 720409001          | Power Supply Cord.....                       | 1          |
| 11             | 204845001          | Front Handle Assembly (Incl. Key No. 21) ..... | 1          |                | <b>Not Shown</b>   |  |            |
| 12             | 533878001          | Latch .....                                    | 1          |                | 995000294          | Operator's Manual (P4002)                    |            |
| 13             | 533879001          | Spool.....                                     | 1          |                | 995000295          | Operator's Manual (P4002PS)                  |            |
| 14             | 533877002          | Forward/Reverse Button.....                    | 1          |                | 12-13-17           |  |            |
| 15             | 204843001          | Housing Assembly (Incl. Key Nos. 18-20).....   | 1          |                | (Rev:01)           |  |            |

RYOBI DRAIN AUGER – MODEL NUMBER P4002



WIRING DIAGRAM