

RYOBI
10 in. Sliding Compound
Miter Saw With Laser
Model No. P3650
Repair Sheet

ONE WORLD TECHNOLOGIES, INC.

1428 Pearman Dairy Road, Anderson, SC 29625 • Phone 1-800-525-2579
États-Unis, Téléphone 1-800-525-2579 • USA, Teléfono 1-800-525-2579

www.ryobitools.com

RYOBI 10 in. SLIDING COMPOUND MITER SAW – MODEL NO. P3650

The model number will be found on a label attached to the housing. Always mention the model number in all correspondence regarding your **MITER SAW** or when ordering replacement parts.

PARTS LIST – FIGURE A

KEY NO.	PART NUMBER	DESCRIPTION	QTY	KEY NO.	PART NUMBER	DESCRIPTION	QTY
1	089041038719	Lower Blade Guard Assembly w/Linkage, Torsion Spring & Internal Cap (Inc. Key Nos. 2 & 52)	1	29	089041013020	Screw (M4 x 28 mm, Pan Hd.).....	1
2	089100207097	No Hands Label	1	30	089041038053	Screw (M4 x 17 mm).....	1
3	089041038034	Cap	1	31	080016005071	Compression Spring	1
4	089041038047	Screw (M5 x 12 mm).....	2	32	080016005070	Compression Spring	1
5	089041038715	Motor Housing & Field Assembly.....	1	33	089041013016	Laser Lock.....	1
6	089110101078	Screw (M5 x 18 mm, Pan Hd.).....	4	34	089041013017	Laser Deck	1
7	089041038037	Upper Cap	1	35	089041038710	Laser Assembly.....	1
8	089041038902	Warning Label (English).....	1	36	089006017061	Screw (M4 x 12 mm, Pan Hd.).....	3
9	089041038717	Power Cord Connector Assembly	1	37	089041038709	Upper Blade Guard Assembly (Inc. Key Nos. 40-42).....	1
10	089041038718	Carry Handle Assembly	1	38	089041038035	Screw (M5 x 22 mm)	4
11	089041038027	Screw (M4 x 12 mm, Pan Hd.).....	17	39	089006017057	Screw (M5 x 20 mm)	4
12	089041038036	Outer Cap	1	40	080016005908	Logo Label	2
13	089041038022	Laser Switch.....	1	41	080016005906	Lower Guard Warning Label	1
14	089006017041	Screw (M4 x 10 mm).....	1	42	080016005904	Apertrue Warning Label	1
15	089006017040	Screw (M5, Special)	1	43	089041038020	Laser Wire Cap.....	1
16	089006017051	Screw (M4x 16 mm, Round Hd.)	2	44	080016005003	Screw (M4 x 10 mm).....	2
17	089041038059	Screw (M5 x 15 mm, Pan Hd.).....	4	45	089041038032	Screw (M5 x 50 mm)	1
18	089006017064	Arbor Screw (M8 x 20 mm)	1	46	089041038033	Screw (M5 x 92 mm)	1
19	089006017043	Blade Washer	1	47	089041038046	Screw (M5 x 10 mm).....	1
20	089041038002	Blade	1	48	089041038713	Trigger Assembly.....	1
21	080016005018	Laser Cap	1	49	089110102141	Hex Nut (M5)	1
22	080016005019	Laser Deck	1	50	089041038711	D-Handle Assembly	1
23	089041038028	Inner Cap	1	51	089041038714	Armature Assembly.....	1
24	089041038045	Screw (M5 x 15 mm, Pan Hd.).....	2	52	089100207051	Arbor Screw Instruction Label	1
25	089041038050	Screw (M4 x 10 mm).....	2	53	089041038057	Screw (M4 x 20 mm, Pan Hd)	1
26	089041038708	Arbor Assembly.....	1	Not Shown:			
27	089041038712	Switch Assembly.....	1	991000912	Operator's Manual		
28	089006017042	Screw (M6, Special)	1	3-3-17			
				(Rev:02)			

RYOBI 10 in. SLIDING COMPOUND MITER SAW – MODEL NO. P3650

The model number will be found on a label attached to the housing. Always mention the model number in all correspondence regarding your **MITER SAW** or when ordering replacement parts.

PARTS LIST – FIGURE B

KEY NO.	PART NUMBER	DESCRIPTION	QTY	KEY NO.	PART NUMBER	DESCRIPTION	QTY
1	080016005003	Screw (M4 x 10 mm).....	4	19	080016005061	Front Cap.....	1
2	080016005004	Dust Chute.....	1	20	080016005047	Felt Washer.....	4
3	080016005006	Compression Spring.....	1	21	089041038006	Screw (M6 x 12 mm, Hex Hd.).....	2
4	080016005005	Pivot Spring Bushing.....	1	22	089006017035	Washer (ID10 x OD26 x 2t).....	1
5	080016005010	Dust Tube.....	1	23	089041038706	Slide Bracket Assembly.....	1
6	089041038054	Screw (M8 x 12 mm, Hex Soc. Hd.).....	1	24	089041038003	Bevel Detent Pin.....	1
7	080016005706	Dust Bag Assembly.....	1	25	089292001083	E-ring.....	1
8	089290001102	C-Ring.....	2	26	089292001082	O-ring (D10.6 x D6.8 x 1.9).....	1
9	080016005007	Spindle.....	1	27	089041038052	Miter Gauge Knob.....	1
10	080016005055	End Cap.....	1	28	080016005049	Adjust Pad.....	4
11	080016005062	Spring Pin.....	2	29	080016005048	Bumper.....	2
12	089041038705	Knuckle Assembly.....	1	30	080016005014	Bevel Indicator.....	1
13	080016005043	Lock Pin Knob.....	1	31	089006017066	Washer (ID4 x OD8 x 1t).....	1
14	089041038058	Lock Washer.....	1	32	080016005013	Screw (M4 x 6 mm, Pan Hd.).....	1
15	080016005017	Lock Nut (M10).....	1	33	080016005053	Hex Nut (M8).....	4
16	080016005016	Bevel Lock Lever.....	1	34	080016005054	Screw (M8 x 20 mm).....	4
17	080016005057	Rear Cap.....	1	35	089041038042	Washer (ID10 x OD20 x 2t).....	2
18	080016005056	Screw (M5 x 12 mm, Pan Hd.).....	2				

RYOBI 10 in. SLIDING COMPOUND MITER SAW – MODEL NO. P3650

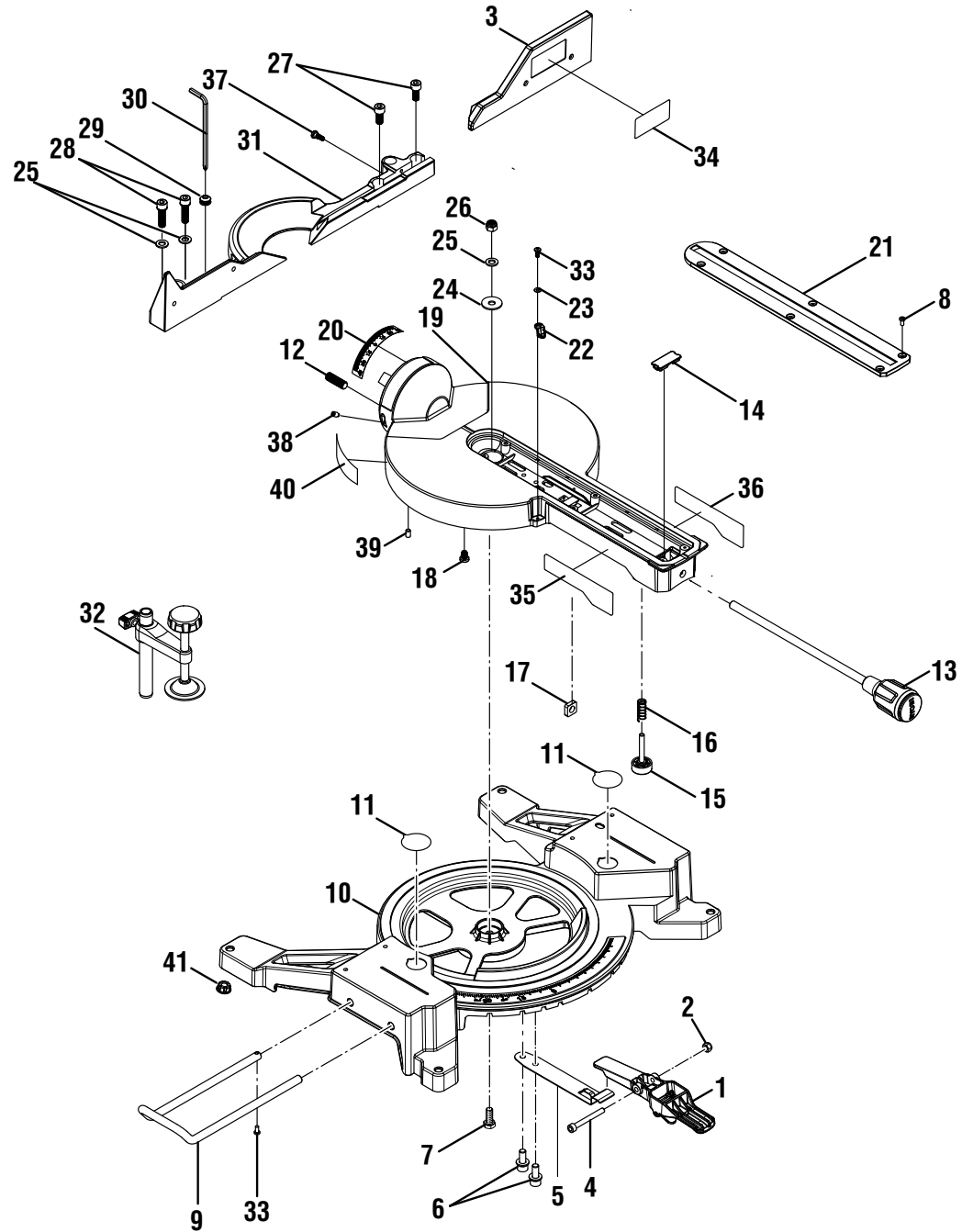


FIGURE C

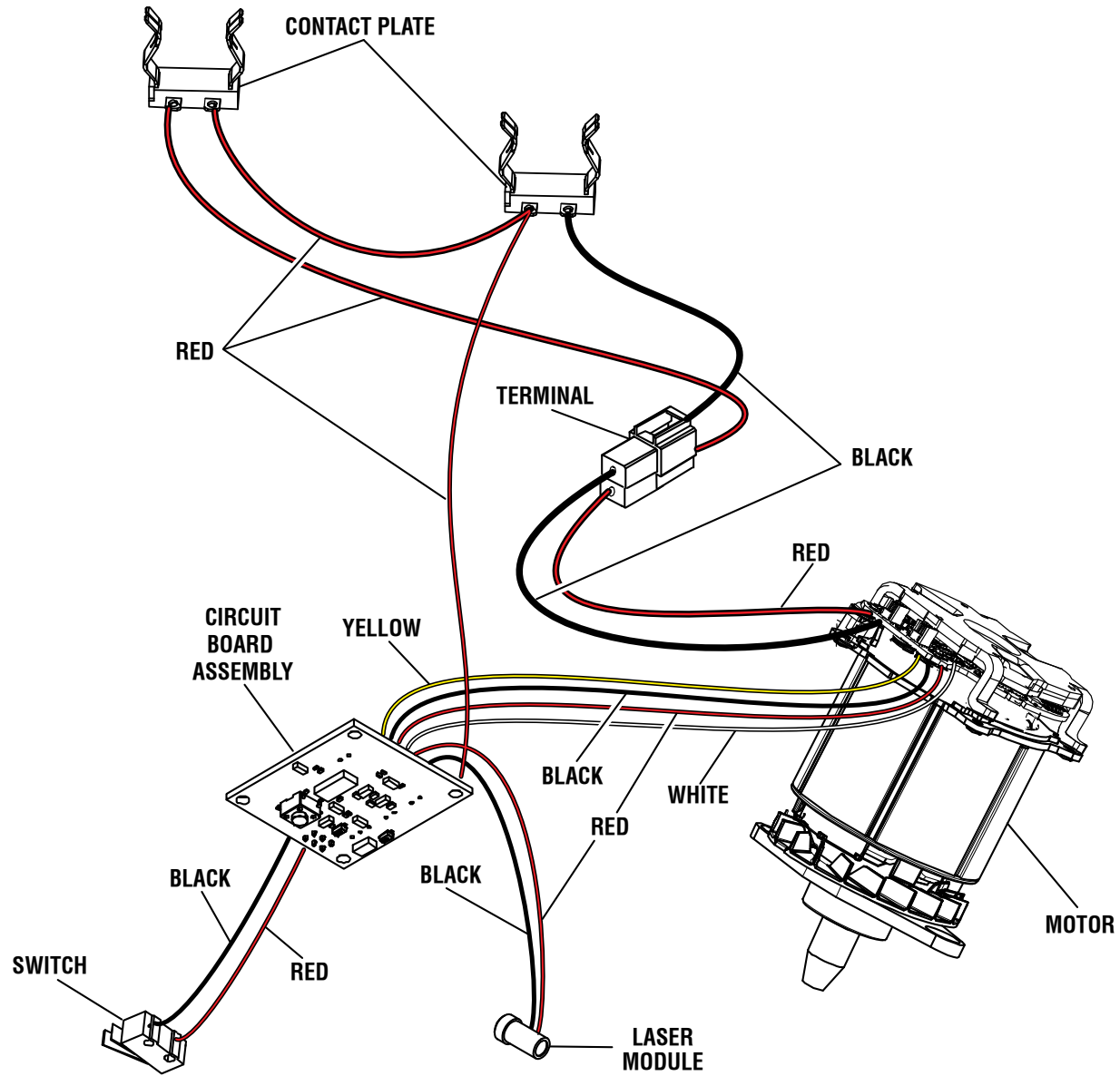
RYOBI 10 in. SLIDING COMPOUND MITER SAW – MODEL NO. P3650

The model number will be found on a label attached to the housing. Always mention the model number in all correspondence regarding your **MITER SAW** or when ordering replacement parts.

PARTS LIST – FIGURE C

KEY NO.	PART NUMBER	DESCRIPTION	QTY	KEY NO.	PART NUMBER	DESCRIPTION	QTY
1	080016005707	Quick Positioning Assembly.....	1	20	089041038905	Bevel Scale.....	1
2	089006017081	Hex Nut (M6).....	1	21	089041038001	Throat Plate	1
3	089041038703	Sliding Miter Fence Assembly (Inc. Key No. 34)	1	22	080016005037	Miter Indicator	1
4	080016005026	Screw (M6 x 50 mm, Hex Soc. Hd.).....	1	23	089006017066	Washer (OD8 x ID4 x 1t).....	1
5	080016005027	Positioning Spring	1	24	089006017071	Washer (OD21.9 x ID8.25 x 1.5t).....	1
6	080016005025	Screw (M6 x 20 mm, Hex Hd.).....	2	25	089006017020	Washer (OD16 x ID8 x 1.5t).....	3
7	089006017007	Screw (M8 x 20 mm, Hex Hd.).....	1	26	089006017021	Hex Nut (M8).....	1
8	080016005003	Screw (M4 x 10 mm).....	6	27	089041035023	Screw (M8 x 20 mm, Hex Soc Button Hd.)	2
9	089041038723	Optional Extension Rod Assembly (Inc. Key No. 33)	2	28	080016005039	Screw w/Washer (M8 x 35 mm, Hex Soc. Hd.) ..	2
10	089041038724	Base Assembly (Inc. Key Nos. 11 & 41)	1	29	089006017008	Hex Key Holder	1
11	089100207097	No Hands Label.....	2	30	089006017009	Hex Key Wrench (5 mm, Pan Hd.).....	1
12	080016005035	Bevel Bolt (M10 x 81.5 mm)	1	31	089041038007	Fence.....	1
13	080016005709	Lock Lever w/Cap Assembly.....	1	32	089041038721	Work Clamp Assembly	1
14	080016005036	Table Cap.....	1	33	089006017015	Screw (M4 x 12 mm).....	3
15	089041038061	Support Knob	1	34	089041016903	Extension Table Warning Label	1
16	080016005029	Compression Spring.....	1	35	089041038901	Warning Label (Left).....	1
17	080016005030	Square Nut (M10).....	1	36	089041038904	Warning Label (Right)	1
18	080016005034	Table Turring Pad.....	10	37	089041038044	Screw (M5 x 12 mm, Pan Hd.).....	1
19	089041038702	Table Assembly (Inc. Key Nos. 12, 18, 20, 35-36 & 38-40)	1	38	089041038006	Screw (M6 x 12 mm).....	1
				39	089041038043	Screw (M6 x 8 mm).....	1
				40	089041038903	Data Label	1
				41	089041038051	Base Footpad	4

RYOBI 10 in. SLIDING COMPOUND MITER SAW – MODEL NO. P3650



WIRING DIAGRAM