

RYOBI
18 Volt Fogger
Item No. P2805
Mfg. No. 107834001
Repair Sheet

TECHTRONIC INDUSTRIES POWER EQUIPMENT

P.O. Box 1288, Anderson, SC 29622 USA
1-800-860-4050 • www.ryobitools.com

RYOBI 18 VOLT FOGGER – MODEL NO. P2805

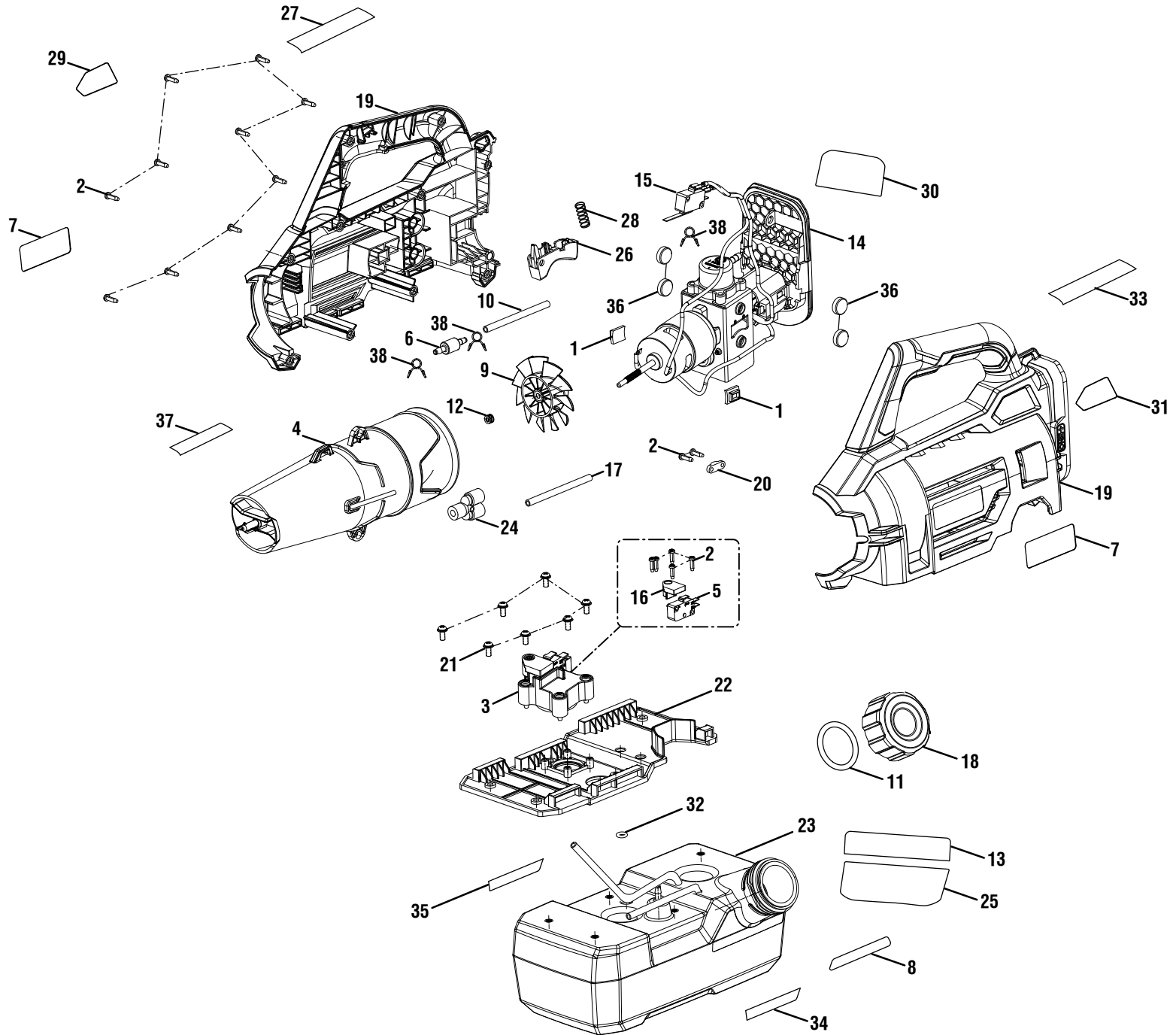


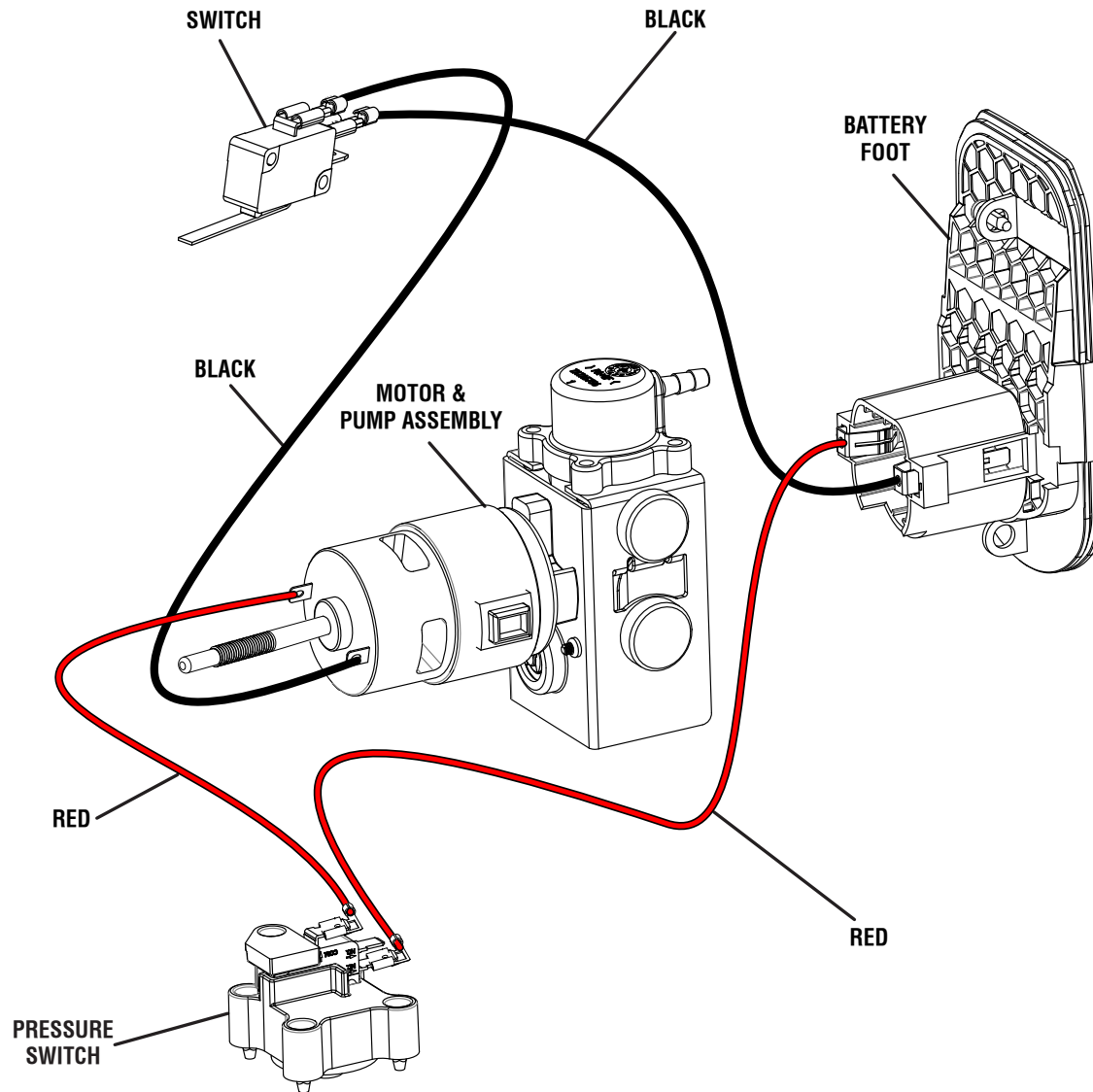
FIGURE A

RYOBI 18 VOLT FOGGER – MODEL NO. P2805

The model number will be found on a label attached to the battery foot. Always mention the model number in all correspondence regarding your fogger or when ordering replacement parts.

PARTS LIST – FIGURE A

KEY NO.	PART NUMBER	DESCRIPTION	QTY	KEY NO.	PART NUMBER	DESCRIPTION	QTY
1	564045001	Rubber Plate.....	2	20	523001003	Strain Relief Plate.....	1
2	661817001	Screw (M4 x 14 mm, T-15 Torx Pan Hd.).....	17	21	660502002	Screw w/Washer (M5 x 11 mm)	7
3	314735001	Pressure Switch Assembly (Inc. Key Nos. 2, 5, 16 & 22)	1	22	536262001	Tank Mounting Plate.....	1
4	314736001	Stator Tube Assembly	1	23	314733001	Tank Assembly (Inc. Key Nos. 8, 13, 25 & 34-35).....	1
5	760689006	Pressure Switch	1	24	536168001	Y Connector	1
6	313842001	Backflow Valve	1	25	941851077	Warning Label	1
7	941851055	Logo Label	2	26	529209002	Switch Trigger	1
8	941588307	Max Fill Label	1	27	941851058	Icon Warning Label	1
9	536140001	Fan.....	1	28	679002002	Compression Spring	1
10	564863001	Tube (OD6.35 x ID4.0).....	1	29	941851054	18 Volt Label (Right)	1
11	564852001	O-Ring	1	30	941851052	Data Label	1
12	635762001	Wavy Spring	1	31	941851053	18 Volt Label (Left).....	1
13	941851075	Danger Label.....	1	32	565004001	O-Ring.....	1
14	314732001	Motor, Pump, Switch & Battery Foot Assembly (Inc. Key Nos. 15 & 30).....	1	33	941851076	Icon Warning Label	1
15	760034006	Switch.....	1	34	940851448	Do Not Overfill Label (English)	1
16	536265001	Bracket	1	35	940851449	Do Not Overfill Label (French/Spanish)	1
17	564865001	Tube (OD6.35 x ID4.0).....	1	36	564887001	Rubber Cap	4
18	314734001	Tank Cap Assembly (Inc. Key No. 11)	1	37	941588306	Defender Label.....	1
19	314731001	Housing Assembly (Inc. Key Nos. 7, 27, 29, 31 & 33).....	1	38	690700005	Hose Clips	3
					Not Shown:		
					995000591	Operator's Manual	
					5-13-19		
					(Rev:04)		



WIRING DIAGRAM