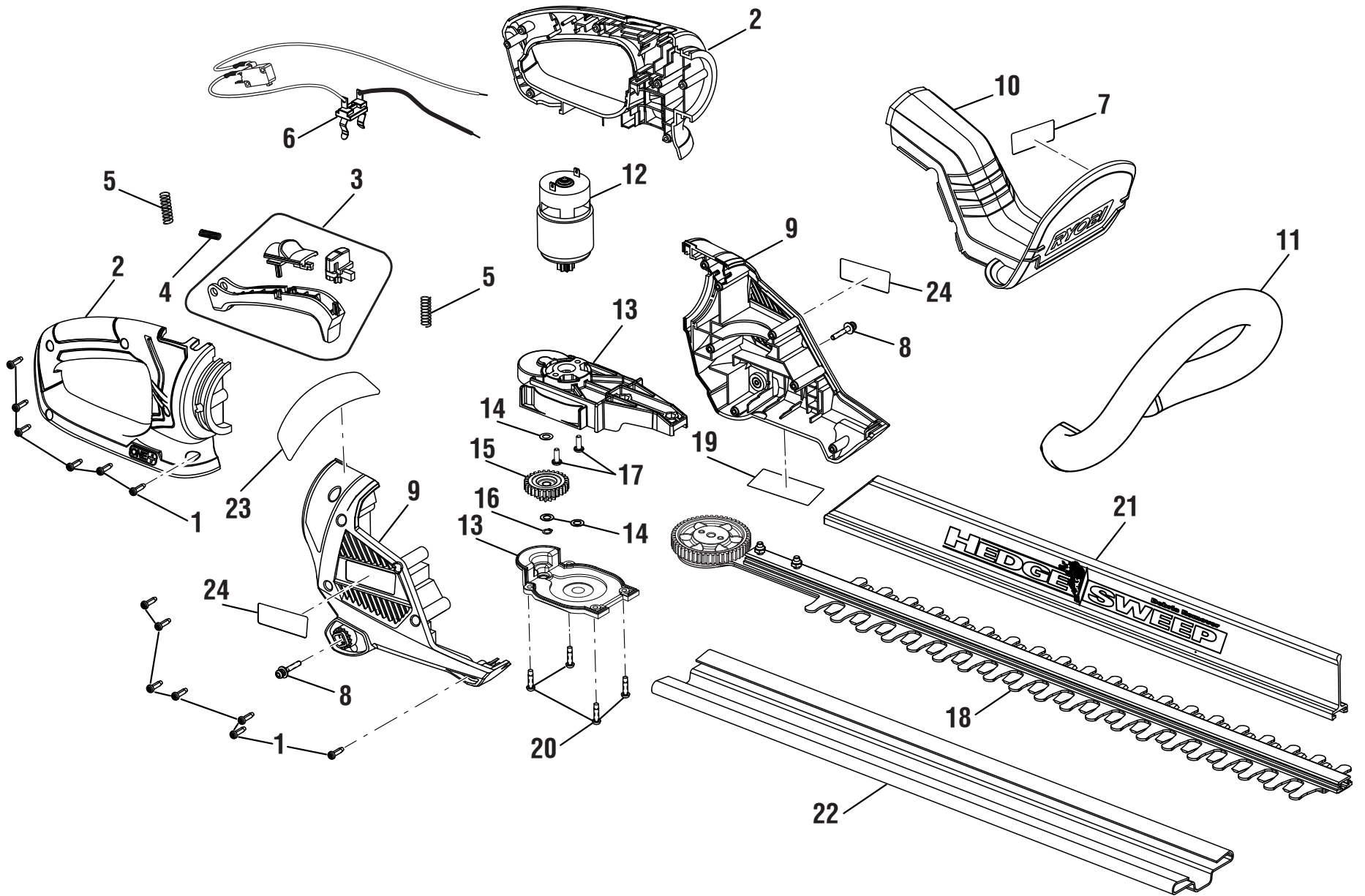


**RYOBI 18 VOLT HEDGE TRIMMER**  
**ITEM NO. P2606**  
**MFG NO. 107266001**  
**REPAIR SHEET**

RYOBI 18 VOLT HEDGE TRIMMER – ITEM NO. P2606



**RYOBI 18 VOLT HEDGE TRIMMER – ITEM NO. P2606**

The item number and manufacturing number will be found on a label attached to the upper boom. Always mention the item number and manufacturing number in all correspondence regarding your **HEDGE TRIMMER** or when ordering replacement parts.

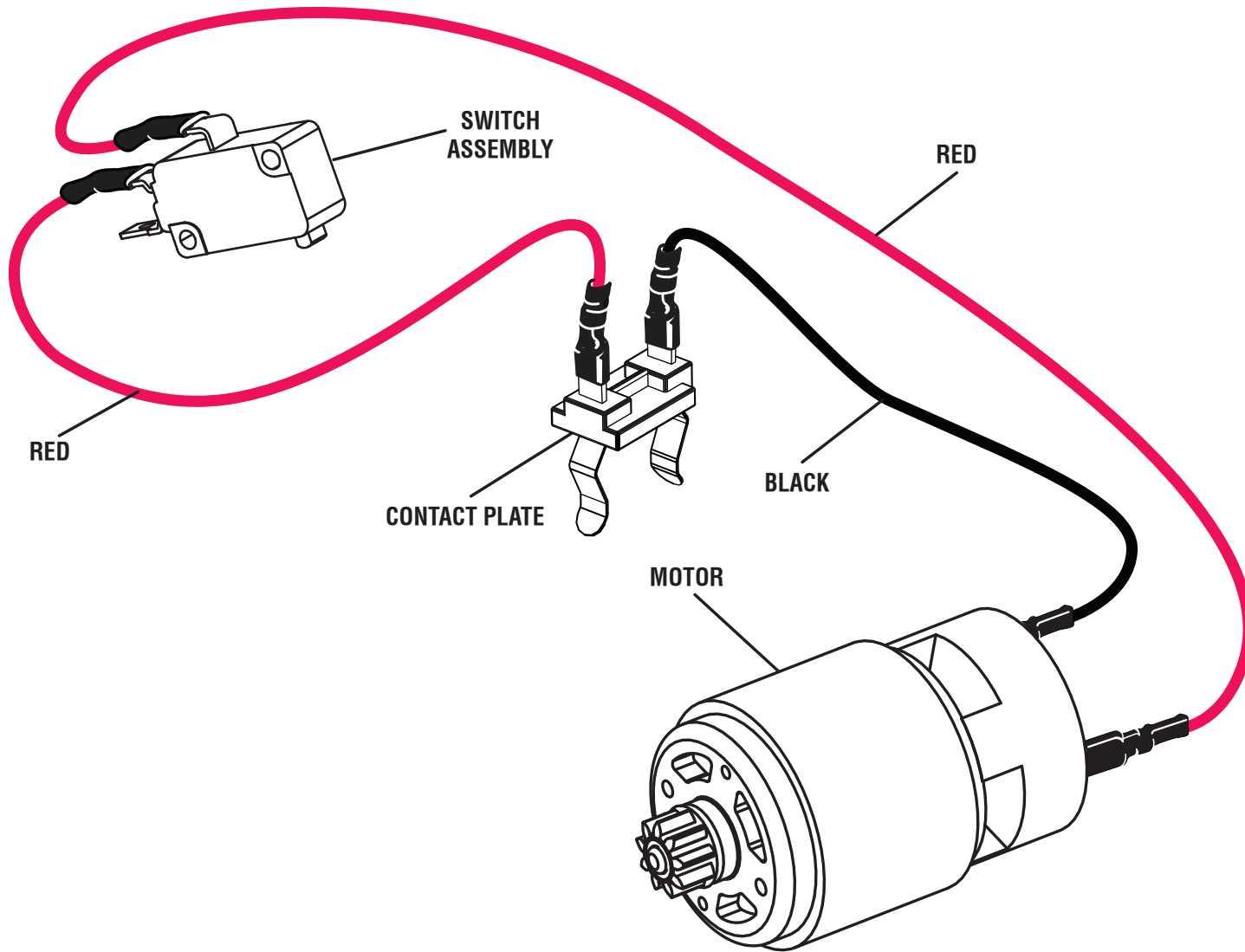
**PARTS LIST**

<b>KEY NO.</b>	<b>PART NUMBER</b>	<b>DESCRIPTION</b>	<b>QTY</b>
1	661817001	Screw (M4 x 14 mm, T15 Torx Pan Hd.).....	13
2	311825001	Handle Assembly.....	1
3	311829001	Trigger Assembly.....	1
4	679055007	Compression Spring.....	1
5	679055008	Compression Spring.....	2
6	311827001	Wiring Harness.....	1
7	940657182	Warning Icon Label.....	1
8	660137010	Screw w/Washers (M4 x 26 mm, T15 Torx Pan Hd.).....	2
9	311824001	Housing Assembly (Inc. Key Nos. 23-25).....	1
10	311830001	Top Cover Assembly (Inc. Key Nos. 9).....	1
11	529546001	Front Handle.....	1
12	311828001	Motor and Pinion Assembly.....	1
13	307878001	Gear Box w/Cover Assembly.....	1
14	670914001	Washer (M6, OD11 x ID6.2 x 0.3t).....	3
15	610114001	Center Gear.....	1
16	670704001	Retaining Ring.....	1
17	660137001	Screw w/Tooth Washer (M4 x 12 mm, Pan Hd.).....	2
18	311826001	Blade Assembly.....	1
19	941588102	Data Label.....	1
20	660208052	Screw (M4 x 16 mm, Pan Hd.).....	4
21	526799004	Hedge Sweep.....	1
22	525406005	Blade Shield.....	1
23	940851098	Rotating Handle Label.....	1
24	940705306	Logo Label.....	2

**Not Shown:**

991000689 Operator's Manual  
 11-5-15  
 (Rev:01)

RYOBI 18 VOLT HEDGE TRIMMER – ITEM NO. P2606



WIRING DIAGRAM