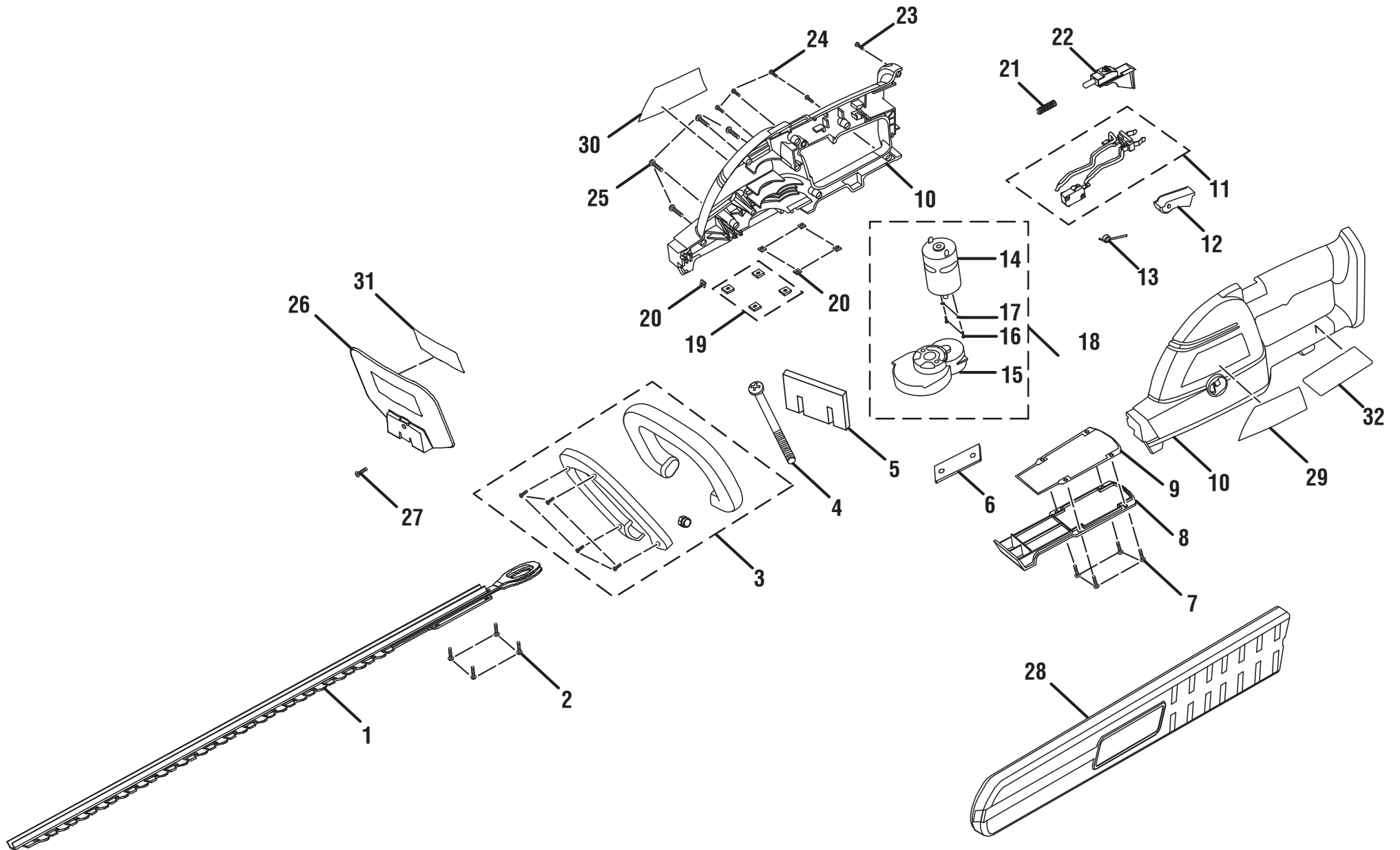


RYOBI 18 VOLT HEDGE TRIMMER – MODEL NUMBER P2600/P2600A



RYOBI 18 VOLT HEDGE TRIMMER – MODEL NUMBER P2600/P2600A

The model number will be found on a plate attached to the motor housing. Always mention the model number in all correspondence regarding your **HEDGE TRIMMER** or when ordering repair parts.

PARTS LIST

KEY NO.	PART NUMBER	DESCRIPTION	QTY	KEY NO.	PART NUMBER	DESCRIPTION	QTY
1	3013214	CUTTER BLADE ASSEMBLY.....	1	21	6791801	COMPRESSION SPRING	1
2	6613702	SCREW (M4 X 16 mm).....	4	22	5205604	TRIGGER LOCK.....	1
3	200073006	HANDLE ASSEMBLY	1	23	6620801	SCREW (M4 X 12 mm).....	1
4	660131001	SCREW (M4 X 100 mm).....	1	24	6620805	SCREW (M4 X 16 mm PAN HD.).....	4
5	560190011	SPONGE SEAL	1	25	6620803	SCREW (M4 X 22 mm PAN HD,).....	4
6	6940501	BAR PLATE	1	26	590141003	BLADE GUARD	1
7	6613701	SCREW (M4 X 12 mm).....	4	27	6603301	SCREW (M4 X 12 mm).....	1
8	520058008	BLADE COVER	1	28	520059002	BLADE COVER	1
9	590188001	RUBBER SEAL	1	29	940263159	LOGO LABEL.....	1
10	200208008	HOUSING ASSEMBLY	1	30	940303260	DATA LABEL (P2600)	1
11	270011079	SWITCH ASSEMBLY	1		940304478	DATA LABEL (P2600A).....	1
12	5205506	TRIGGER	1	31	940077084	BLADE GUARD LABEL.....	1
13	6794201	TRIGGER SPRING.....	1	32	960059101	HANG TAG.....	1
14	2303335	MOTOR ASSEMBLY	1	NOT SHOWN:			
15	301705001	GEAR TRAIN ASSEMBLY	1	P100	Ni-Cd Battery Pack (130224053)		
16	660137001	SCREW (M4 X 12 mm).....	2	P104	Li-ion Battery Pack (130429001, 130429002)		
17	670704001	RETAINING RING (EXTERNAL).....	2	P110	Ni-Cd Charger (1423701, 140237021, 140237023)		
18	210010041	MOTOR & GEAR TRAIN ASSEMBLY (INC. KEY NOS. 14-17).....	1	P113	Ni-Cd/Li-ion Charger (140501001,140501005)		
19	660561001	SQUARE NUT (M4 X 15 X 10.9).....	4	983000846	P2600 ONLY OPERATOR'S MANUAL (960930102) P2600/P2600A OPERATOR'S MANUAL (960009394)		
20	660126001	SQUARE NUT (M4 X 2.2 mm).....	5	3-5-13 (REV:04)			

WARNING: Improper repair of a double insulated tool can result in damage to the double insulation system possibly causing electrical shock or electrocution. Any repairs requiring disassembly of your tool requires safety testing and should only be performed by a Ryobi Authorized Service Center. For the service center nearest you call 1-800-860-4050.