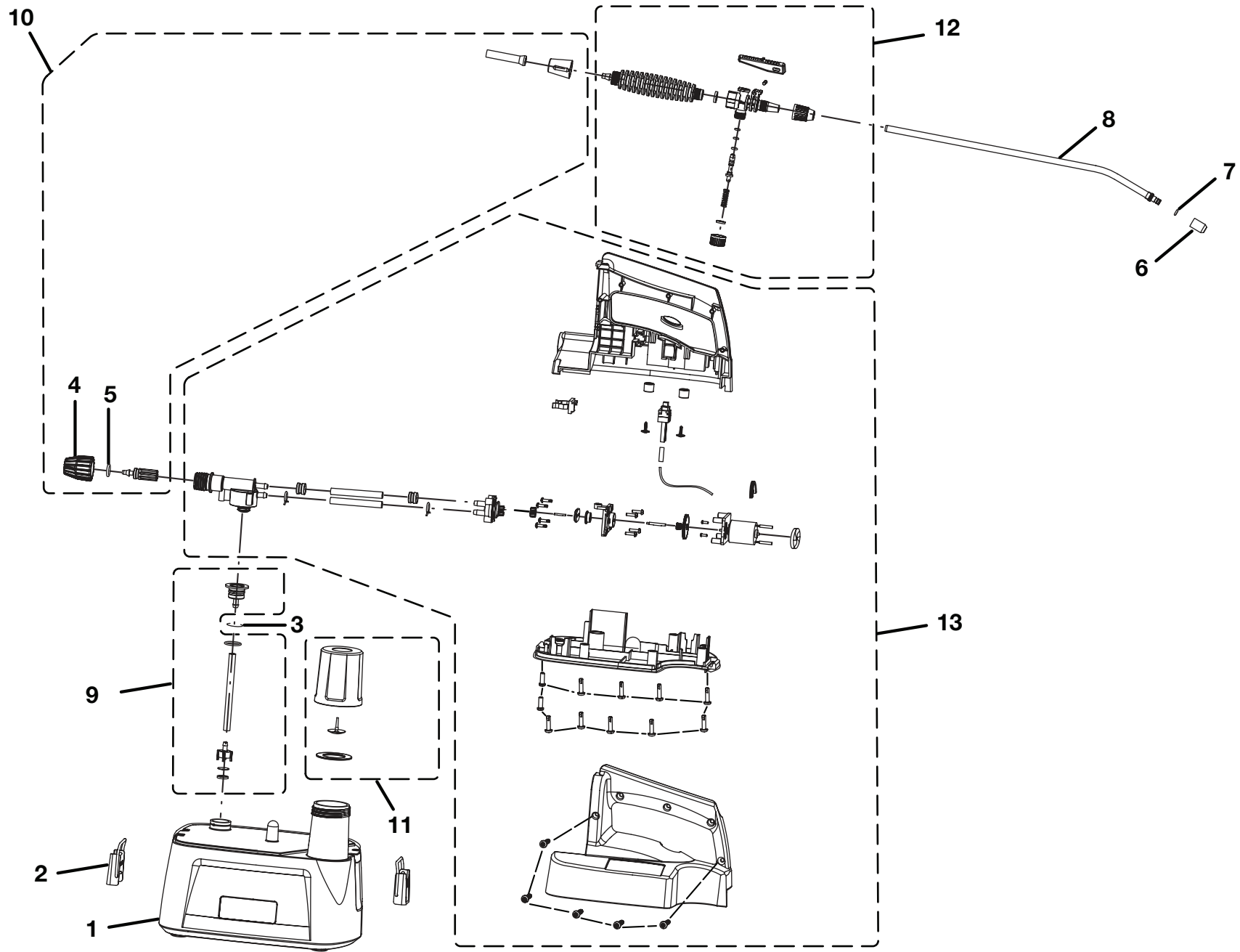


RYOBI 18 VOLT CHEMICAL SPRAYER – MODEL NUMBER P2400



## RYOBI 18 VOLT CHEMICAL SPRAYER – MODEL NUMBER P2400

The model number will be found on a plate attached to the motor housing. Always mention the model number in all correspondence regarding your **RYOBI CHEMICAL SPRAYER** or when ordering repair parts.

### PARTS LIST

KEY NO.	PART NUMBER	DESCRIPTION	QTY
1	099022001001	TANK.....	1
2	099022001002	LATCH ASSEMBLY.....	1
3	099022001008	C-RING.....	1
4	099022001010	HOSE HOLD CAP.....	1
5	099022001011	O-RING.....	1
6	099022001059	NOZZLE.....	1
7	099022001060	O-RING.....	1
8	099022001061	BRASS TUBE.....	1
9	099022001063	FILTERING ASSEMBLY.....	1
10	099022001064	HOSE ASSEMBLY (INC. KEY NOS. 4 AND 5).....	1
11	099022001065	MEASURING CAP ASSEMBLY.....	1
12	099022001066	WAND HANDLE ASSEMBLY.....	1
13	099022001067	HOUSING WITH PUMP ASSEMBLY.....	1
14	099022001069	SECURITY LABEL (NOT SHOWN).....	1
15	099022001070	WARNING LABEL (NOT SHOWN).....	1
16	099022001071	DATA LABEL (NOT SHOWN).....	1
17	099022001072	LOGO LABEL (NOT SHOWN).....	1
	987000021	OPERATOR'S MANUAL	
	12-23-06		
	(REV:00)		

**\* STANDARD HARDWARE ITEM – MAY BE PURCHASED LOCALLY**