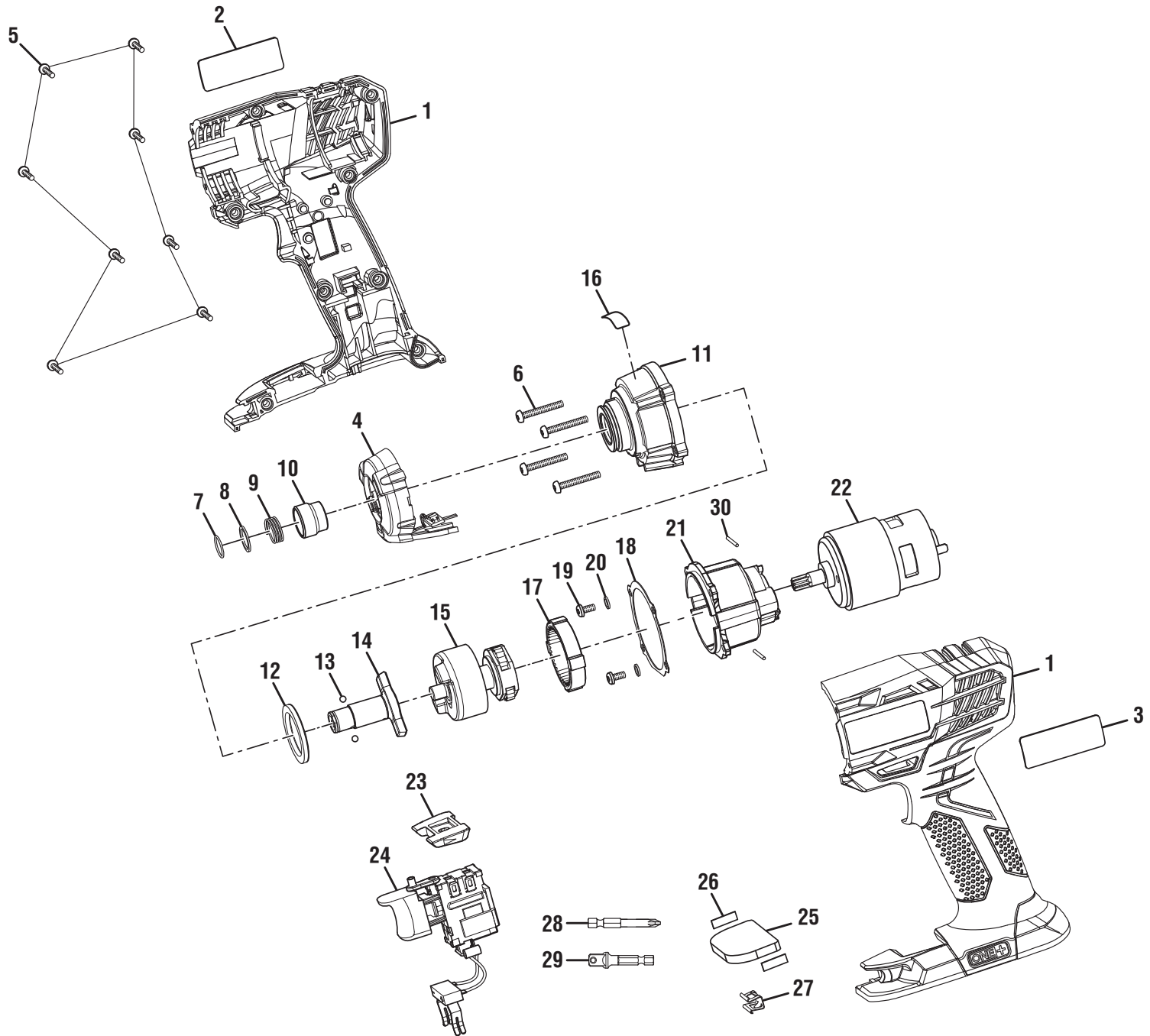


RYOBI 18 VOLT IMPACT DRIVER – MODEL NUMBER P236A



RYOBI 18 VOLT IMPACT DRIVER – MODEL NUMBER P236A

The model number will be found on a label attached to the motor housing. Always mention the model number in all correspondence regarding your **IMPACT DRIVER** or when ordering repair parts.

PARTS LIST

KEY NO.	PART NUMBER	DESCRIPTION	QTY	KEY NO.	PART NUMBER	DESCRIPTION	QTY
1	202598001	Housing Assembly (Inc. Key Nos. 2-3).....	1	18	902807001	Plate	1
2	941121165	Data Label	1	19	660212046	Screw (M4 x 8 mm)	2
3	940114178	Logo Label.....	1	20	670030004	Spring Washer	2
4	291207001	LED Assembly	1	21	202720001	Inner Case	1
5	660031011	Screw (M3.5 x 16 mm)	8	22	230377002	Motor and Pinion Assembly	1
6	660436006	Screw (M4 x 25 mm)	4	23	523179001	Forward/Reverse Selector.....	1
7	690258001	Retaining Ring	1	24	270016166	Switch Assembly	1
8	690266001	Washer (OD15.4 mm x ID12.4 mm x 1t).....	1	25	300823003	Magnet Assembly (Inc. Key No. 26)	1
9	690261001	Spring	1	26	560444002	Foam Rubber.....	2
10	690260026	Sleeve.....	1	27	630206007	Bit Clip.....	1
11	202719001	Gear Case and Sleeve Bearing Assembly.....	1	28	670800058	Bit (#2 Phillips x 50 mm).....	1
12	634680001	Washer	1	29	690884005	3/8 in. Socket Adaptor	1
13	690268001	Steel Ball	2	30	680334036	Pin	2
14	692822003	Bit Holder	1	NOT SHOWN:			
15	202654001	Cam Shaft and Hammer Assembly.....	1	990000665	Operator's Manual.....		1
16	940221063	Warning Label	1	7-26-13			
17	610449026	Internal Gear.....	1	(REV:01)			