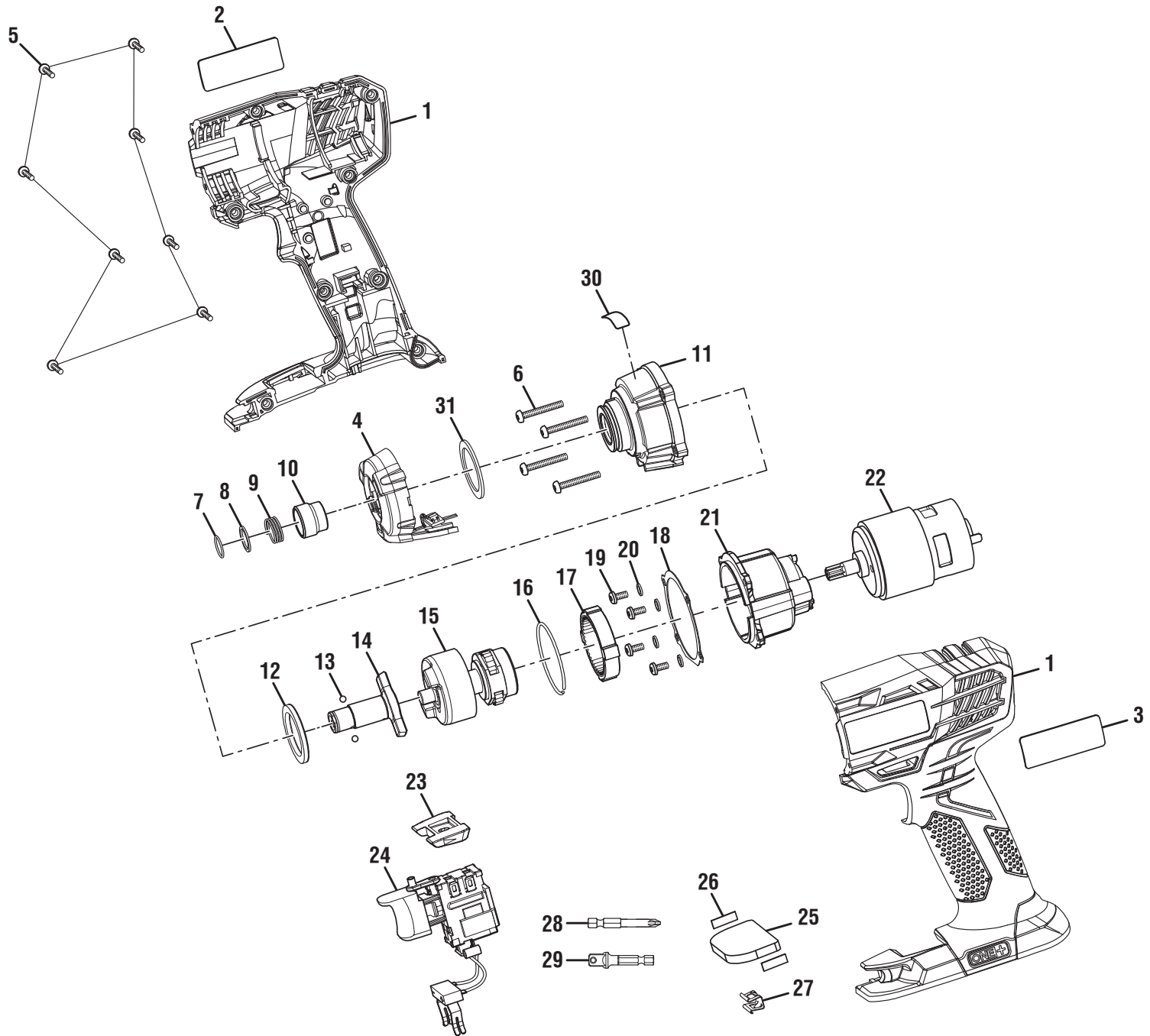


RYOBI 18 VOLT IMPACT DRIVER – MODEL NUMBER P236



## RYOBI 18 VOLT IMPACT DRIVER – MODEL NUMBER P236

The model number will be found on a label attached to the motor housing. Always mention the model number in all correspondence regarding your **IMPACT DRIVER** or when ordering repair parts.

### PARTS LIST

KEY NO.	PART NUMBER	DESCRIPTION	QTY	KEY NO.	PART NUMBER	DESCRIPTION	QTY
1	201986002	Housing Assembly (Inc. Key Nos. 2-3 and 30)...	1	19	660212045	Screw (M4 x 7 mm) .....	4
2	940488328	Data Label .....	1	20	670030004	Spring Washer .....	4
3	940114178	Logo Label.....	1	21	641775001	Inner Case .....	1
4	291056001	LED Assembly .....	1	22	230377001	Motor and Pinion Assembly .....	1
5	660031011	Screw (M3.5 x 16 mm) .....	8	23	523179001	Forward/Reverse Selector.....	1
6	660436006	Screw (M4 x 25 mm) .....	4	24	270016166	Switch Assembly .....	1
7	690258001	Retaining Ring .....	1	25	303001015	Magnet Assembly (Inc. Key No. 26) .....	1
8	690266001	Washer (OD15.4 mm x ID12.4 mm x 1t).....	1	26	560444002	Foam Rubber.....	2
9	690261001	Spring .....	1	27	6320601	Bit Clip.....	1
10	690260026	Sleeve.....	1	28	670802045	Bit (#2 Phillips).....	1
11	300639028	Gear Case and Sleeve Bearing Assembly.....	1	29	690884005	3/8 in. Socket Adaptor .....	1
12	517868001	Washer .....	1	30	940221063	Warning Label .....	1
13	690268001	Steel Ball .....	2	31	562753001	Foam Rubber Pad .....	1
14	692822003	Bit Holder .....	1	<b>NOT SHOWN:</b>			
15	300640017	Cam Shaft and Hammer Assembly.....	1	988000661	Operator's Manual.....		1
16	690256001	Retaining Ring .....	1	12-19-11			
17	610449011	Internal Gear.....	1	(REV:02)			
18	902578001	Plate .....	1				