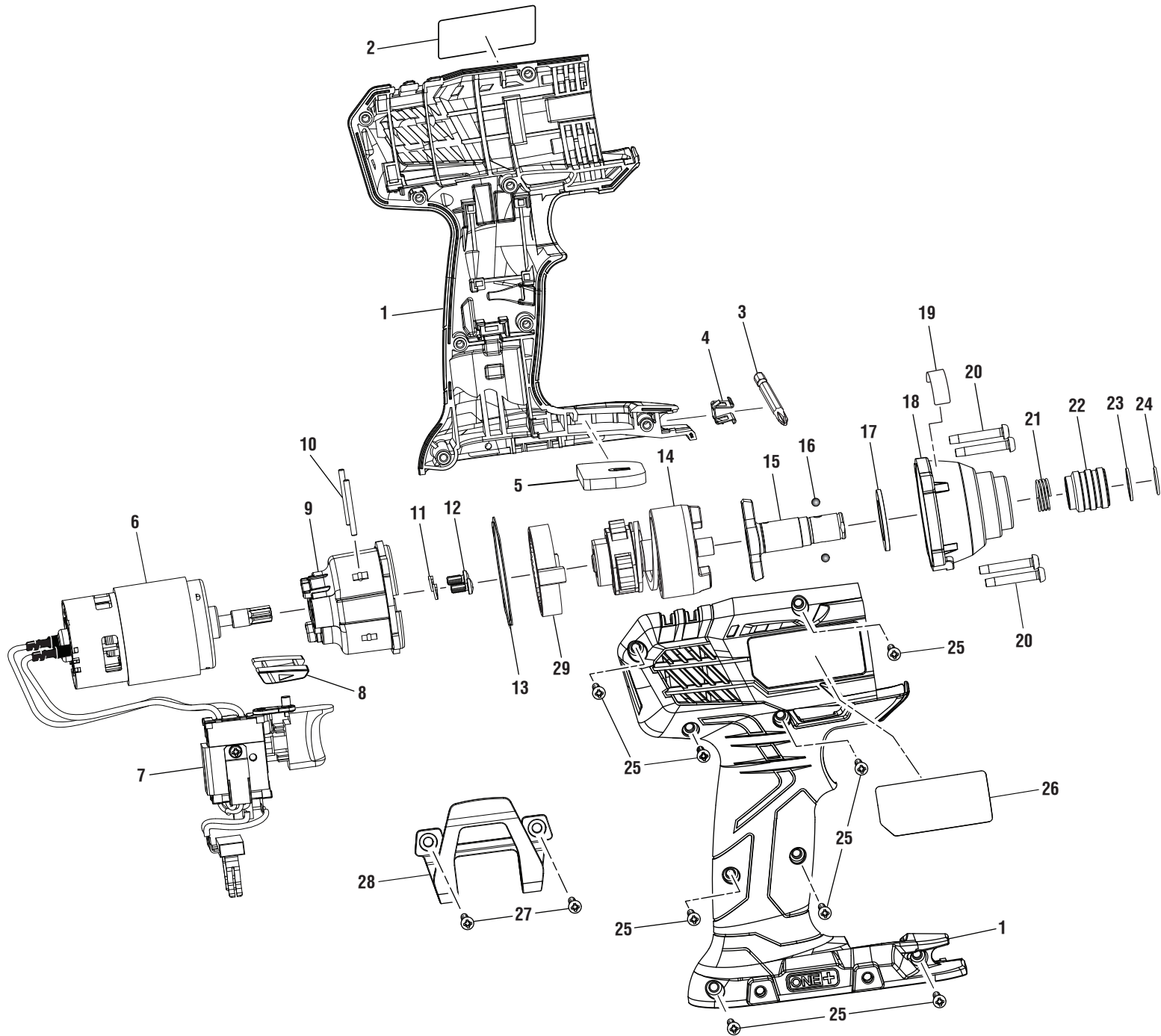


**RYOBI
18 VOLT IMPACT DRIVER
MODEL NUMBER P235
REPAIR SHEET**

RYOBI 18 VOLT IMPACT DRIVER – MODEL NUMBER P235



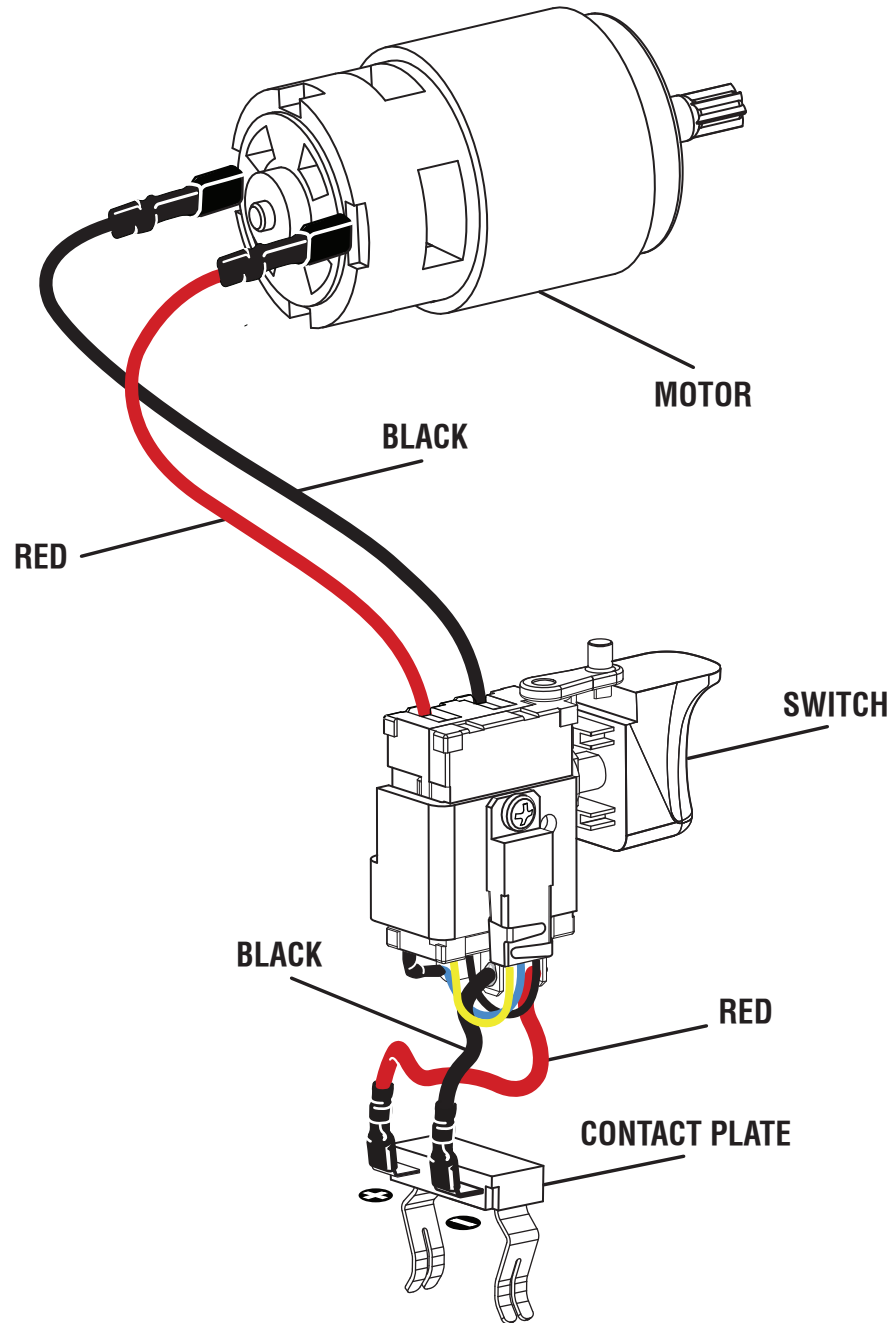
RYOBI 18 VOLT IMPACT DRIVER – MODEL NUMBER P235

The model number will be found on a label attached to the motor housing. Always mention the model number in all correspondence regarding your **IMPACT DRIVER** or when ordering repair parts.

PARTS LIST

KEY NO.	PART NUMBER	DESCRIPTION	QTY	KEY NO.	PART NUMBER	DESCRIPTION	QTY
1	204167001	Housing Assembly.....	1	18	204167002	Gear Case and Sleeve Bearing Assembly.....	1
2	940114178	Logo Label.....	1	19	940221063	Warning Label	1
3	670800058	Bit (Phillips #2 x 50 mm).....	1	20	660436005	Screw (M4 x 25.4 mm, T-20 Torx, Pan Hd.).....	4
4	630206007	Bit Clip.....	1	21	690261001	Compression Spring.....	1
5	303001015	Magnet	1	22	690260003	Coupler.....	1
6	204167005	Motor and Pinion Assembly	1	23	690266001	Washer (OD15.4 mm x ID12.4 mm x 1t).....	1
7	270001671	Switch Assembly	1	24	690258001	Retaining Ring	1
8	519079001	Forward/Reverse Selector.....	1	25	660206042	Screw (M3.5 x 16 mm, Pan Hd.)	8
9	204167004	Inner Case Assembly.....	1	26	941121663	Data Label	1
10	680334036	Pin	2	27	660212057	Screw (M4 x 7 mm, Pan Hd.)	2
11	670030004	Spring Washer	2	28	633586009	Belt Clip.....	1
12	660212046	Screw (M4 x 8 mm, Pan Hd.)	2	29	610449039	Ring Gear	1
13	901043001	Plate	1	NOT SHOWN			
14	204167003	Cam Shaft and Hammer Assembly	1	991000794	Operator's Manual (961152588)		
15	690257016	Bit Holder	1	5-4-16			
16	690268001	Steel Ball (3.5 mm)	2	(Rev:01)			
17	690249001	Washer (OD29 mm x ID19 mm x 2t).....	1				

RYOBI 18 VOLT IMPACT DRIVER – MODEL NUMBER P235



WIRING DIAGRAM