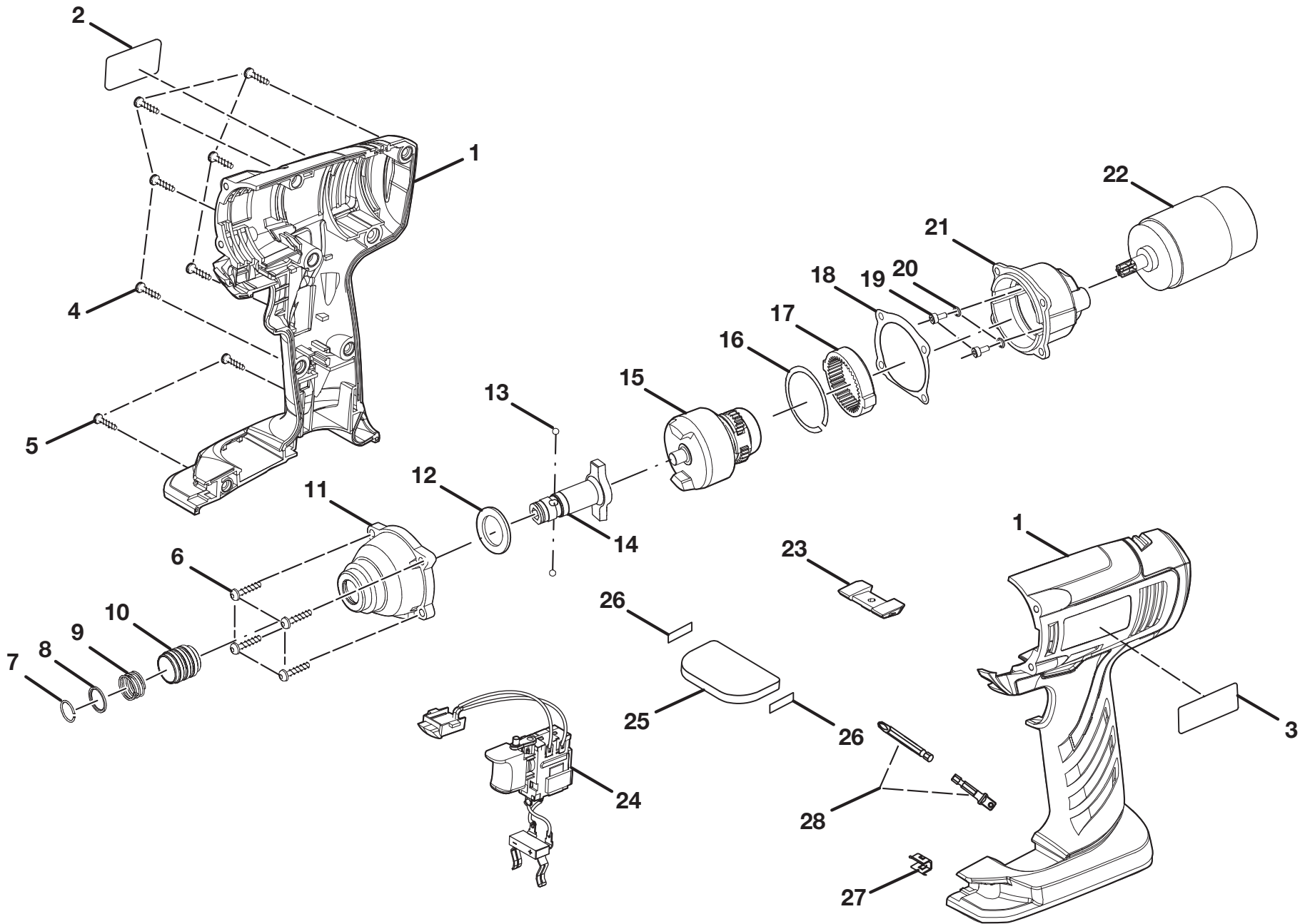


RYOBI 18 VOLT IMPACT DRIVER – MODEL NUMBER P232



RYOBI 18 VOLT IMPACT DRIVER – MODEL NUMBER P232

The model number will be found on a label attached to the motor housing. Always mention the model number in all correspondence regarding your **IMPACT DRIVER** or when ordering repair parts.

PARTS LIST

| KEY NO. | PART NUMBER | DESCRIPTION | QTY | KEY NO. | PART NUMBER | DESCRIPTION | QTY |
|---------|-------------|--|-----|---------|---------------------|-------------------------------------|-----|
| 1 | 200802001 | HOUSING ASSEMBLY | 1 | 16 | 690256001 | RETAINING RING | 1 |
| 2 | 940976337 | DATA LABEL | 1 | 17 | 610275001 | INTERNAL GEAR | 1 |
| 3 | 940114178 | LOGO LABEL | 1 | 18 | 901043001 | OIL SEAL | 1 |
| 4 | 660024044 | SCREW (M4 x 16 mm) | 6 | 19 | 660212045 | SCREW (M4 x 7 mm) | 2 |
| 5 | 660031011 | SCREW (M3.5 x 16 mm) | 2 | 20 | 6703001 | SPRING WASHER | 2 |
| 6 | 660436006 | SCREW (M4 x 25 mm) | 4 | 21 | 640766002 | INNER CASE | 1 |
| 7 | 690258001 | RETAINING RING | 1 | 22 | 230081017 | MOTOR and PINION ASSEMBLY | 1 |
| 8 | 690266001 | WASHER | 1 | 23 | 341079001 | FORWARD/REVERSE SELECTOR | 1 |
| 9 | 690261001 | SPRING | 1 | 24 | 270001407 | SWITCH ASSEMBLY | 1 |
| 10 | 690260003 | SLEEVE | 1 | 25 | 300823003 | MAGNET | 1 |
| 11 | 300639022 | GEAR CASE and SLEEVE BEARING ASSEMBLY | 1 | 26 | 560444002 | FOAM RUBBER | 2 |
| 12 | 690249001 | WASHER | 1 | 27 | 6320601 | BIT CLIP | 1 |
| 13 | 690268001 | STEEL BALL | 2 | 28 | 120090003 | BIT and BIT ADAPTOR | 1 |
| 14 | 690257016 | BIT HOLDER | 1 | | 987000404 | OPERATOR'S MANUAL (961022032) | 1 |
| 15 | 300640015 | CAM SHAFT and HAMMER ASSEMBLY | 1 | | 7-11-11 (REV:03) | | |