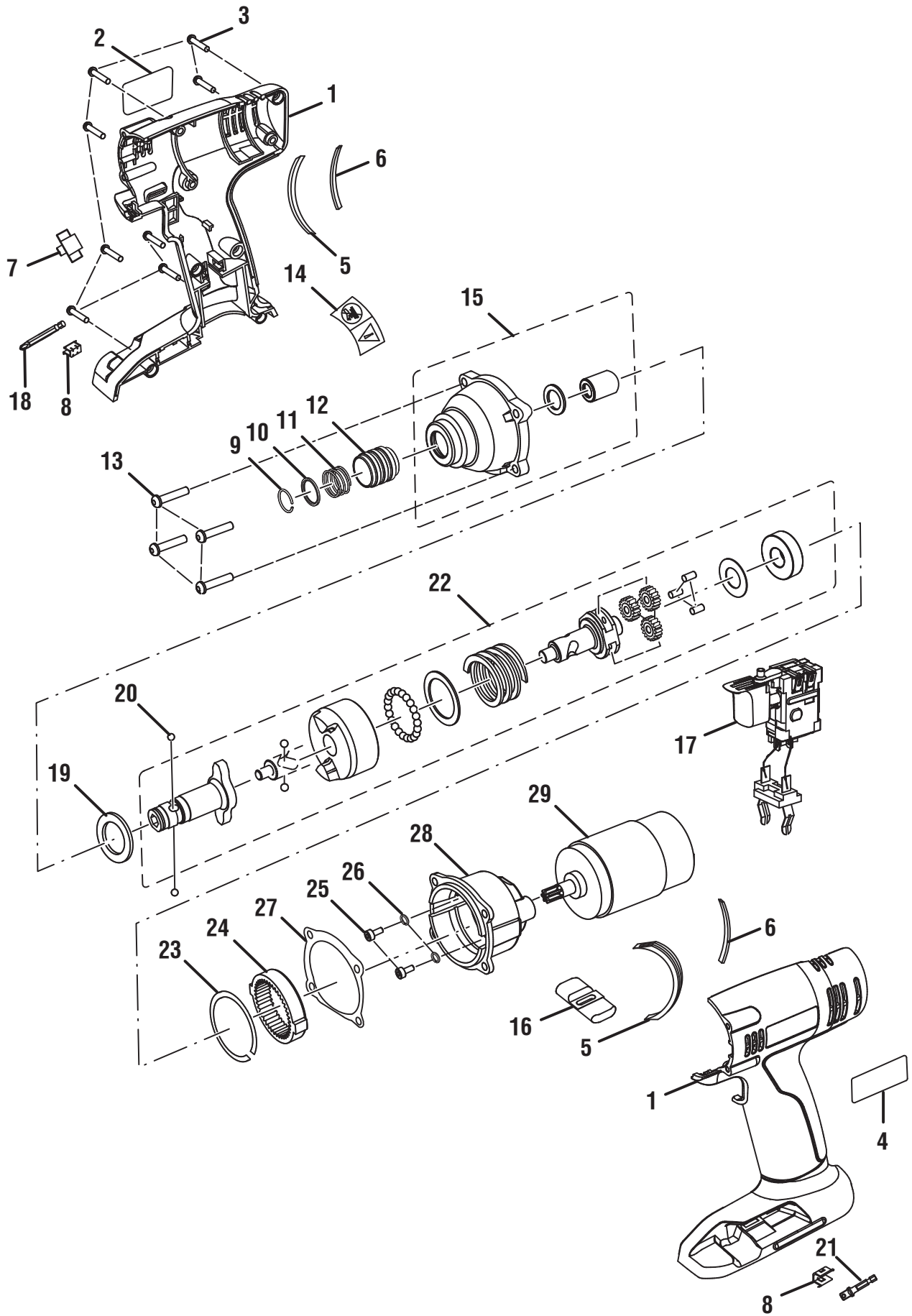


RYOBI 18 V IMPACT DRIVER – MODEL NUMBER P231



## RYOBI 18 V IMPACT DRIVER – MODEL NUMBER P231

The model number will be found on a label attached to the motor housing. Always mention the model number in all correspondence regarding your **Impact Driver** or when ordering repair parts.

### PARTS LIST

KEY NO.	PART NUMBER	DESCRIPTION	QTY.
1	200202407	HOUSING ASSEMBLY .....	1
2	940055114	DATA LABEL .....	1
3	6620805	SCREW (M4 x 16 mm) .....	8
4	940114106	LOGO LABEL .....	1
5	570300001	RUBBER CUSHION RING.....	2
6	570301001	RUBBER PAD.....	2
7	514029001	PLUG.....	1
8	630206007	BIT CLIP .....	2
9	690258001	RETAINING RING .....	1
10	690266001	WASHER (OD15.4 x ID12.4 x 1.0t).....	1
11	690261001	SPRING .....	1
12	690260003	SLEEVE .....	1
13	660176003	SCREW (M4 x 25 mm) .....	4
14	940230097	WARNING LABEL .....	1
15	220019006	GEAR CASE & SLEEVE BEARING ASSEMBLY .....	1
16	512572001	FORWARD/REVERSE SELECTOR.....	1
17	270001119	SWITCH ASSEMBLY .....	1
18	670802046	BIT (PH2) .....	1
19	690249001	WASHER (OD29 X ID19 x 2).....	1
20	690268001	BALL (Ø3.5 mm).....	2
21	690884005	3/8 in. SOCKET ADAPTOR .....	1
22	201005002	BIT HOLDER & CAM SHAFT & HAMMER ASSEMBLY .....	1
23	690256001	RETAINING RING .....	1
24	610275001	INTERNAL GEAR .....	1
25	660212032	SCREW (M4 x 7 mm) .....	2
26	6703001	SPRING WASHER.....	2
27	901043001	OIL SEAL.....	1
28	640766001	INNER CASE .....	1
29	230081017	MOTOR & PINION ASSEMBLY .....	1
	983000838	OPERATOR'S MANUAL (960052102)	
	3-13-13		
	(REV:06)		