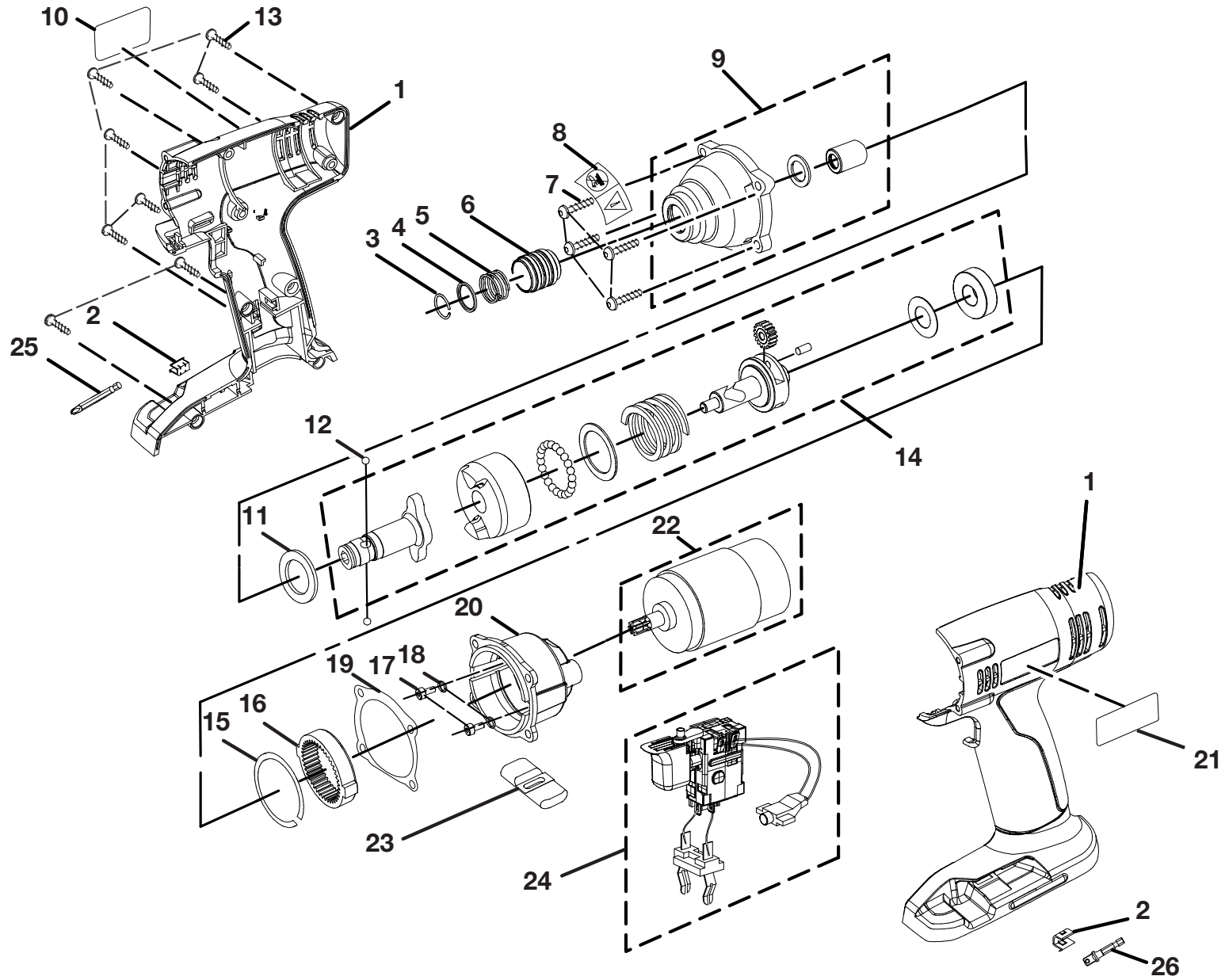


RYOBI 18 VOLT IMPACT DRIVER - MODEL NUMBER P230



RYOBI 18 VOLT IMPACT DRIVER – MODEL NUMBER P230

The model number will be found on a label attached to the motor housing. Always mention the model number in all correspondence regarding your **IMPACT-DRIVER** or when ordering repair parts.

PARTS LIST

KEY NO.	PART NUMBER	DESCRIPTION	QTY.	KEY NO.	PART NUMBER	DESCRIPTION	QTY.
1	200202246	Housing Assembly w/Label.....	1	15	690256001	Retaining Ring	1
2	630206007	Bit Clip (0.4t).....	2	16	610275001	Internal Gear.....	1
3	690258001	Retaining Ring	1	17	660212032	Screw (M4 x 7 mm)	2
4	690266001	Washer (OD. 15.4 x ID. 12.4 x 1.0t).....	1	18	6703001	Spring Washer	2
5	690261001	Spring	1	19	901043001	Oil Seal	1
6	690260003	Sleeve.....	1	20	640766001	Inner Case	1
7	660176003	Screw (M4 X 25 mm)	4	21	940114106	Logo Label.....	1
8	940230097	Warning Label	1	22	230081017	Motor and Pinion Assembly	1
9	300639008	Gear Case Assembly.....	1	23	512572001	Forward/Reverse Button	1
10	940976403	Data Label	1	24	270001293	Switch Assembly	1
11	690249001	Washer	1	25	670802046	Bit (#2 Phillips).....	1
12	690268001	Steel Ball	2	26	690884005	3/8 in. Socket Adaptor	1
13	660208005	Screw (M4 x 16 mm)	8		983000557	Operator's Manual (961067083)	
14	201005002	Bit Holder, Cam Shaft & Hammer Assembly	1		3-4-13		
					(Rev:07)		