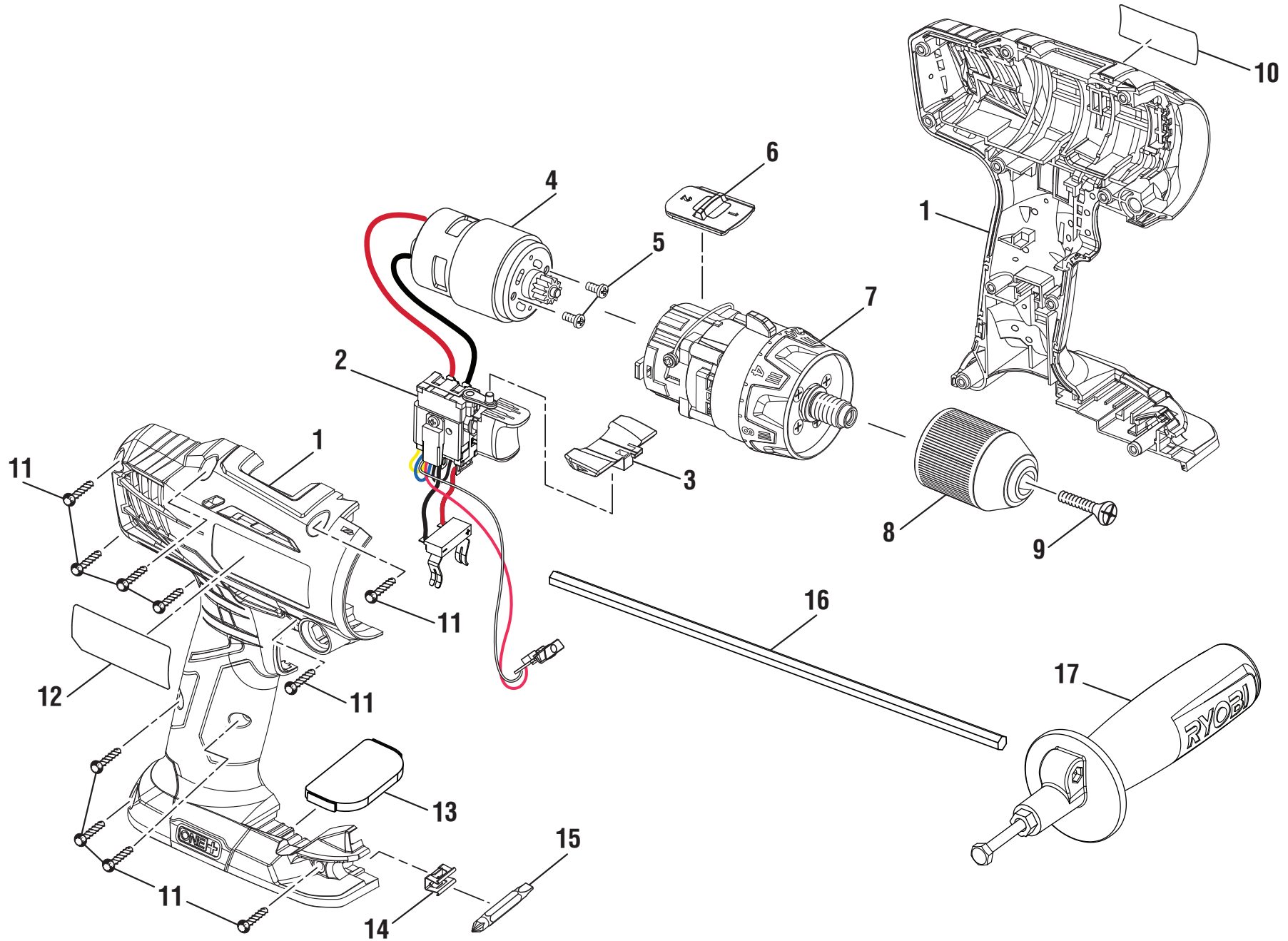


RYOBI
COMPACT 18 VOLT HAMMER DRILL
MODEL NUMBER P214
REPAIR SHEET

RYOBI COMPACT 18 VOLT HAMMER DRILL – MODEL NUMBER P214



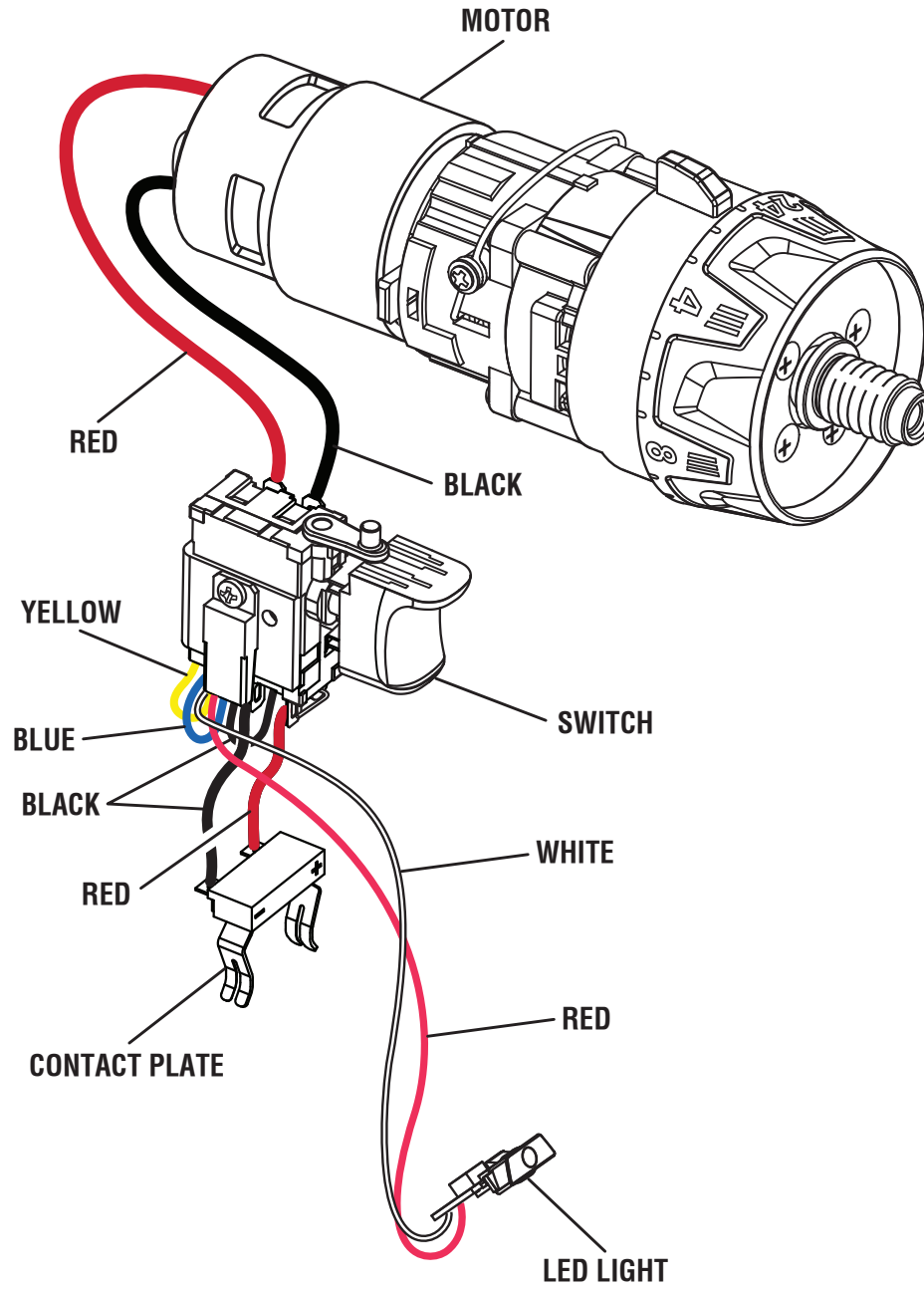
RYOBI COMPACT 18 VOLT HAMMER DRILL – MODEL NUMBER P214

The model number will be found on a label attached to the motor housing. Always mention the model number in all correspondence regarding your **HAMMER DRILL** or when ordering repair parts.

PARTS LIST

KEY NO.	PART NUMBER	DESCRIPTION	QTY	KEY NO.	PART NUMBER	DESCRIPTION	QTY
1	203494001	Housing Assembly.....	1	12	941121397	Data Label	1
2	203496001	Switch Assembly	1	13	303001015	Magnet (56 x 30 x 5 mm).....	1
3	520413002	Forward/Reverse Button	1	14	630206007	Bit Clip	1
4	203497001	Motor Assembly	1	15	6782045	Double Ended Bit (#2 Philips Head/#6 Slotted x 50 mm).....	1
5	T662103001	Screw (M4 x 8 mm).....	2	16	630412010	Depth Stop Rod.....	1
6	520414002	Gear Change Knob.....	1	17	303570001	Auxiliary Handle Assembly	1
7	203495001	Gear Box Assembly	1	NOT SHOWN:			
8	670764001	Chuck	1	991000307	Operator's Manual		
9	660134006	Screw (M6 x 18 mm).....	1	4-8-15			
10	940114178	Logo Label.....	1	(Rev:01)			
11	660206041	Screw (M3.5 x 14 mm).....	10				

RYOBI COMPACT 18 VOLT HAMMER DRILL – MODEL NUMBER P214



WIRING DIAGRAM