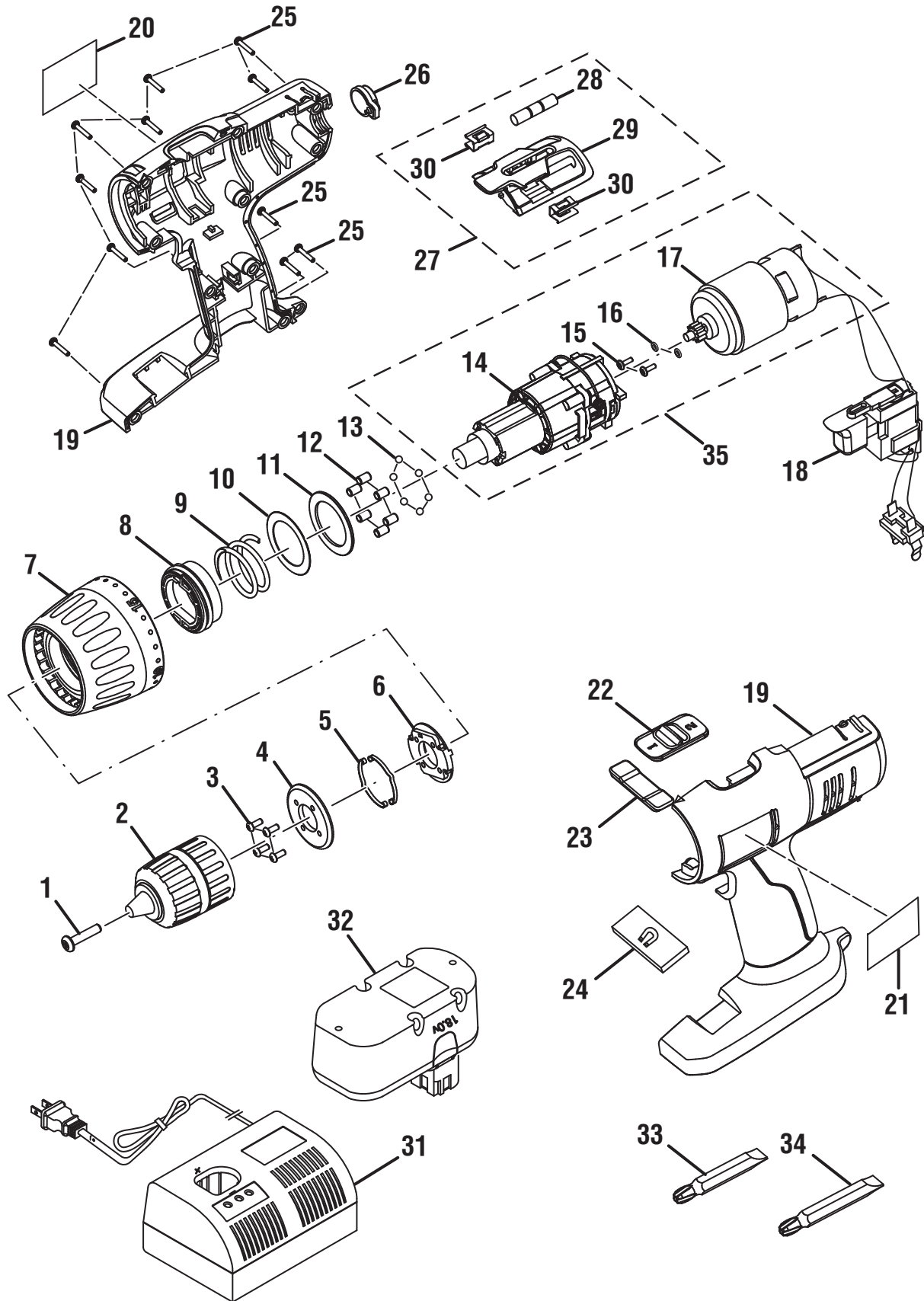


RYOBI 1/2 in. DRILL-DRIVER – MODEL NUMBER P206



RYOBI 1/2 in. DRILL-DRIVER – MODEL NUMBER P206

The model number will be found on a label attached to the motor housing. Always mention the model number in all correspondence regarding your **DRILL-DRIVER** or when ordering repair parts.

PARTS LIST

KEY NO.	PART NUMBER	DESCRIPTION	QTY
1	6612003	Screw (M5 x 18.5 mm)	1
2	690032025	Chuck.....	1
3	6620311	Screw (M3 x 20 mm)	4
4	6359801	Mounting Plate.....	1
5	6399201	Spring Plate.....	2
6	5434601	Spring Holder	1
7	5474801	Clutch Cap Assembly	1
8	5437201	Sleeve	1
9	6843401	Torque Control Spring.....	1
10	6854701	Clutch Washer.....	1
11	6710501	Clutch Washer.....	1
12	6833802	Pin	6
13	6721901	Ball	6
14	2200594	Gear Box Assembly	1
15	6621202	Screw (M4 X 10 mm, Pan Hd.).....	2
16	6703001	Spring Washer.....	2
17	230033153	Motor Assembly	1
18	270001453	Switch Assembly.....	1
19	200202515	Housing Assembly	1
20	940115116	Data Label.....	1
21	940054118	Logo Label	1
22	540753002	Two Speed Gear Train Knob	1
23	5475201	Forward/Reverse Selector	1
24	6000303	Magnet.....	1
25	6620614	Screw (M3.5 x 14 mm)	11
26	304152003	Rear Bubble Level.....	1
27	300034004	Bit Storage and Level Assembly (Inc. Key Nos. 28-30)	1
28	304828001	Level Assembly	1
29	370754001	Bit Storage	1
30	630206007	Bit Clip	2
31	130224053	Battery Pack.....	1
32	140237023	Charger Assembly.....	1
33	6782044	Double Ended Bit (#3 Phillips Hd. & #7 Slotted x 50 mm)	1
34	6782045	Double Ended Bit (#2 Phillips Hd. & #6 Slotted x 50 mm)	1
35	200293084	Motor and Gear Train Assembly (Inc. Key Nos. 14-17).....	1
	Not Shown:		
	983000815	Operator's Manual (960223664)	
	3-4-13		
	(Rev:09)		