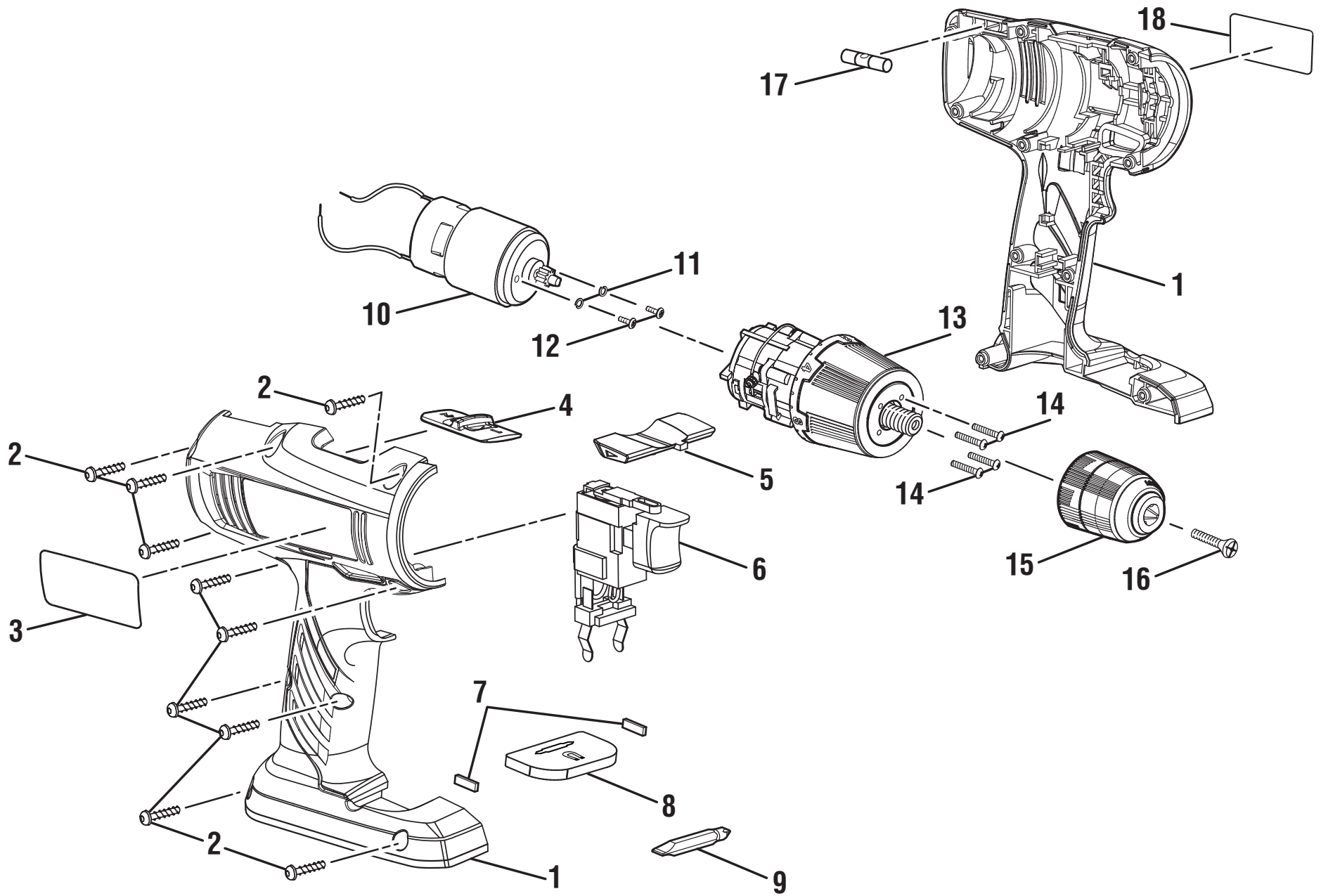


RYOBI 3/8 in. TWO SPEED DRILL-DRIVER – MODEL NUMBER P205G



RYOBI 3/8 in. TWO SPEED DRILL-DRIVER – MODEL NUMBER P205G

The model number will be found on a label attached to the motor housing. Always mention the model number in all correspondence regarding your **DRILL-DRIVER** or when ordering repair parts.

PARTS LIST

| KEY NO. | PART NUMBER | DESCRIPTION | QTY |
|---------|-------------|---|-----|
| 1 | 200773003 | Housing Assembly | 1 |
| 2 | 660031012 | Screw (M3.5 x 14 mm) | 10 |
| 3 | 940488348 | Data Label..... | 1 |
| 4 | 516318003 | Gear Change Button..... | 1 |
| 5 | 517901002 | Forward/Reverse Selector | 1 |
| 6 | 270001456 | Switch Assembly | 1 |
| 7 | 560444002 | Foam Rubber..... | 2 |
| 8 | 300823007 | Magnet..... | 1 |
| 9 | 6782045 | Double Ended Bit (#3 Phillips Hd. & 7 mm Slotted)..... | 1 |
| 10 | 230033141 | Motor and Pinion Assembly..... | 1 |
| 11 | 670030004 | Spring Washer | 2 |

| KEY NO. | PART NUMBER | DESCRIPTION | QTY |
|---------|-------------|--|-----|
| 12 | 6621202 | Screw (M4 x 10 mm)..... | 2 |
| 13 | 200782003 | Clutch Cap and Gear Train Assembly | 1 |
| 14 | 660203059 | Screw (M3 x 20 mm)..... | 4 |
| 15 | 690033091 | Chuck | 1 |
| 16 | 6612003 | Screw (M5 x 18.5 mm, Left Handed)..... | 1 |
| 17 | 3000909 | Level Assembly..... | 1 |
| 18 | 940114178 | Logo Label..... | 1 |

Not Shown:

| | | |
|-----------|-------------------------|---|
| 988000655 | Operator's Manual | 1 |
| 9-7-11 | | |
| (Rev:02) | | |