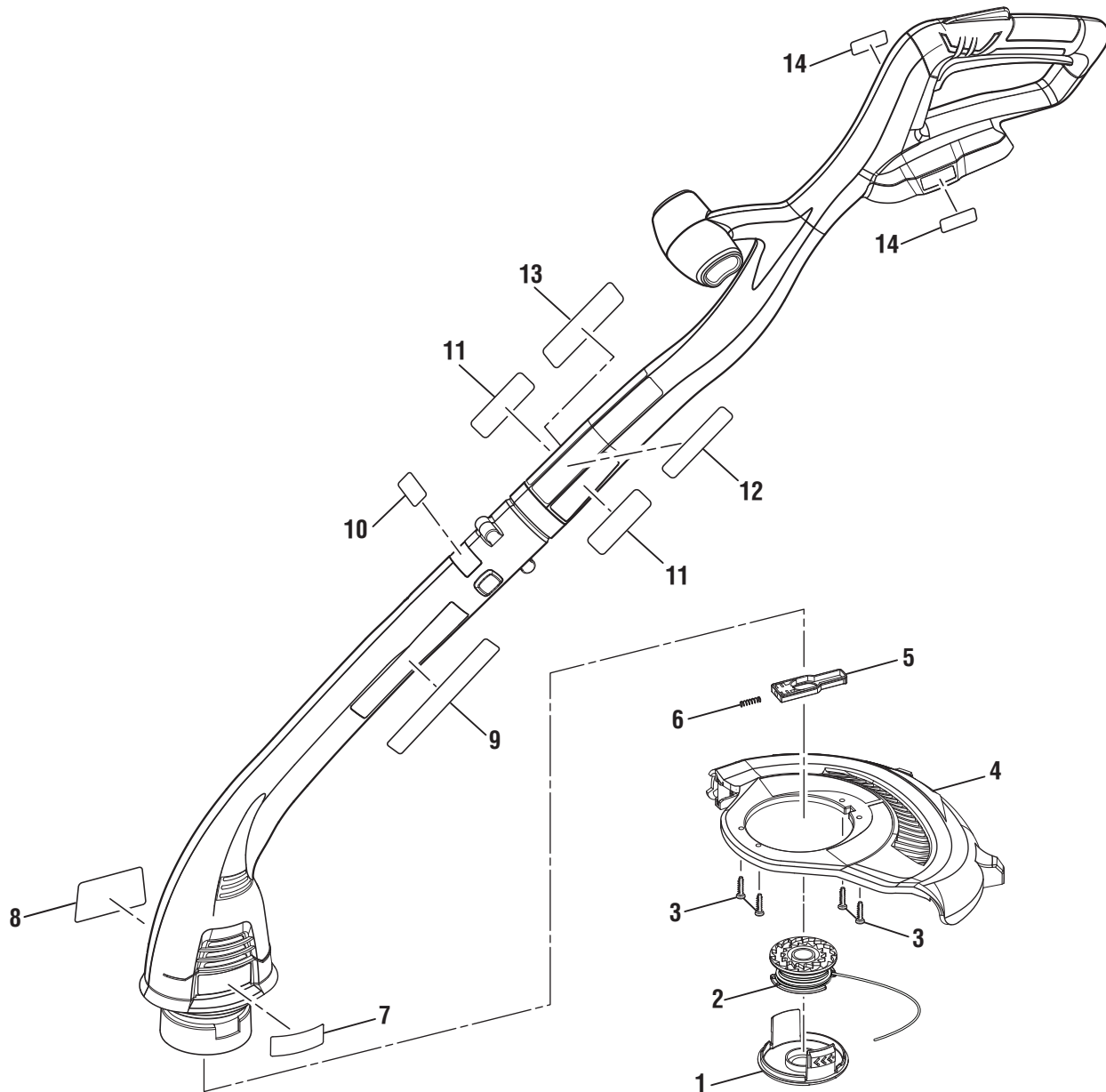


RYOBI P2003 18 VOLT STRING TRIMMER

The model number will be found on a label attached to the motor housing. Always mention the model number in all correspondence regarding your **STRING TRIMMER** or when ordering replacement parts.



PARTS LIST

Key Part No.	Part Number	Description	Qty.	Key Part No.	Part Number	Description	Qty.
1	522994001	Spool Cap (AC14HC).....	1	11	941655007	Logo Label (Handle)	2
2	310917001	Spool w/Line (AC14RSL).....	1	12	940657108	Icon Label.....	1
3	660208055	Screw (M4 x 12 mm, Pan Hd.)...	4	13	941791002	Warning Label (French/Spanish).....	1
4	311033001	Guard with Blade Assembly	1	14	941759001	18V Lithium Ion Label.....	2
5	310918001	Slider Assembly.....	1			NOT SHOWN	
6	679034001	Compression Spring.....	1		987000432	Battery/Charger Correlation Sheet	
7	941760001	Logo Label (Motor Housing).....	1		990000360	Operator's Manual	
8	941588033	Data Label	1		4-15-13		
9	941761001	Easy Edge Label.....	1		(Rev:01)		
10	940820002	Pivoting Arrow Label	1				