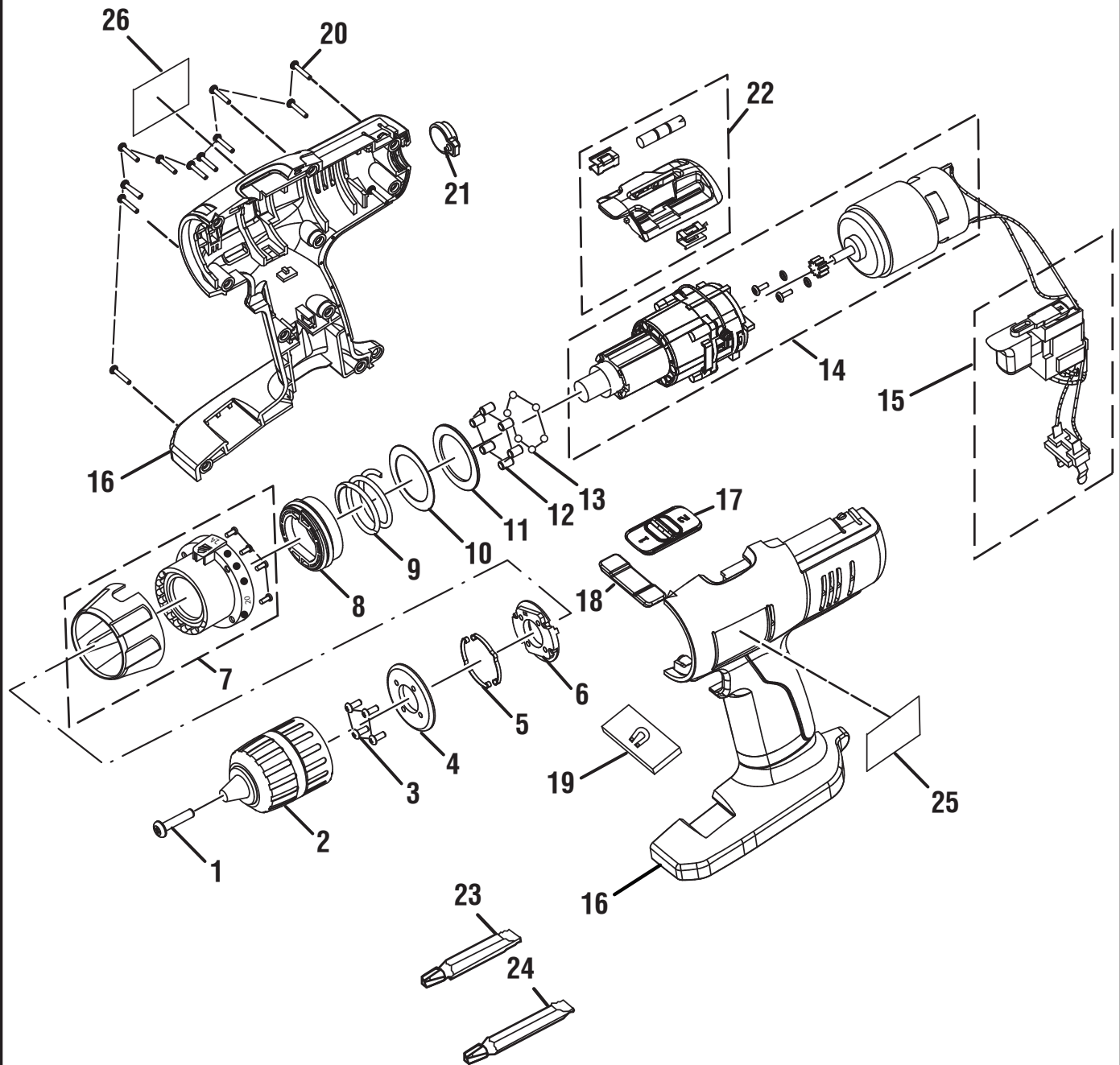


RYOBI 1/2 in. (13 mm) CORDLESS DRILL - MODEL NUMBER P200



RYOBI 1/2 in. (13 mm) CORDLESS DRILL – MODEL NUMBER P200

The model number will be found on a label attached to the motor housing. Always mention the model number in all correspondence regarding your **Drill** or when ordering repair parts.

PARTS LIST

Key No.	Part Number	Description	Qty
1	6613402 6612003	Screw (M6 x 1.0 x 27 mm, Ni-Plate).....1 Screw (M5 x 18.5 mm) (Used if Date Code Ends with "X").....1	
2	690032012	Chuck (1/2 in.)1	
3	6620311	Screw (M3 x 20 mm)4	
4	6359801	Mounting Plate1	
5	6399201	Spring Plate.....2	
6	5434601	Spring Holder1	
7	300155029	Clutch Cap Assembly.....1	
8	5437201	Sleeve.....1	
9	6843401	Torque Spring1	
10	6854701	Clutch Washer1	
11	6710501	Clutch Washer1	
12	6833802	Pin6	
13	6721901	Ball6	
14	200293016	Motor w/Gear Train Assembly.....1	
15	270016075	Switch Assembly.....1	
16	200202514	Housing Assembly1	
17	540753002	Two Speed Gear Train Knob1	
18	5475201	Forward/Reverse Selector.....1	
19	6000303	Magnet1	
20	6620614	Screw (M3.5 x 14 mm)11	
21	304152003	Rear Bubble Level.....1	
22	300034004	Bit Storage and Level Assembly1	
23	6782044	Double Ended Bit, (#3 Phillips Hd. & #7 Slotted)1	
24	6782045	Double Ended Bit, (#2 Phillips Hd. & #6 Slotted)1	
25	940237064	Data Label1	
26	940203020	Logo Label1	
	Not Shown:		
	130255004	Battery.....1	
	130224053	Battery.....1	
	140237023	Charger.....1	
	983000510	Operator's Manual (960223433)	
	2-22-13 (Rev:05)		