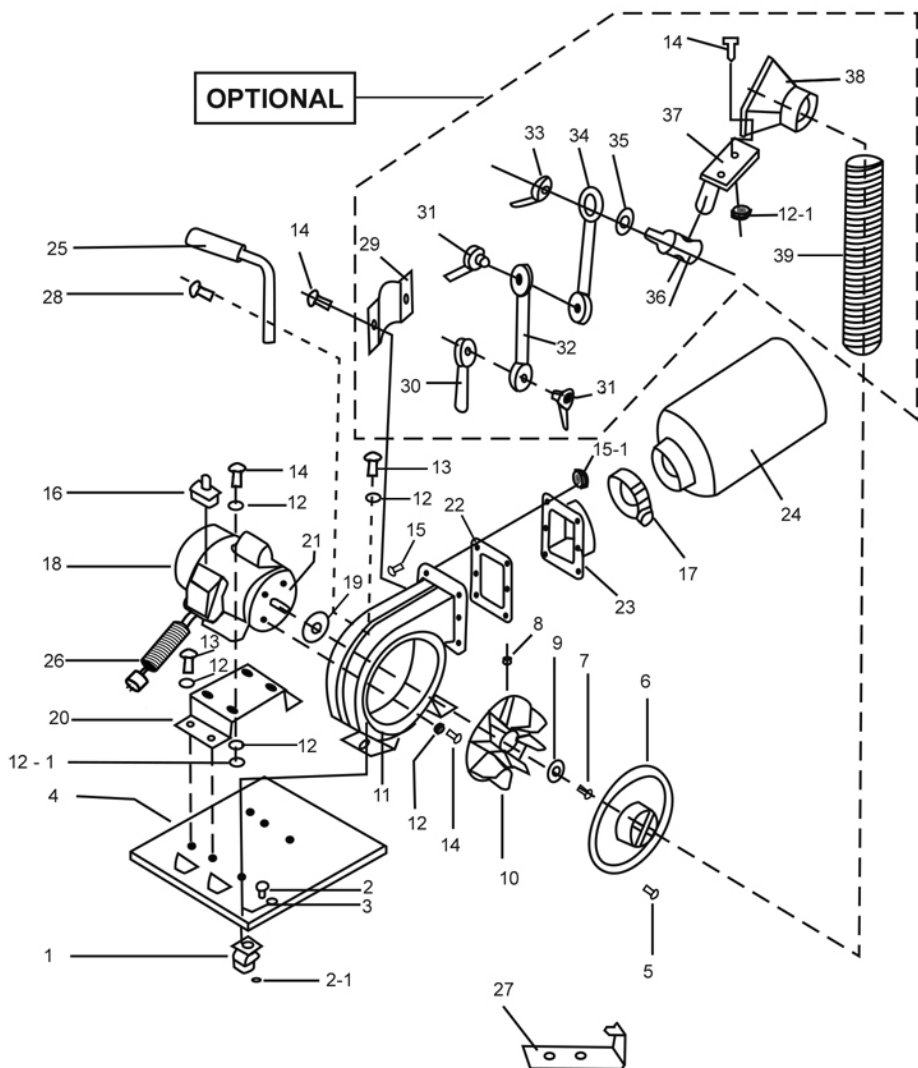


## PARTS DIAGRAM



**PARTS LIST**

S.No.	Description	Qty.	S.No.	Description	Qty.
1	Caster Wheel	4	19	Gasket	1
2	Pan Head Screw	16	20	Motor Support Plate	1
2 – 1	Hex. Nut	16	21	Key	1
3	Spring Washer	16	22	Gasket	1
4	Base	1	23	Outlet	1
5	Pan Head Screw	12	24	Dust Bag	1
6	Inlet Cover	1	25	Handle	1
7	Left Hand Cap Screw	1	26	Power Cord	1
8	Set Screw	2	27	Hooks	2
9	Washer	1	28	Screw	2
10	Impeller	1	29	Check Post	1
11	Impeller Housing	1	30	Sustain Tube	1
12	Washer	18	31	Knob	2
12 – 1	Hex. Nut	6	32	Sustain Tube	1
13	Hex. Bolt	6	33	Knob	1
14	Hex. Bolt	12	34	Sustain Tube	1
15	Hex. Nut	6	35	Washer	1
15 – 1	Hex. Bolt	6	36	Shaft	1
15 – 2	Washer	6	37	Fixed Rod	1
16	Switch	1	38	Square Meshed Inlet	1
17	Dust Bag Clamp	1	39	Hose	1
18	Motor	1			